

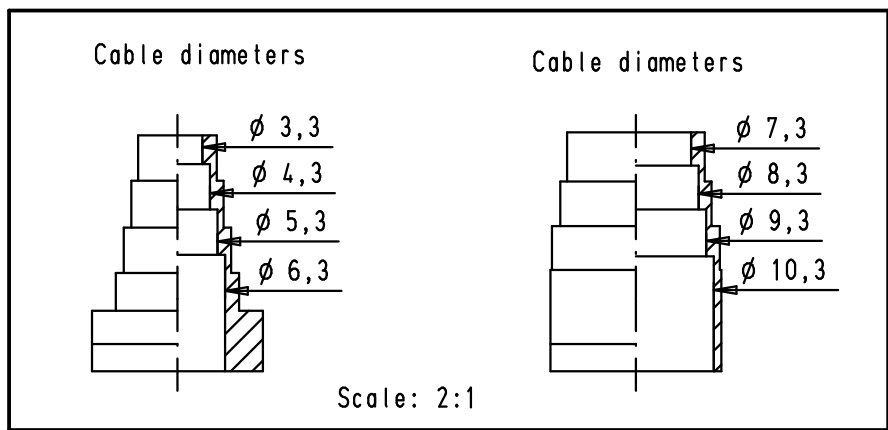
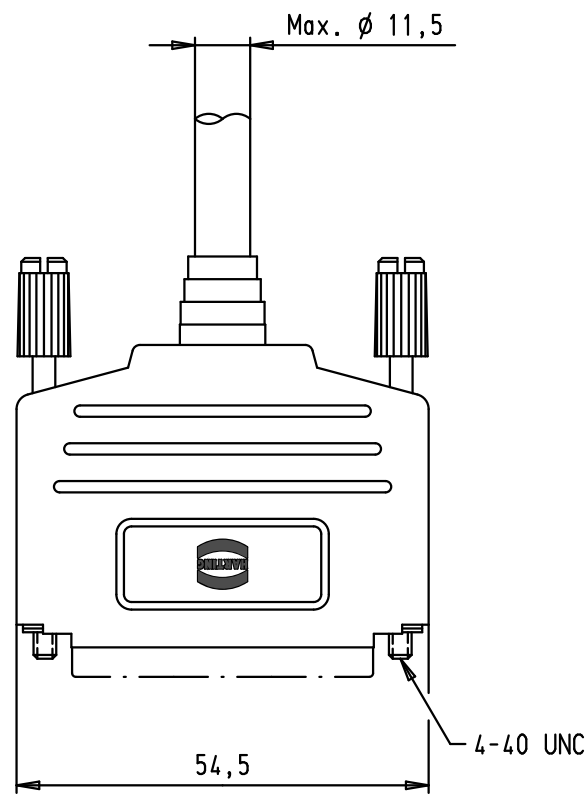
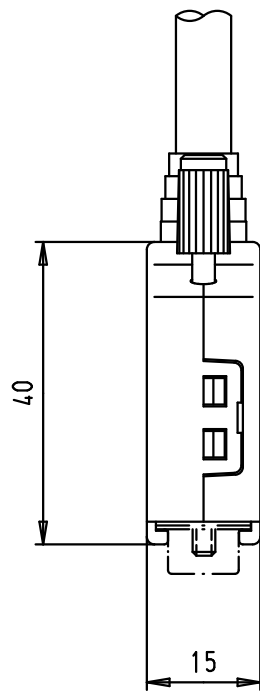
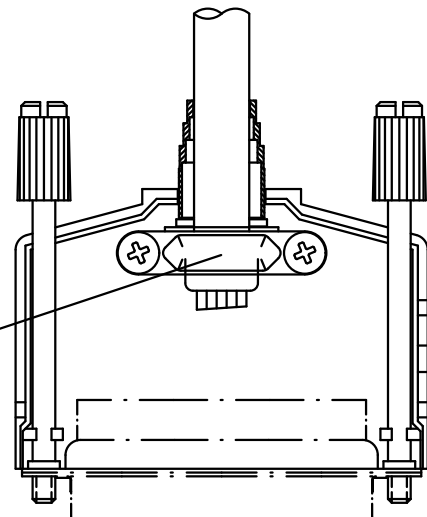
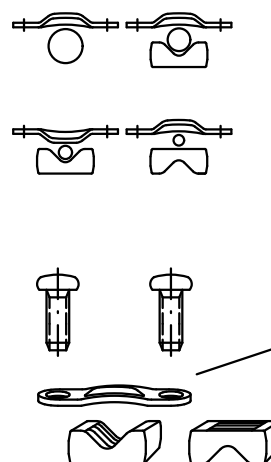
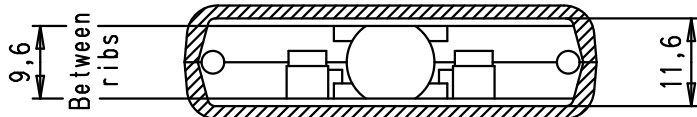
5

4

3

2

1



D

C

B

A

				Dot.	Name	<p>All Dim. in mm Orig. Size DIN A 4</p>	D-Sub, top entry hood with knurled screws, 25 poles, thermoplastic metallized	Maßstab/ Scale
			Detail.	28/03/02	CV			1:1
			Insp.					2:1
			Stand.					
34784	12/02/08	PK	HARTING EURL F-95972 Paris				TB 09 67 025 0425	Blatt/ Page
29760	28/03/02	CV						1 / 1
Mod.	Dot.	Name					Sub.	