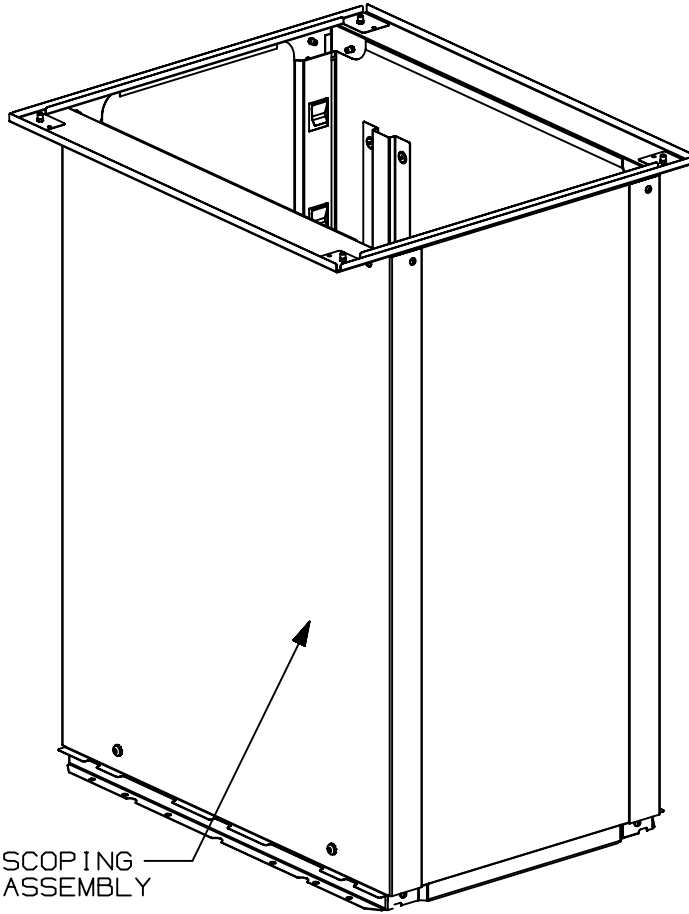


THIS COPY IS PROVIDED ON A RESTRICTED BASIS AND IS NOT TO BE USED IN ANY WAY DETRIMENTAL TO THE INTERESTS OF PANDUIT CORP.

NOTES:

1. VISIT OUR ONLINE CATALOG AT WWW.PANDUIT.COM FOR A LIST OF USE WITH THIS PRODUCT.
2. PRIMARY DIMENSIONS ARE IN MILLIMETERS (mm) DIMENSIONS IN PARENTHESES ARE IN INCHES (IN).
3. PARTS SUPPLIED:
 - 2 - BOTTOM SIDE PANELS
 - 2 - TOP SIDE PANELS
 - 1 - TOP FRONT PANEL
 - 1 - TOP REAR PANEL
 - 2 - BOTTOM FRONT AND REAR PANELS
 - 2 - HORIZONTAL ADJUSTMENT BRACKETS
 - 1 - HARDWARE KIT



| PANDUIT PART NO. | HEIGHT | FOR USE WITH CABINET SIZE (WIDTH X DEPTH) |
|------------------|--------------------------------|-------------------------------------------|
| C2VED06I1626XX | 406mm [16"] - 660mm [26"] | 600mm X 1200mm |
| C2VED06I2638XX | 660mm [26"] - 965mm [38"] | 600mm X 1200mm |
| C2VED06I3866XX | 965mm [38"] - 1676mm [66"] | 600mm X 1200mm |
| C2VED07I1626XX | 406mm [16"] - 660mm [26"] | 700mm X 1200mm |
| C2VED07I2638XX | 660mm [26"] - 965mm [38"] | 700mm X 1200mm |
| C2VED07I3866XX | 965mm [38"] - 1676mm [66"] | 700mm X 1200mm |
| C2VED08I1626XX | 406mm [16"] - 660mm [26"] | 800mm X 1200mm |
| C2VED08I2638XX | 660mm [26"] - 965mm [38"] | 800mm X 1200mm |
| C2VED08I3866XX | 965mm [38"] - 1676mm [66"] | 800mm X 1200mm |

*XX = COLOR
 B1 = BLACK
 W1 = WHITE
 G1 = GREY



| REV | DATE | BY | CHK | APR | DESCRIPTION | ECN |
|-----|----------|------|------|-----|-------------------------------------------------------------------------------------------------------|-------------|
| 01B | 11-13-19 | LEE | RAMA | SJP | D. ADDED GREY TO PART NO. COLOR CODE (SHT 1) | V09002DW/00 |
| 01A | 02/11/13 | ERK | | | C. UPDATED PARTS SUPPLIED LIST B. ADDED SHEET 4 A. UPDATED TO REFLECT NEW GEOMETRY AND HARDWARE | 12V285ZV |
| 00A | 10/16/12 | PJST | BKR | BKR | RELEASED TO PRODUCTION | 12V285ZV |

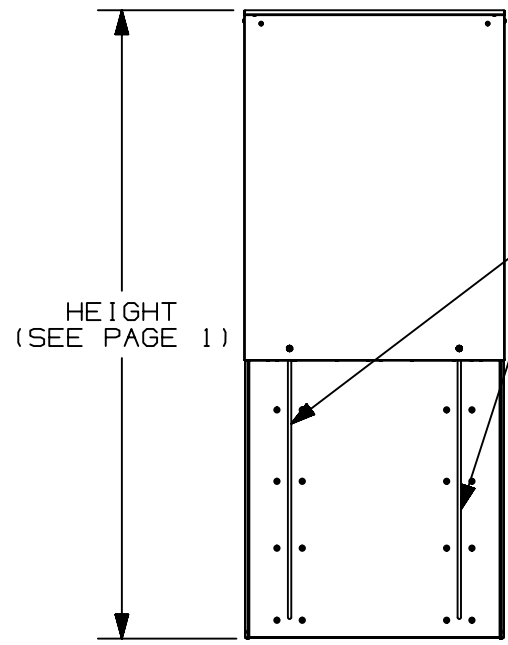
| | | | | | |
|-------------------------------------------------------------------|--|--|-----------------|--|--|
| NET-CONTAIN VERTICAL EXHAUST DUCT FOR N OR S TYPE CABINETS | | | | | |
| CUSTOMER DRAWING | | | | | |
| ITEM REVISION NAME | | | 12V285ZV/01 | | |
| DATASET FILE NAME | | | 12V285ZV_DC/01B | | |
| DRAWING NUMBER: | | | 12V285ZV | | |
| MATERIAL: | | | N/A | | |
| DRAWN BY | | | PJST | | |
| DATE | | | 10/16/12 | | |
| CHK | | | BKR | | |
| SCALE | | | N/A | | |
| SHT 1 OF 4 | | | A | | |

D10100DA/12

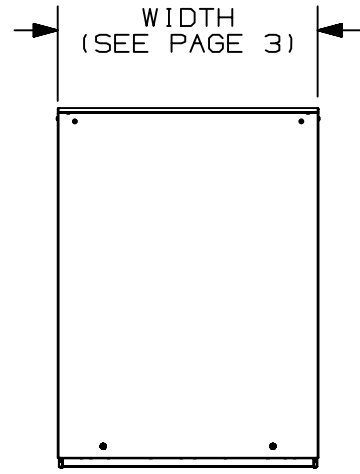
2

1

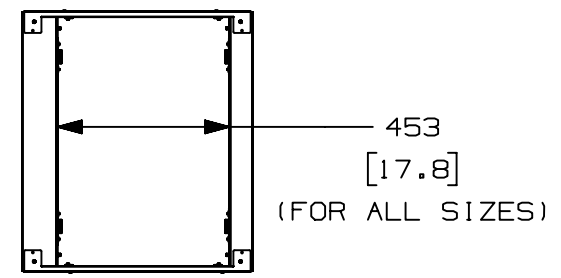
THIS COPY IS PROVIDED ON A RESTRICTED BASIS AND IS NOT TO BE USED IN ANY WAY DETRIMENTAL TO THE INTERESTS OF PANDUIT CORP.



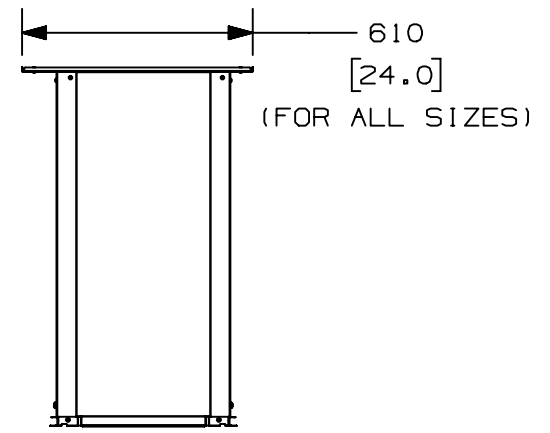
FRONT VIEW (EXPANDED)



FRONT VIEW (COLLAPSED)



TOP VIEW



SIDE VIEW



A

A

D10100DA/12

| 01B | 11-13-19 | LEE | RAMA | SJP | SEE SHEET 1 OF 4 FOR REVISIONS | | | V09002DW/00 | |
|-----|----------|-----|------|-----|--------------------------------|-----|--|-------------|--|
| -- | --- | -- | | | SEE SHEET 1 OF 4 FOR REVISIONS | | | 12V285AP | |
| REV | DATE | BY | CHK | APR | DESCRIPTION | ECN | | | |

| | | | | | | | | | | | |
|------------------------------------------------------------|----------|-----|-------|--|--|--|--|--|--|------------|------|
| TITLE | | | | | | | | | | | |
| NET-CONTAIN VERTICAL EXHAUST DUCT FOR N OR S TYPE CABINETS | | | | | | | | | | | |
| CUSTOMER DRAWING | | | | | | | | | | | |
| ITEM REVISION NAME | | | | | | | | | | | |
| 12V285ZV/01 | | | | | | | | | | | |
| DATASET FILE NAME | | | | | | | | | | | |
| 12V285ZV_DC/01B | | | | | | | | | | | |
| MATERIAL: | | | | | | | | | | | |
| N/A | | | | | | | | | | | |
| DRAWING NUMBER: | | | | | | | | | | | |
| 12V285ZV | | | | | | | | | | | |
| DRAWN BY | DATE | CHK | SCALE | | | | | | | SHT 2 OF 4 | SIZE |
| PJST | 10/16/12 | BKR | N/A | | | | | | | | A |

2

1

2

1

THIS COPY IS PROVIDED ON A RESTRICTED BASIS AND IS NOT TO BE USED IN ANY WAY DETRIMENTAL TO THE INTERESTS OF PANDUIT CORP.

| PANDUIT PART NO. | WIDTH | WEIGHT |
|------------------|-----------------|-------------------------|
| C2VED06I1626XX | 588mm [23.1"] | 12.13 Kg (26.7 LBS) EA. |
| C2VED06I2638XX | 588mm [23.1"] | 17.35 Kg (38.2 LBS) EA. |
| C2VED06I3866XX | 588mm [23.1"] | 28.33 Kg (62.4 LBS) EA. |
| C2VED07I1626XX | 688mm [27.1"] | 13.10 Kg (28.8 LBS) EA. |
| C2VED07I2638XX | 688mm [27.1"] | 18.64 Kg (41.0 LBS) EA. |
| C2VED07I3866XX | 688mm [27.1"] | 30.48 Kg (67.2 LBS) EA. |
| C2VED08I1626XX | 788mm [31.0"] | 14.07 Kg (31.0 LBS) EA. |
| C2VED08I2638XX | 788mm [31.0"] | 20.00 Kg (44.0 LBS) EA. |
| C2VED08I3866XX | 788mm [31.0"] | 32.72 Kg (72.1 LBS) EA. |

A

| REV | DATE | BY | CHK | APR | DESCRIPTION | ECN |
|-----|----------|-----|------|-----|--------------------------------|-------------|
| 01B | 11-13-19 | LEE | RAMA | SJP | SEE SHEET 1 OF 4 FOR REVISIONS | V09002DW/00 |
| -- | --- | -- | | | SEE SHEET 1 OF 4 FOR REVISIONS | 12V285AP |

| | | | | |
|------------------------------------------------------------------------------------------------|------------------|----------------|-----------------------------|------------|
| TITLE NET-CONTAIN VERTICAL EXHAUST DUCT FOR N OR S TYPE CABINETS CUSTOMER DRAWING | | | | |
| ITEM REVISION NAME 12V285ZV/01 | | PANDUIT | MATERIAL: N/A | |
| DATASET FILE NAME 12V285ZV_DC/01B | | | DRAWING NUMBER: 12V285ZV | |
| DRAWN BY PJST | DATE 10/16/12 | CHK BKR | SCALE N/A | SHT 3 OF 4 |
| | | | | SIZE A |

2

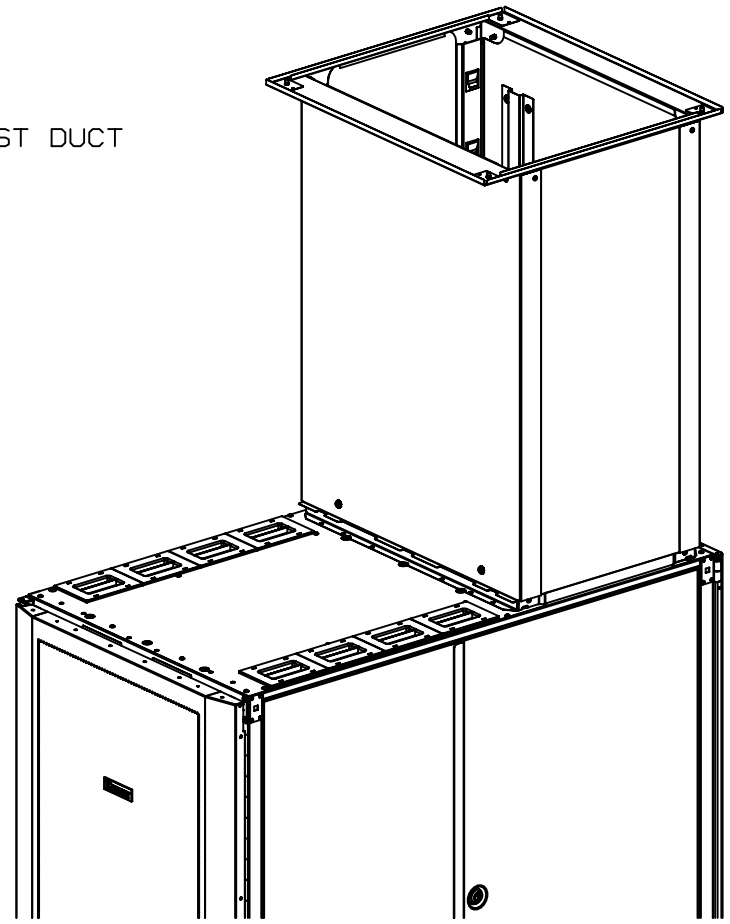
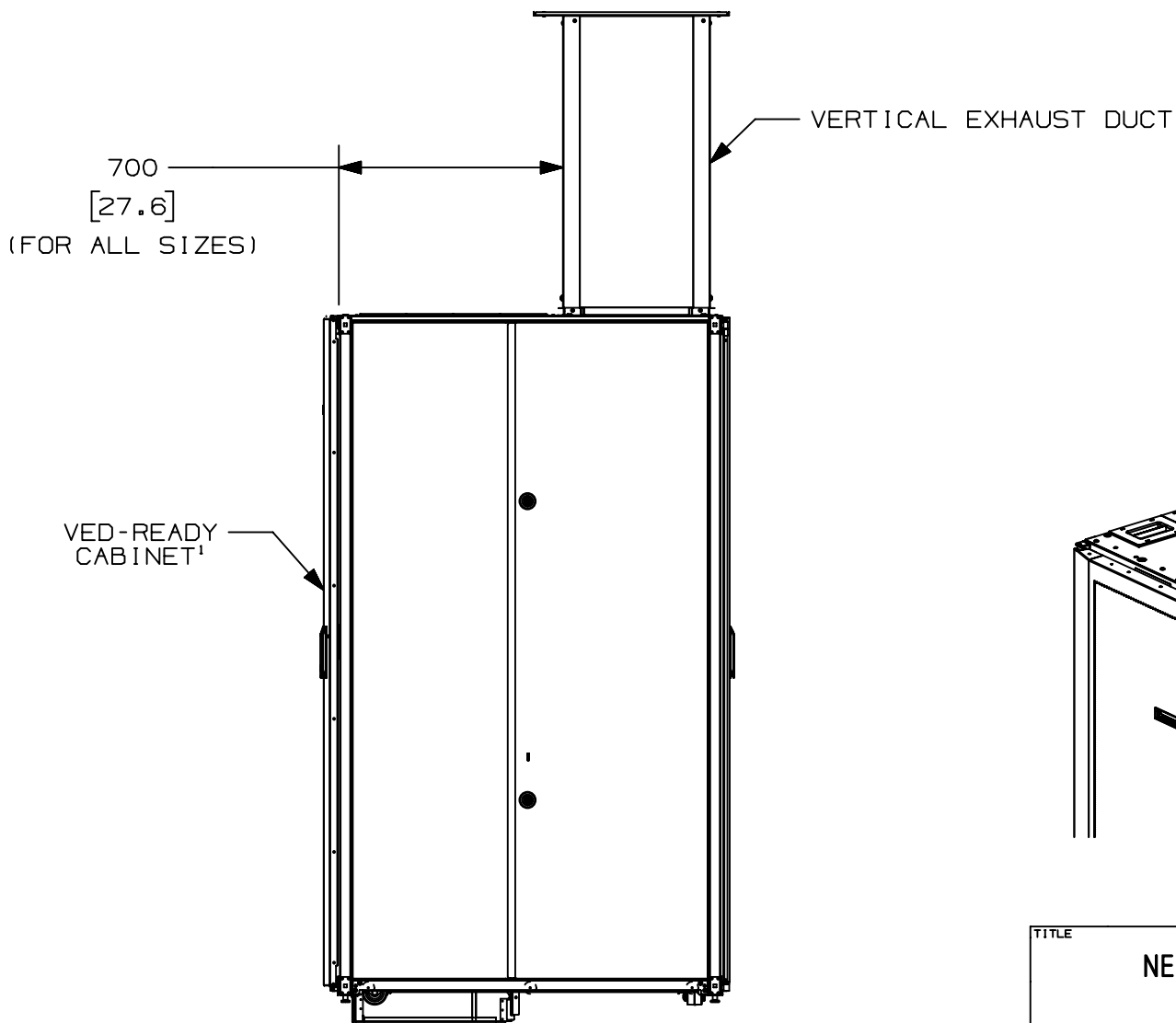
1

D10100DA/12

2

1

THIS COPY IS PROVIDED ON A RESTRICTED BASIS AND IS NOT TO BE USED IN ANY WAY DETRIMENTAL TO THE INTERESTS OF PANDUIT CORP.



1. THE NET-CONTAIN™ VERTICAL EXHAUST DUCT CAN ONLY BE USED WITH A VED-READY TYPE CABINET (PURCHASED SEPARATELY).

| | | | | | | | | | |
|---------------------------------------------------------------|----------|-----|-------|-----------------------|--------------------------------|--|--|--|-------------|
| TITLE | | | | | | | | | |
| NET-CONTAIN VERTICAL EXHAUST DUCT FOR N OR S TYPE CABINETS | | | | | | | | | |
| CUSTOMER DRAWING | | | | | | | | | |
| ITEM REVISION NAME | | | | | 12V285ZV/01 | | | | |
| DATASET FILE NAME | | | | | 12V285ZV_DC/01B | | | | |
| MATERIAL ¹ | | | | | N/A | | | | |
| DRAWING NUMBER ¹ | | | | | 12V285ZV | | | | |
| DRAWN BY | DATE | CHK | SCALE | MATERIAL ¹ | | | | | |
| PJST | 10/16/12 | BKR | N/A | SHT 4 OF 4 | | | | | |
| REV | DATE | BY | CHK | APR | DESCRIPTION | | | | ECN |
| 01B | 11-13-19 | LEE | RAMA | SJP | SEE SHEET 1 OF 4 FOR REVISIONS | | | | V09002DW/00 |
| -- | --- | -- | | | SEE SHEET 1 OF 4 FOR REVISIONS | | | | 12V285AP |
| SIZE | | | | | | | | | |
| A | | | | | | | | | |

D10100DA/12

2

1