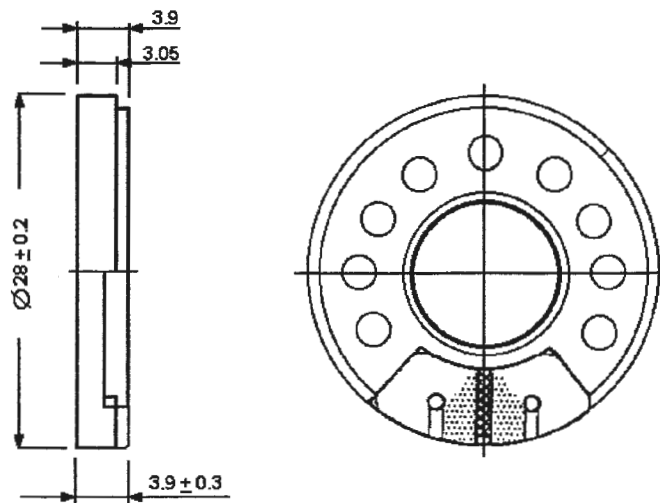


INTERVOX Speakers from International C

215 McCormick Drive, Bohemia, NY 11716 (631) 952-9595 (631) 952-9597 www.icc107.com

ICC Part No.	S100RMSS
1. Dimension	Outer Diameter: 28mm Baffle Opening: 26.4 mm
	Height: Refer to Drawing Weight: 2.9 grams
2. Magnet	Material: Rare Earth Size: 9.5 Ø X 1.5 mm
3. Nominal Impedance	Impedance: $8 \Omega \pm 15\%$ At 1500 Hz
4. Power Rating	Normal: 100 mW Maximum: 200 mW
5. Lowest Resonant Frequency	540 ± 150 Hz
6. Output Sound Pressure Level (S.P.L.)	78 ± 3 dB / 0.1 W • 0.5 M
	Average at 800, 1K, 1.2K, 1.5K Hz
7. Frequency Range	350 ~ 5000 Hz Average S.P.L. - 10 dB
8. Distortion	10% Maximum at 500 Hz 100 mW
9. Abnormal Sound Test	Must Be Normal Tested by 0.89 Volts Sine Wave
10. Load Test	White Noise With Weighted Filter 0.89 Volts(RMS) 24 Hours
11. Polarity	Diaphragm Shall Move Forward When Apply a Positive DC
	Current To The + (or marked) Terminal



Unit: mm

Housing Material: ABS

Tolerance ± 0.2

INTERVOX Speakers from International ©

Measuring Object: S100RMSS Measuring Condition: 0.89 V 0.1 W 0.5 M
Level Range: _____ dB Zero Level (Fundamental) : _____ dB X Axis Speed: _____ mm/sec
Impedance Range: _____ Ω Zero Level (Harmonic) : _____ dB Y Axis Speed: _____ mm/sec

