

()

()

() Amphenol FCI

()

()

()

AA	NO. OF POSITIONS
02	2X10
04	2X20
06	2X30
08	2X40
10	2X50
12	2X60
14	2X70
16	2X80
18	2X90
20	2X100

NOTE 10

E	PACKAGING
0	TUBE WITHOUT METAL CAP
2	T&R WITH METAL CAP
9	TUBE WITH METAL CAP
6	T&R WITH KAPTON TAPE
7	T&R WITH PLASTIC CAP
Q	T&R WITHOUT CAP

NOTE 10

NOTE 10

NOTE 11

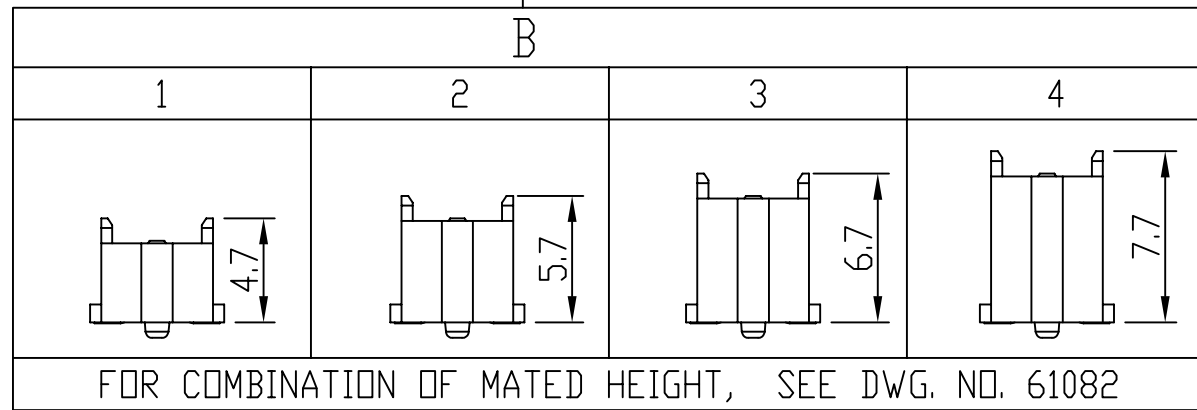
NOTE 10

G	DATE CODE
/	STANDARD, NOT PRINT D/C
P	PRINT DATE CODE

W	TRANSPORT CODE
/	NOT MANDATORY
W	FOR OCEAN SHIPPING

V	MANDATORY CODE
/	STANDARD, NOT MANDATORY P/N
V	ONLY FOR DEDICATED CUSTOMER
H	ONLY FOR DEDICATED CUSTOMER
L	ONLY FOR DEDICATED CUSTOMER

D	PEG
0	YES
2	NO



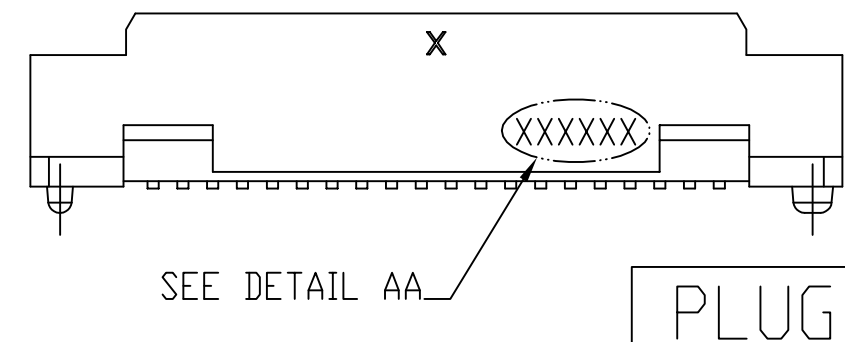
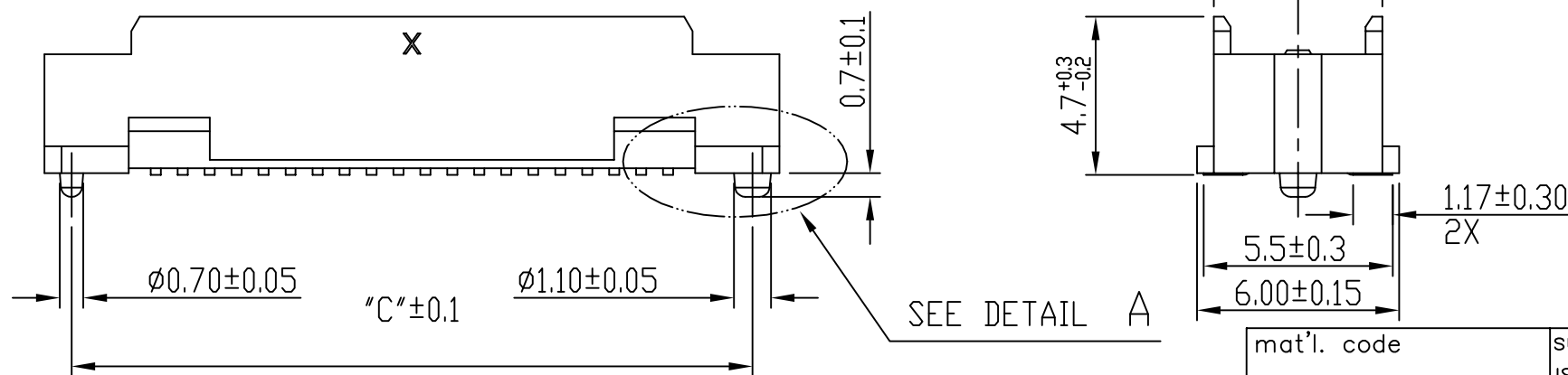
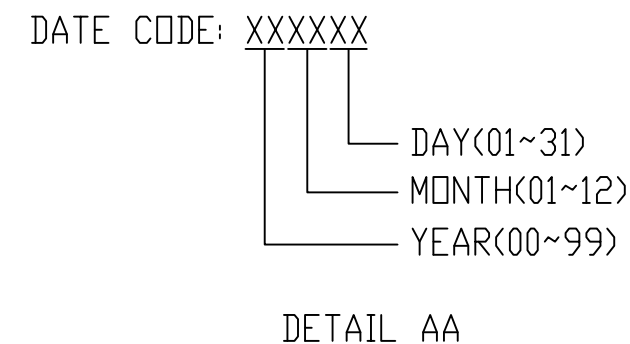
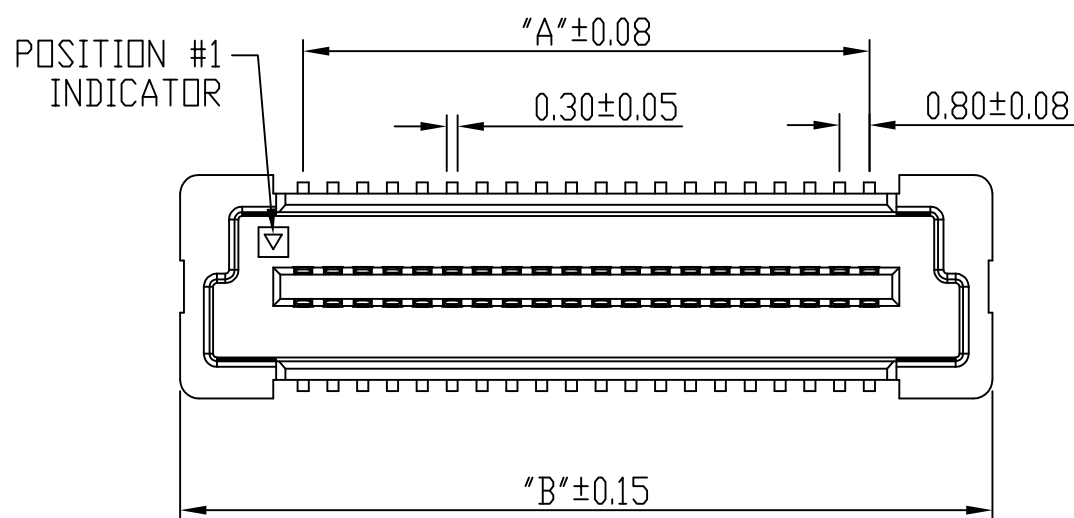
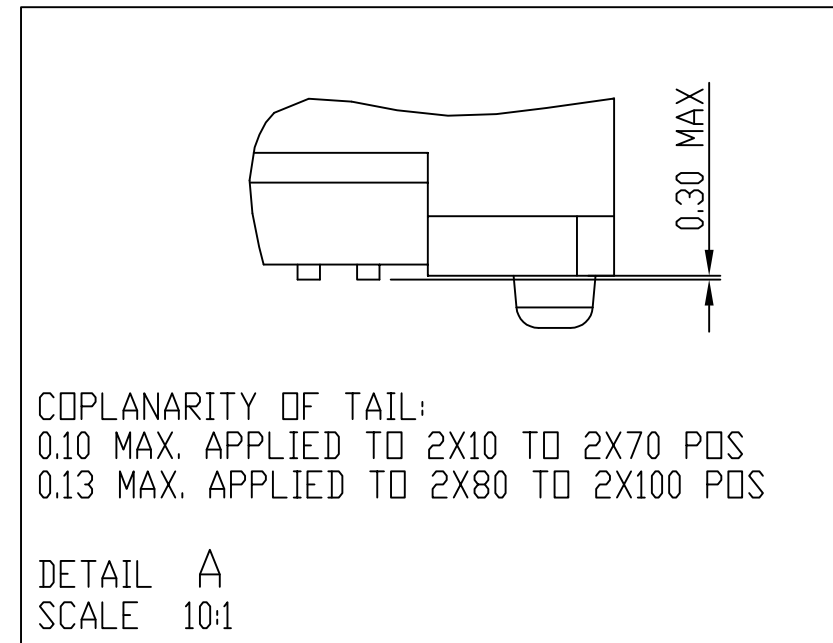
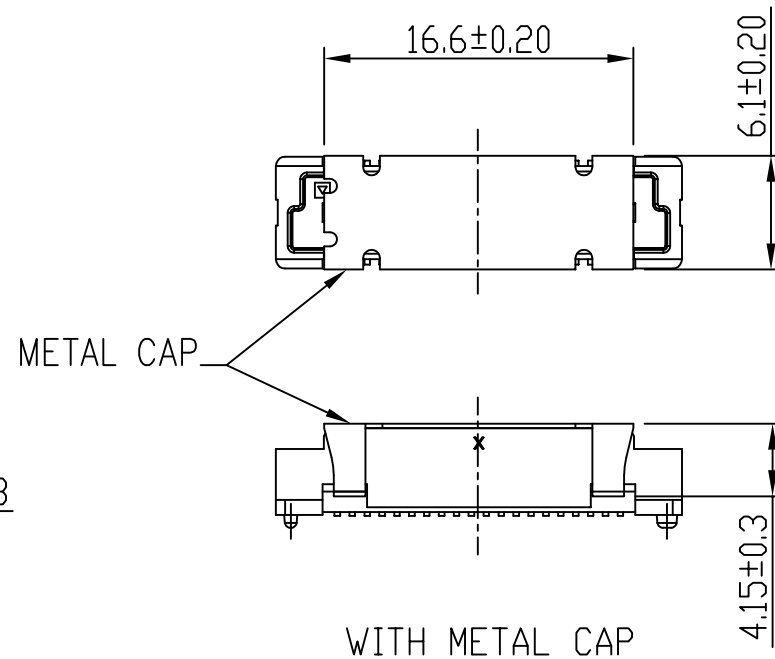
NOTE:

- MATERIAL:
HOUSING: G.F. LCP, NATURAL, UL94-V0
TERMINAL: BRASS
- PLATING: AS SHOWN IN TABLE. NICKEL UNDERPLATE OVERALL 1.27um MIN.
- SEE GS-12-547 FOR PRODUCT SPEC.
- PACKAGING OPTION 2: NOT ALL SIZES ARE AVAILABLE. CHECK WITH FACTORY.
- THIS PRODUCT MEETS THE EUROPEAN UNION DIRECTIVES AND OTHER COUNTRY REGULATIONS AS DESCRIBED IN GS-22-008.
- THE HOUSING WILL WITHSTAND EXPOSURE UP TO 260~ PEAK TEMPERATURE FOR 30 SECONDS IN A CONVECTION, INFRA-RED OR VAPOR PHASE REFLOW OVEN.
- PLATING OPTION "4" IS LEADFREE ALTERNATIVE FOR OPTION "0", AND OPTION "6" IS LEADFREE ALTERNATIVE FOR OPTION "1".
- HIGH PRECISION COPLANARITY IS AVAILABLE FOR 2X80 TO 2X100 POS, ALL HEIGHTS. PLS REFER TO PRINT 10069525.
- THE P/N 61083-***** OR 61083-*****LF NOT PRINT DATE CODE.
THE P/N 61083-*****P OR 61083-*****PLF NEED PRINT DATE CODE.
- POSITION 2X10 TYPE ONLY APPLY TO PLUG 1 AND PLUG 3.
PACKAGING WITH METAL CAP AND PLASTIC CAP DOES NOT APPLY TO 2X10 POSITION.
- KAPTON TAPE ONLY APPLY TO POSITION 2X10~2X20.

C	PLATING ON CONTACT AREA / ON SOLDER TAIL AREA	FF
0	GOLD 0.2um MIN. ON CONTACT AREA / TIN LEAD 2.5um MIN ON SOLDER TAIL	NONE
1	GOLD FLASH (0.065um MIN) OVER PALLADIUM-NICKEL 0.69um MIN ON CONTACT AREA / TIN LEAD 2.5um MIN ON SOLDER TAIL	NONE
4	GOLD 0.2um MIN ON CONTACT AREA / MATT TIN 2.5um MIN ON SOLDER TAIL	LF
5	GOLD 0.38um MIN ON CONTACT AREA / MATT TIN 2.5um MIN ON SOLDER TAIL	LF
6	GOLD FLASH 0.065um MIN OVER PALLADIUM-NICKEL 0.69um MIN ON CONTACT AREA / MATT TIN 2.5um MIN ON SOLDER TAIL	LF
7	GOLD 0.76um MIN ON CONTACT AREA / MATT TIN 2.5um MIN ON SOLDER TAIL	LF
9	GOLD 0.2um MIN ON CONTACT AREA / GOLD 0.05um MIN ON SOLDER TAIL	LF
B	GOLD 1.27um MIN ON CONTACT AREA / GOLD 0.05~0.25um ON SOLDER TAIL	LF
C	GOLD 1.27um MIN ON CONTACT AREA / MATT TIN 2.5um MIN ON SOLDER TAIL	LF
D	GOLD 0.38um MIN ON CONTACT AREA / GOLD FLASH ON SOLDER TAIL	LF

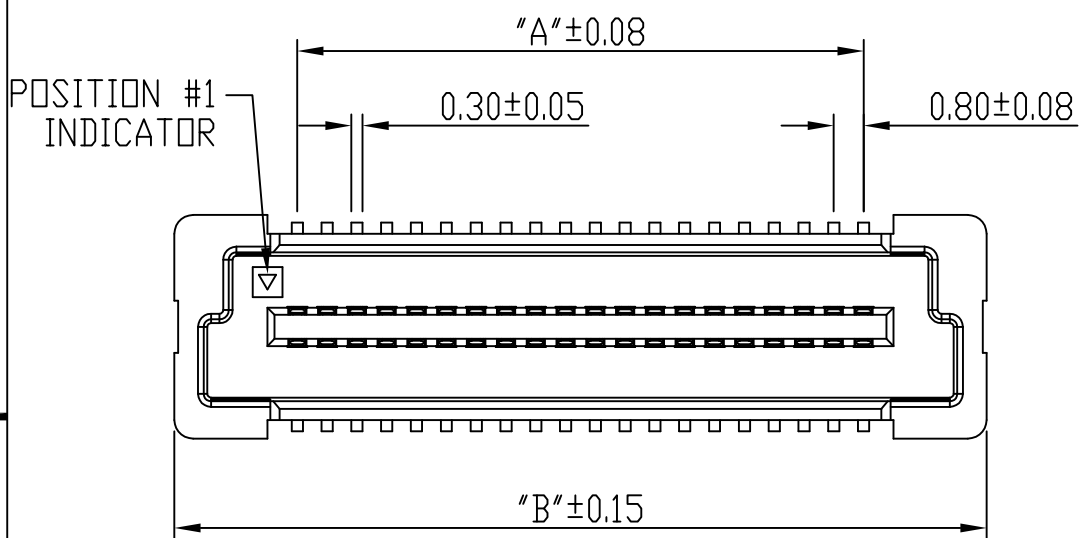
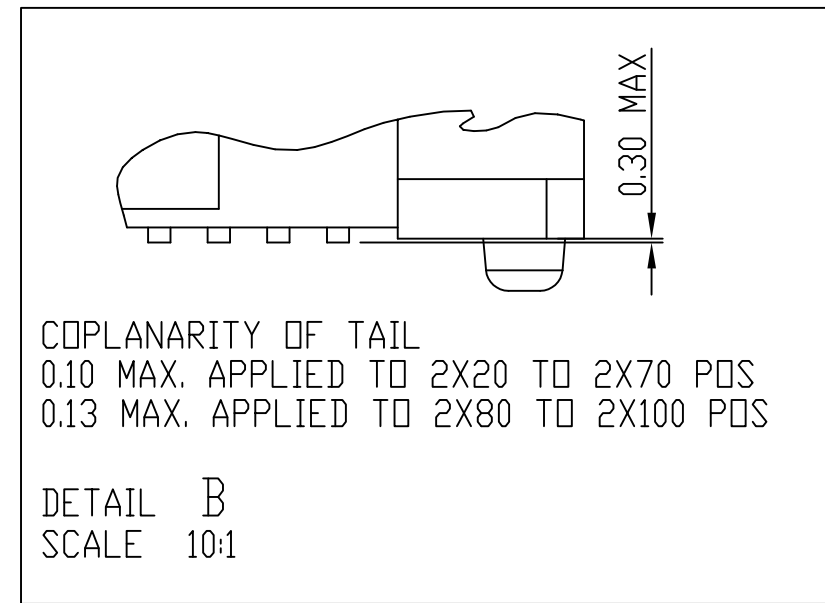
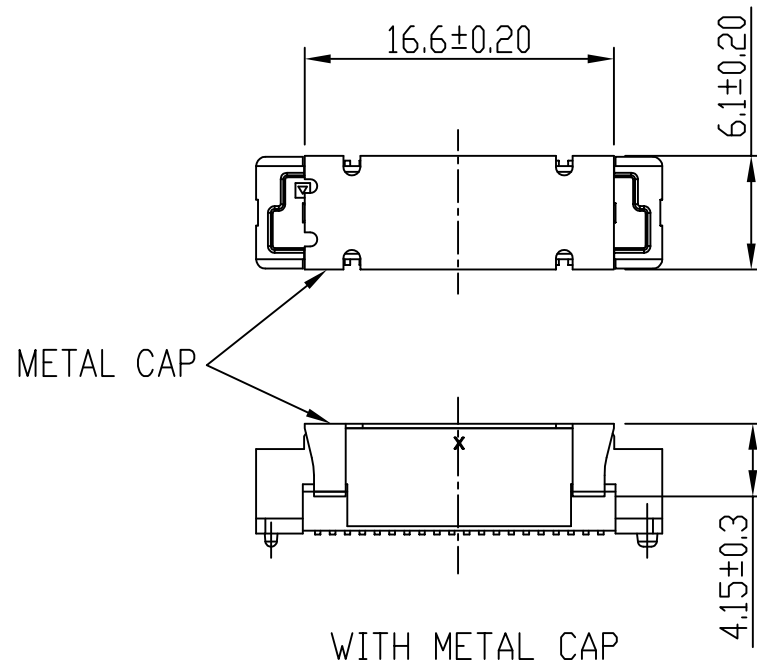
mat'l. code		surface ISO 1302 ✓		tolerance ISO 406 ISO 1101		projection		product family	
tolerances unless otherwise specified		angles		linear		mm		BERGSTAK HPL545	
AP ELX-N-33922 Bob 2019-07-05		AS ELX-N-35593 Bob 2020-01-10		AT ELX-N-37512 Bob 2020-06-28		AM ELX-N-30296 Bob 2018-05-28		AN ELX-N-30741 Bob 2018-11-22	
sheet index		revision		AL AM AN AP AR AS AT		1~6 1~6		1 1 1 1	
title		dwg no		sheet 1 of 6		size		61083 A3	
PLUG ASSY		61083		61083		61083		Product Customer Drawing	
type		Product Customer Drawing		Product Customer Drawing		Product Customer Drawing		Product Customer Drawing	

PRODUCT NO.	NO. OF POSITION	DIMENSION		
		A	B	C
61083-021***	2X10	7.2	13.8	12.2
61083-041***	2X20	15.2	21.8	20.2
61083-061***	2X30	23.2	29.8	28.2
61083-081***	2X40	31.2	37.8	36.2
61083-101***	2X50	39.2	45.8	44.2
61083-121***	2X60	47.2	53.8	52.2
61083-141***	2X70	55.2	61.8	60.2
61083-161***	2X80	63.2	69.8	68.2
61083-181***	2X90	71.2	77.8	76.2
61083-201***	2X100	79.2	85.8	84.2



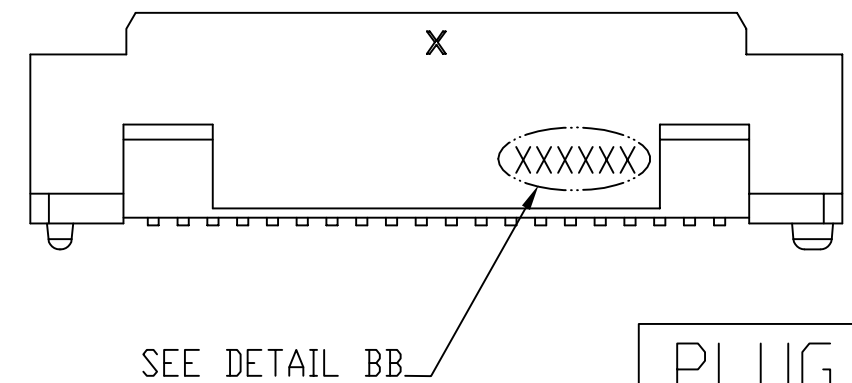
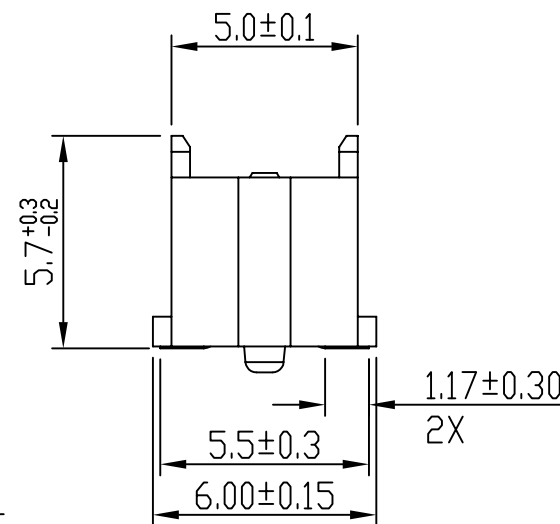
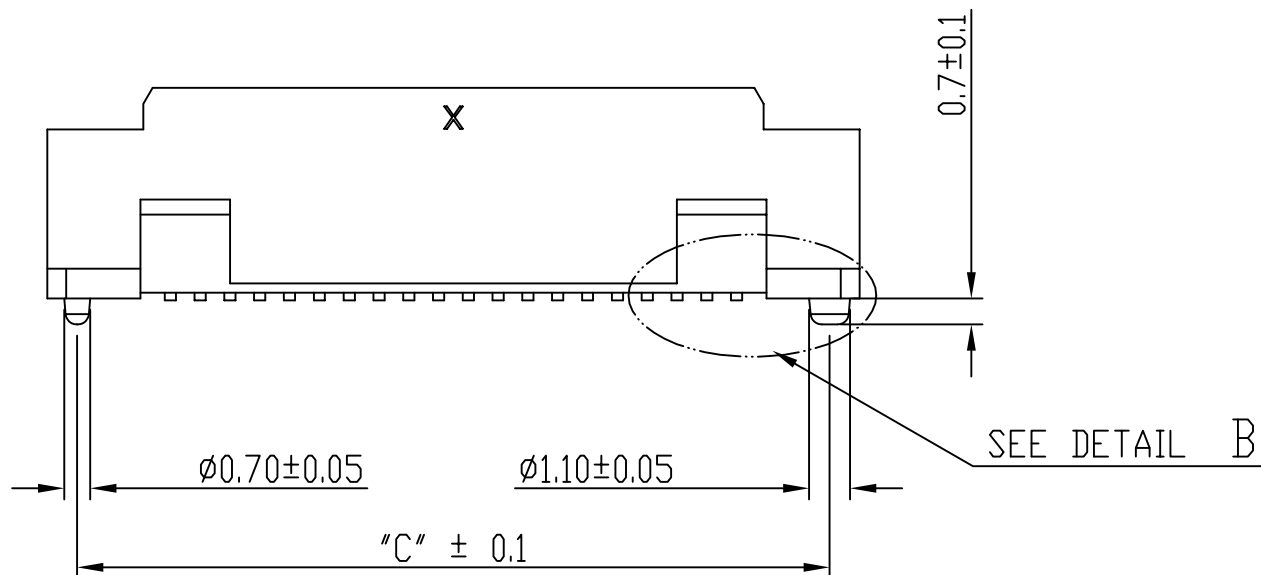
mat'l. code		surface ISO 1302 ✓		tolerance ISO 406 ISO 1101		projection 1101		product family BERGSTAK HPL545	
ltr		ecn no		dr		date		title	
AT								PLUG ASSY BERGSTAK 0.8MM	
								dwg no 61083	
								sheet 2 of 6	
								size A3	
								type Product Customer Drawing	
sheet index		revision		AT					
sheet 1									

PRODUCT NO.	NO. OF POSITION	DIMENSION		
		A	B	C
61083-042***	2X20	15.2	21.8	20.2
61083-062***	2X30	23.2	29.8	28.2
61083-082***	2X40	31.2	37.8	36.2
61083-102***	2X50	39.2	45.8	44.2
61083-122***	2X60	47.2	53.8	52.2
61083-142***	2X70	55.2	61.8	60.2
61083-162***	2X80	63.2	69.8	68.2
61083-182***	2X90	71.2	77.8	76.2
61083-202***	2X100	79.2	85.8	84.2



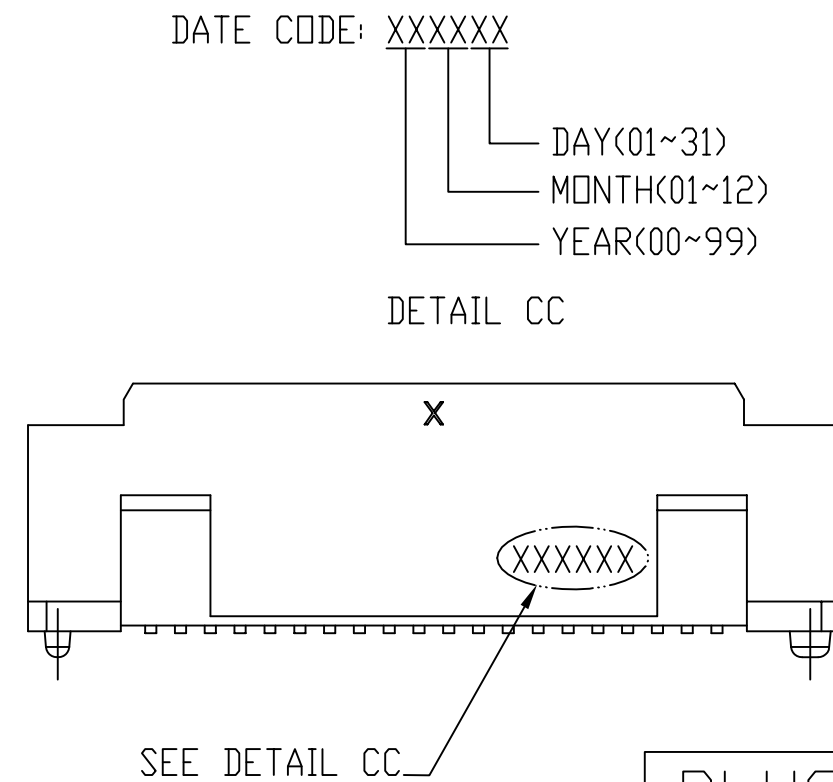
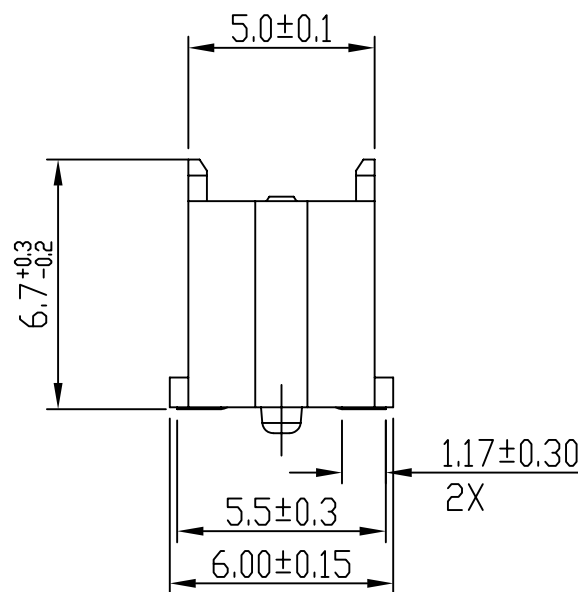
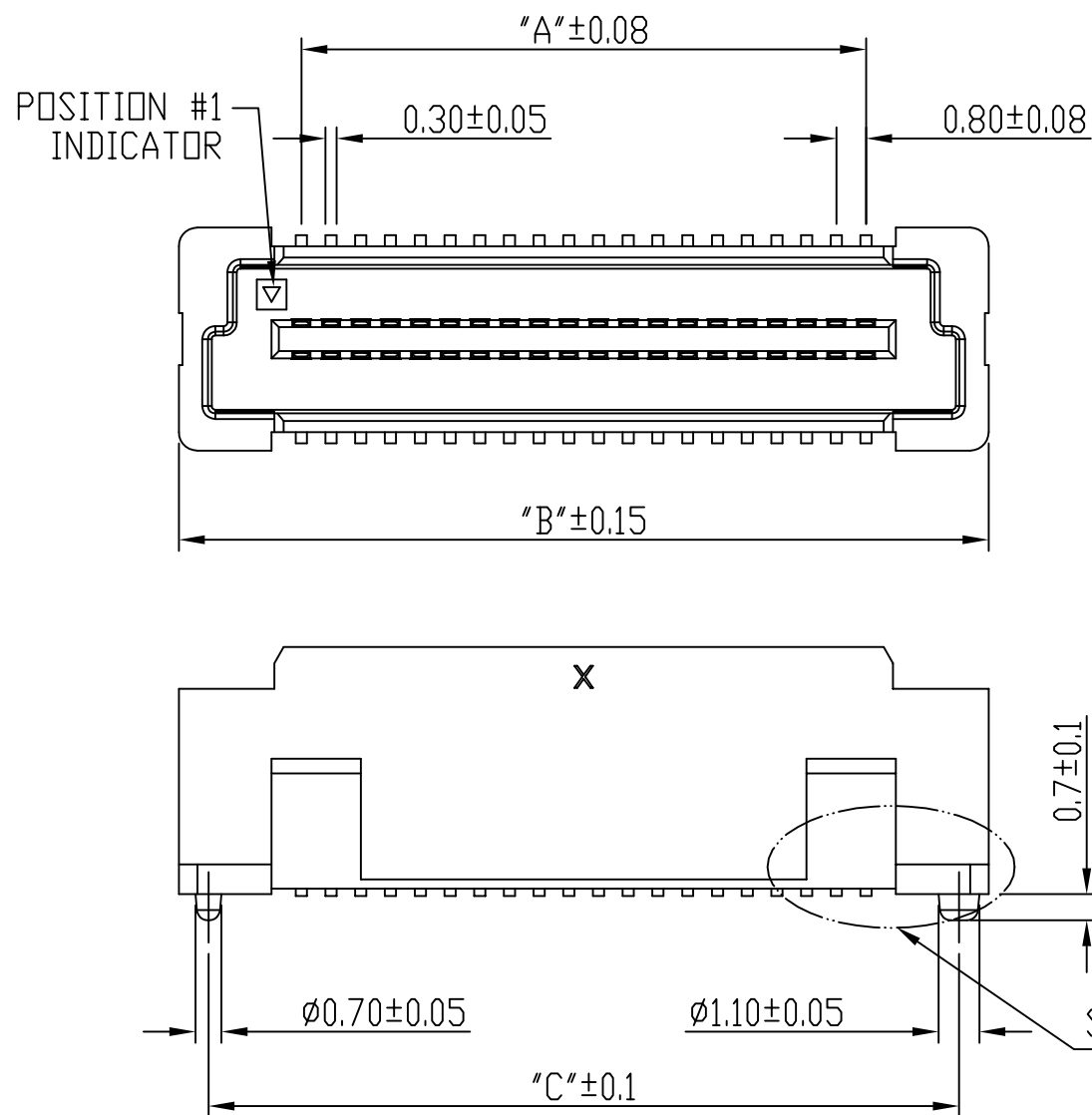
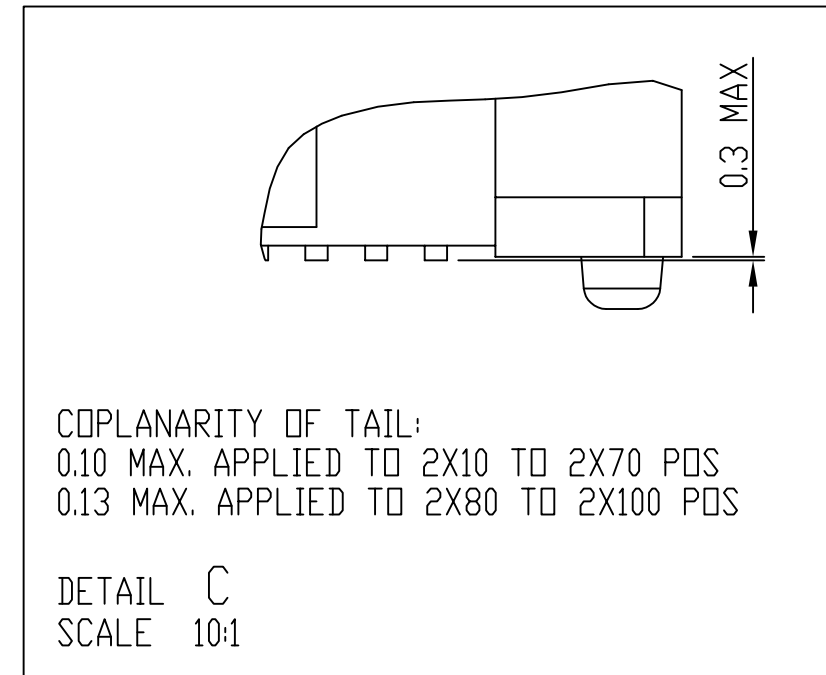
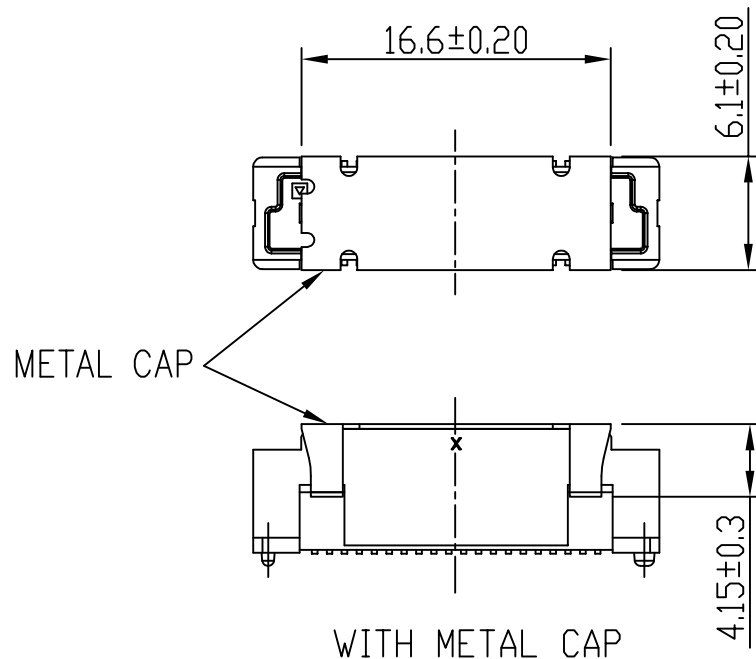
DATE CODE: XXXXXX
 DAY(01~31)
 MONTH(01~12)
 YEAR(00~99)

DETAIL BB



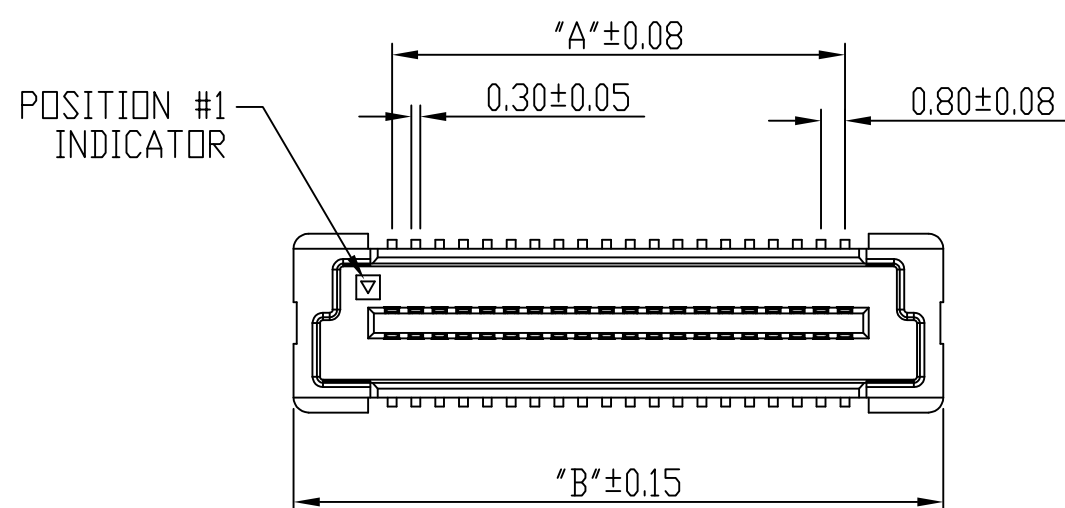
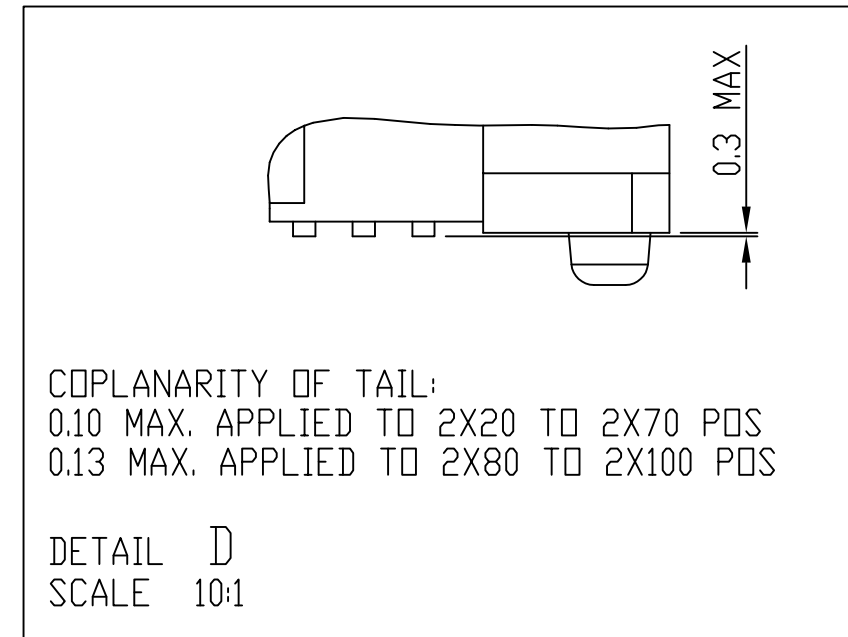
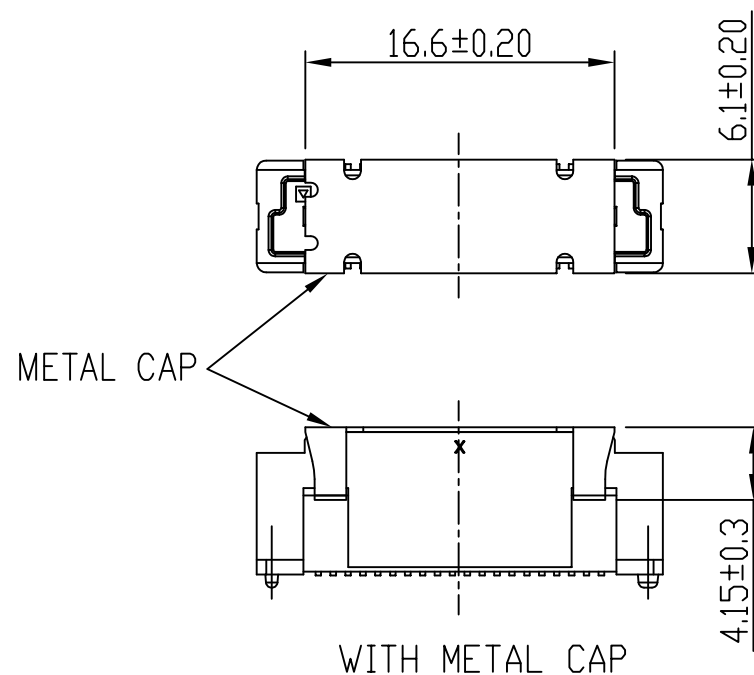
mat'l. code		surface ISO 1302 ✓		tolerance ISO 406 ISO 1101		projection 1101		product family BERGSTAK HPL545	
ltr		ecn no		dr		date		title	
AT								PLUG ASSY BERGSTAK 0.8MM	
								tolerances unless otherwise specified	
								mm	
								scale 1:1	
								angles linear	
								.0±.2	
								.00±.15	
								.000±.10	
								0°±3'	
								dr GuoMin Sun 2014-10-21	
								engr Bob Gu 2020-06-28	
								chr LQ Lei 2020-06-28	
								appd Tim Yao 2020-06-28	
sheet index		revision sheet		AT		1		dwg no 61083	
								sheet 3 of 6	
								size A3	
								type Product Customer Drawing	

PRODUCT NO.	NO. OF POSITION	DIMENSION		
		A	B	C
61083-023***	2X10	7.2	13.8	12.2
61083-043***	2X20	15.2	21.8	20.2
61083-063***	2X30	23.2	29.8	28.2
61083-083***	2X40	31.2	37.8	36.2
61083-103***	2X50	39.2	45.8	44.2
61083-123***	2X60	47.2	53.8	52.2
61083-143***	2X70	55.2	61.8	60.2
61083-163***	2X80	63.2	69.8	68.2
61083-183***	2X90	71.2	77.8	76.2
61083-203***	2X100	79.2	85.8	84.2



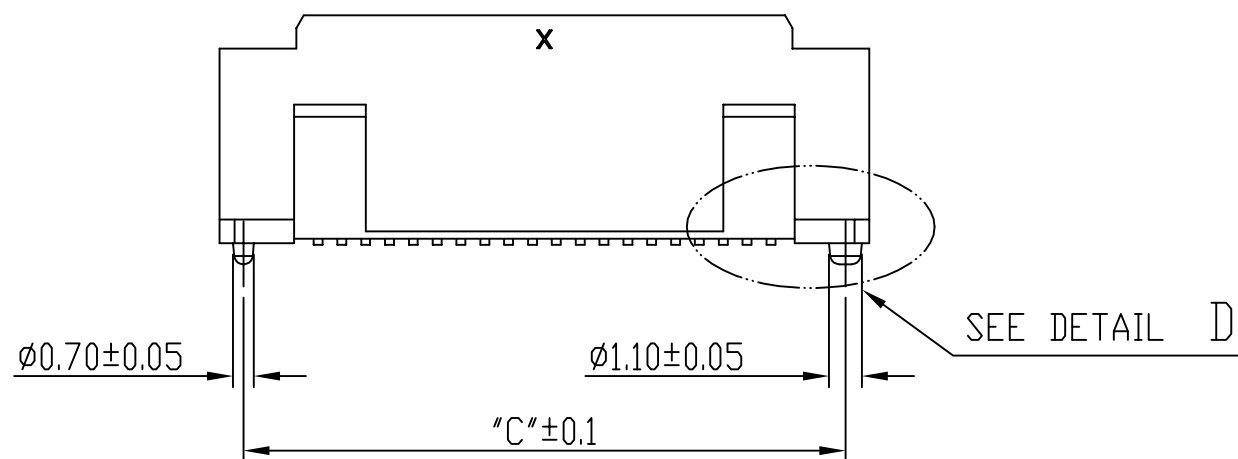
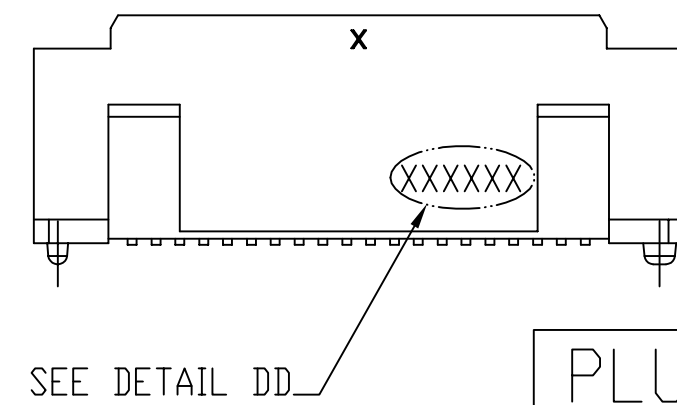
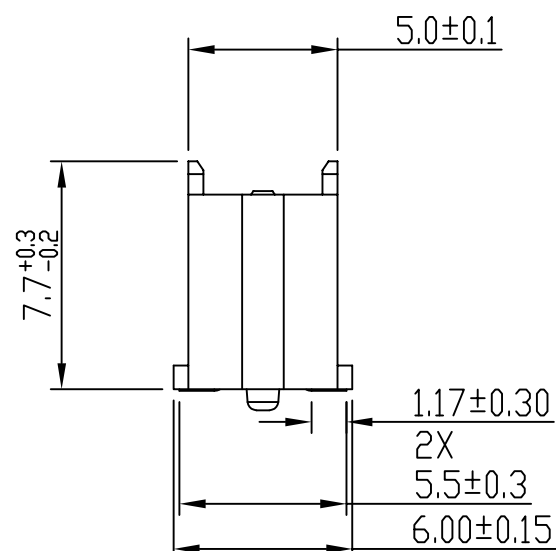
mat'l. code		surface ISO 1302 ✓		tolerance ISO 406 ISO 1101		projection 1101		product family BERGSTAK HPL545	
ltr		ecn no		dr		date		title	
AT								PLUG ASSY BERGSTAK 0.8MM	
								dwg no 61083	
								sheet 4 of 6	
								size A3	
								type Product Customer Drawing	
sheet index		revision		AT					
		sheet		1					

PRODUCT NO.	NO. OF POSITION	DIMENSION		
		A	B	C
61083-044***	2X20	15.2	21.8	20.2
61083-064***	2X30	23.2	29.8	28.2
61083-084***	2X40	31.2	37.8	36.2
61083-104***	2X50	39.2	45.8	44.2
61083-124***	2X60	47.2	53.8	52.2
61083-144***	2X70	55.2	61.8	60.2
61083-164***	2X80	63.2	69.8	68.2
61083-184***	2X90	71.2	77.8	76.2
61083-204***	2X100	79.2	85.8	84.2



DATE CODE: XXXXXX
 DAY(01~31)
 MONTH(01~12)
 YEAR(00~99)

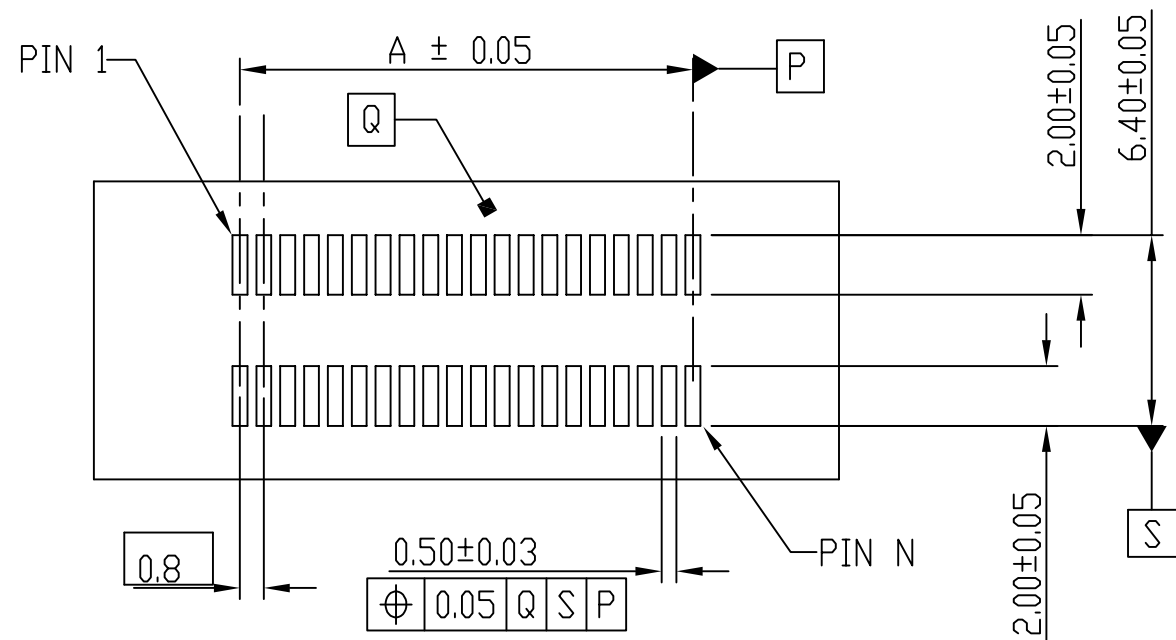
DETAIL DD



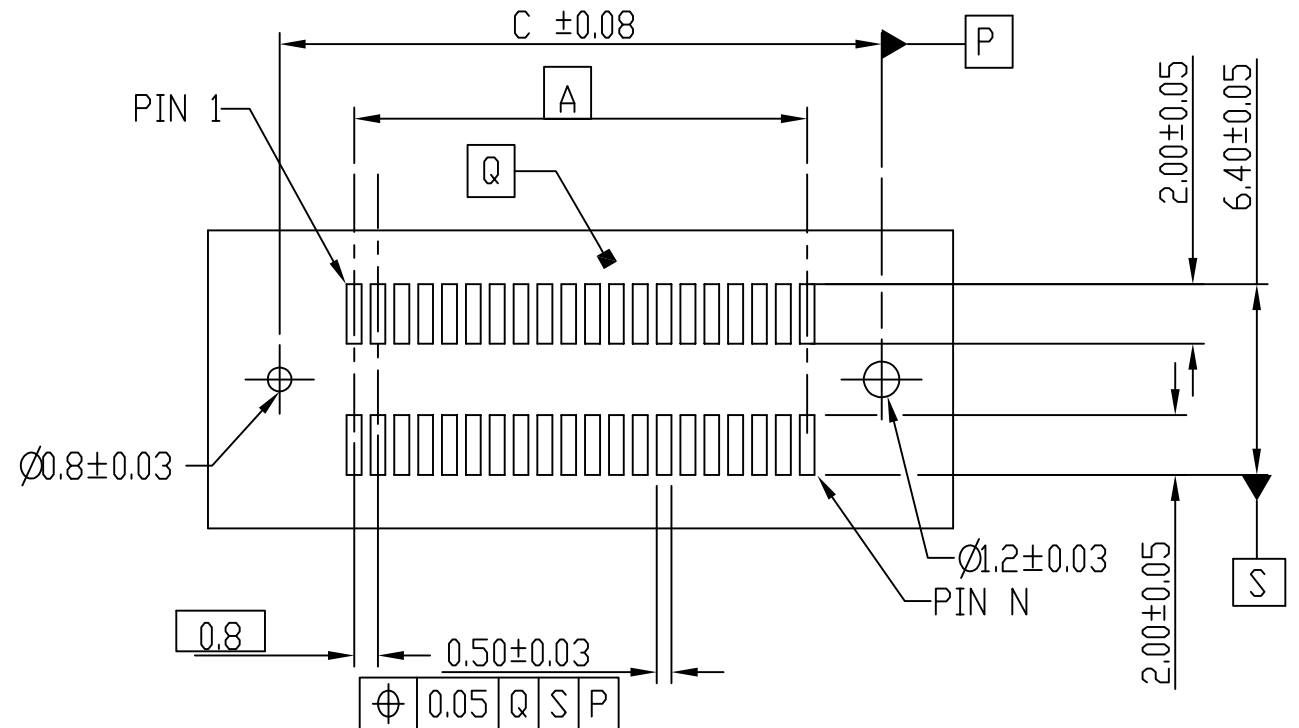
mat'l. code		surface ISO 1302 ✓		tolerance ISO 406 ISO 1101		projection 1101		product family BERGSTAK HPL545	
ltr		ecn no		dr		date		title	
AT								PLUG ASSY BERGSTAK 0.8MM	
								dwg no 61083	
								sheet 5 of 6	
								size A3	
								type Product Customer Drawing	
sheet index		revision		AT					
		sheet		1					

© 2016 AFCl
 Amphenol FCI
 © 2016 AFCl

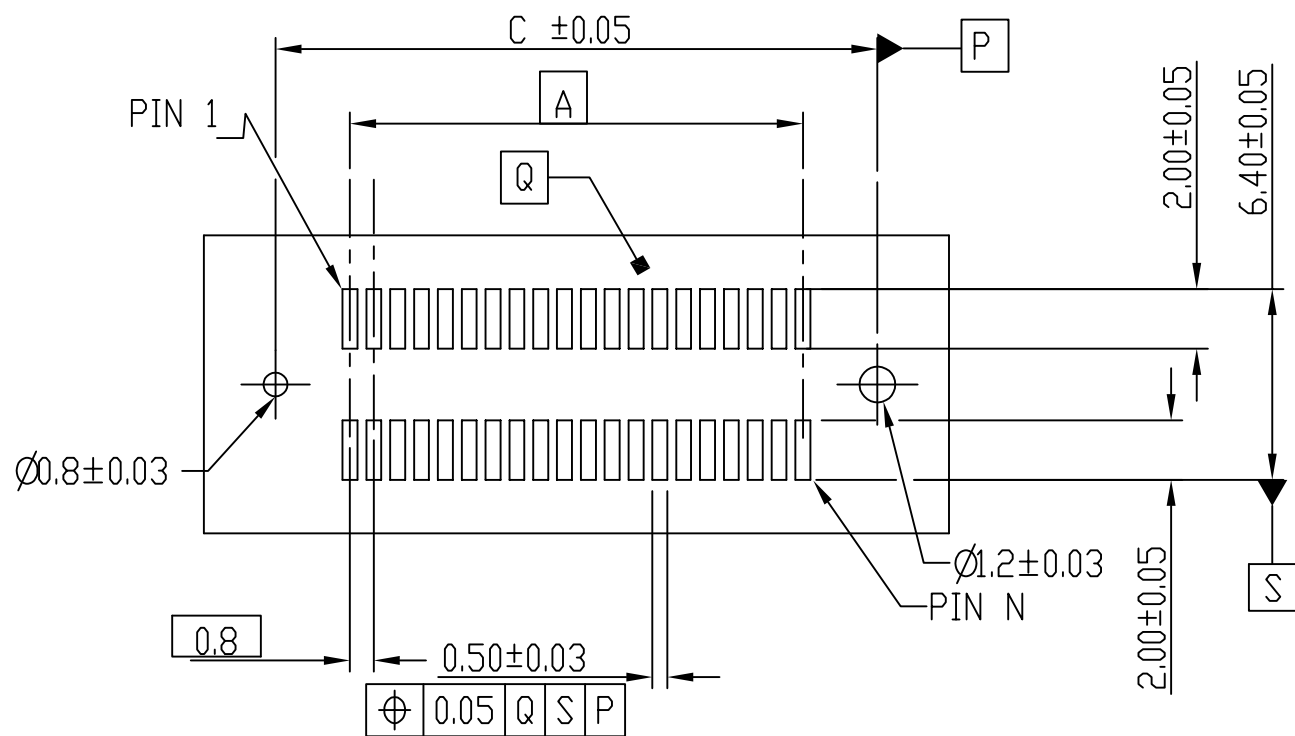
FOR PLUG 1/2/3/4



RECOMMENDED PCB LAYOUT WITHOUT PEG FOR
NO. OF POS 2X10, 2X20, 2X30, 2X40, 2X50 2X60



RECOMMENDED PCB LAYOUT WITH PEG FOR
NO. OF POS 2X70, 2X80, 2X90, 2X100



RECOMMENDED PCB LAYOUT WITH PEG FOR
NO. OF POS 2X10, 2X20, 2X30, 2X40, 2X50 2X60

mat'l. code		surface ISO 1302 ✓		tolerance ISO 406 ISO 1101		projection 1101		product family BERGSTAK HPL545	
ltr		ecn no		dr		date		title	
AT								PLUG ASSY BERGSTAK 0.8MM	
				angles linear		.0±.2 .00±.15 .000±.10		mm	
				0°±3°				scale 1:1	
				dr		GuoMin Sun 2014-10-21		dwg no sheet 6 of 6 size	
				engr		Bob Gu 2020-06-28		61083 A3	
				chr		LQ Lei 2020-06-28			
				appd		Tim Yao 2020-06-28		type Product Customer Drawing	
sheet index		revision sheet		AT		1			