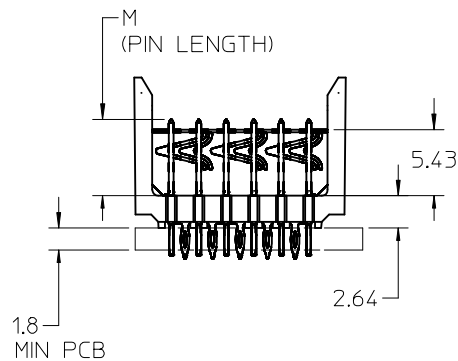
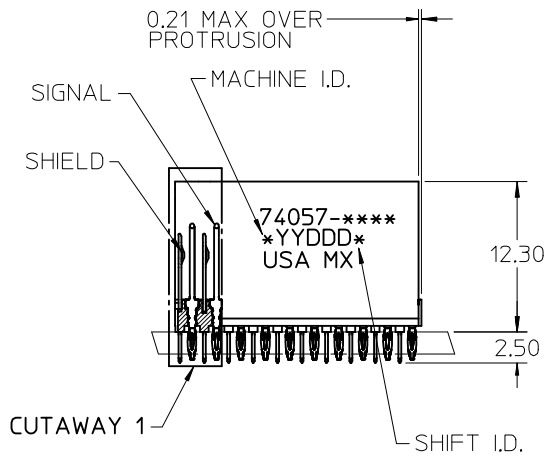


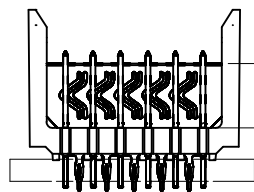
BACKPLANE HOLE PATTERN  
RECOMMENDED DIMENSION

THE PRIMARY CARTON WITH A LABEL STATING "ELV AND RoHS COMPLIANT" IS LEAD FREE. CARTONS WITHOUT THIS LABEL MAY CONTAIN LEAD.

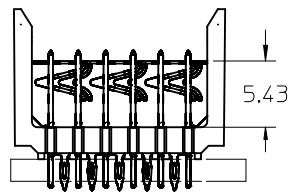


NOTES:

- MATERIAL: HOUSING -LIQUID CRYSTAL POLYMER (LCP), GLASS-FILLED, UL 94 V-0. COLOR BLACK. SIGNAL & SHIELD -COPPER ALLOY.
- FINISHES:  
CONTACT AREA: SELECTIVE GOLD (Au) 0.25 (MAPS), 0.76, OR 1.27 micrometer THICKNESS  
PCB TAILS: SELECTIVE MATTE TIN (Sn) NICKEL (Ni) OVERALL.
- THIS PART CONFORMS TO MOLEX PRODUCT SPECIFICATION PS-74031-999.
- FOR MIXED CONTACT MATING LENGTHS CONSULT MOLEX FOR AVAILABILITY.
- FOR SPECIFIC PART NUMBER AND MATING INFORMATION REFER TO SHEET 2.
- PACKAGE PER: PK-74057-003.
- EITHER MARK PART NUMBER AND DATE CODE APPROXIMATELY WHERE SHOWN OR PLACE LABEL ON THE TUBE.
- MAPS (MOLEX ADVANCED PLATING SYSTEM).



STANDARD

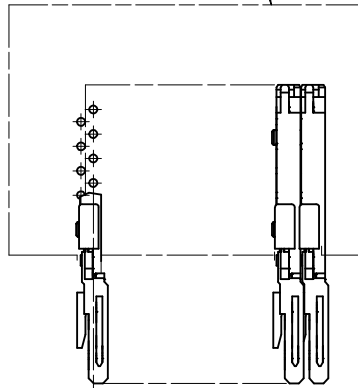


ADVANCE MATE

<b>LEAD FREE CONVERSION</b> EC NO: UCP2013-0687 DIR: WNR/WHIPPLE 2012/11/19 CHKD: MWOLFE 2012/11/19 APPR: SMILLER 2012/12/14 REV DESCRIPTION	QUALITY SYMBOLS	GENERAL TOLERANCES (UNLESS SPECIFIED)	DIMENSION STYLE	SCALE	DESIGN UNITS	THIRD ANGLE PROJECTION
	▽E=0	mm INCH	MM ONLY	2.5:1	METRIC	⊙
	▽E=0	4 PLACES ± --- ± ---	DRAWN BY DATE	TITLE	<b>VHDM 6 ROW ADVANCE MATE OPEN END BACKPLANE SALES DRAWING</b>	
	▽E=0	3 PLACES ± --- ± ---	MOWANG 2001/08/20			
	2 PLACES ± 0.25 ± ---	CHECKED BY DATE	JLAURX 2001/08/22	<b>molex</b>		SHEET NO. 1 OF 3
	1 PLACE ± 0.38 ± ---	APPROVED BY DATE	CBIXLER 2001/08/22			
	0 PLACE ± ±	ANGULAR ±1/2°	MATERIAL NO.	DOCUMENT NO.	SD-74057-003	
		DRAFT WHERE APPLICABLE MUST REMAIN WITHIN DIMENSIONS	SEE TABLE	THIS DRAWING CONTAINS INFORMATION THAT IS PROPRIETARY TO MOLEX INCORPORATED AND SHOULD NOT BE USED WITHOUT WRITTEN PERMISSION		

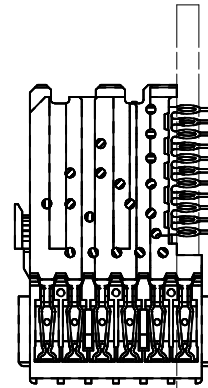
10 9 8 7 6 5 4 3 2 1

DAUGHTERCARD  
CONNECTOR SIDE

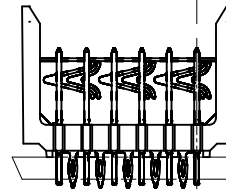
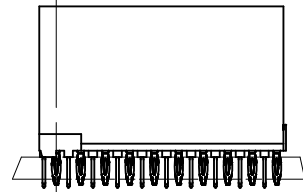


0.41 OFFSET  
SIGNAL TO  
SIGNAL

0.66  
TOP DAUGHTERCARD  
PCB TO CENTER  
OF ROW A



ROW A



SEE SHEET 1 EC NO: UCP2013-0687 TDR: WNR/WHIPPLE 2012/11/19 CHKD: MWOLFE 2012/11/19 APPR: SMILLER 2012/12/14 REV	QUALITY SYMBOLS $\nabla = 0$ $\nabla = 0$ $\nabla = 0$	GENERAL TOLERANCES (UNLESS SPECIFIED) mm INCH 4 PLACES ± --- ± --- 3 PLACES ± --- ± --- 2 PLACES ± 0.25 ± --- 1 PLACE ± 0.38 ± --- 0 PLACE ± ±	DIMENSION STYLE MM ONLY DRAWN BY DATE MOWANG 2001/08/20 CHECKED BY DATE JLAURX 2001/08/22 APPROVED BY DATE CBIXLER 2001/08/22	SCALE 2.5:1 DESIGN UNITS METRIC THIRD ANGLE PROJECTION	TITLE VHDM 6 ROW ADVANCE MATE OPEN END BACKPLANE SALES DRAWING <b>molex</b>	MATERIAL NO. SEE TABLE	DOCUMENT NO. SD-74057-003	SHEET NO. 2 OF 3	
	ANGULAR ± 1/2° DRAFT WHERE APPLICABLE MUST REMAIN WITHIN DIMENSIONS		THIS DRAWING CONTAINS INFORMATION THAT IS PROPRIETARY TO MOLEX INCORPORATED AND SHOULD NOT BE USED WITHOUT WRITTEN PERMISSION						

9 8 7 6 5 4 3 2 1

PART NUMBER	COLUMN	NUMBER OF SIGNAL PIN	NUMBER OF SHIELD	A	B	M	GOLD THICKNESS MICROMETER	TIN THICKNESS MICROMETER
74057-6101	10	60	10	20.00	18.00	4.75	0.25 MAPS	0.76-1.52
74057-*101							0.76	
74057-*106							1.27	
74057-7601	25	150	25	50.00	48.00		0.25 MAPS	
74057-*601							0.76	
74057-*606							1.27	
74057-6102	10	60	10	20.00	18.00	6.25	0.25 MAPS	
74057-*102							0.76	
74057-*107							1.27	
74057-7602	25	150	25	50.00	48.00		0.25 MAPS	
74057-*602							0.76	
74057-*607							1.27	
74057-6103	10	60	10	20.00	18.00	4.25	0.25 MAPS	
74057-*103							0.76	
74057-*108							1.27	
74057-7603	25	150	25	50.00	48.00		0.25 MAPS	
74057-*603							0.76	
74057-*608							1.27	
74057-6104	10	60	10	20.00	18.00	5.15	0.25 MAPS	
74057-*104							0.76	
74057-*109							1.27	
74057-7604	25	150	25	50.00	48.00		0.25 MAPS	
74057-*604							0.76	
74057-*609							1.27	

**MATERIAL NUMBER ASSIGNMENT**

74057-\*\*\*0\*

SEE TABLE  
NUMBER OF COLUMNS/PLATING

- 11 = 10 COLUMN MATTE TIN (FORMERLY TIN/LEAD)
- 26 = 25 COLUMN MATTE TIN (FORMERLY TIN/LEAD)
- 61 = 10 COLUMN MATTE TIN (MAPS)
- 76 = 25 COLUMN MATTE TIN (MAPS)
- 91 = 10 COLUMN MATTE TIN
- 86 = 25 COLUMN MATTE TIN

SEE SHEET 1 EC NO: UCP2013-0687 TIDR:WNRHIPPLE 2012/11/19 CHKD:HWOLFE 2012/11/19 APPR:SMILLER 2012/12/14	DESCRIPTION REV	QUALITY SYMBOLS	GENERAL TOLERANCES (UNLESS SPECIFIED)	DIMENSION STYLE	SCALE	DESIGN UNITS	THIRD ANGLE PROJECTION	
		$\nabla F/0$ $\nabla E/0$ $\nabla D/0$	mm      INCH 4 PLACES ± --- ± --- 3 PLACES ± --- ± --- 2 PLACES ± 0.25 ± --- 1 PLACE ± 0.38 ± --- 0 PLACE ±      ±	MM ONLY	1:1	METRIC	DRAWN BY DATE MQWANG 2001/08/20 CHECKED BY DATE JLAURX 2001/08/22 APPROVED BY DATE CBIXLER 2001/08/22	TITLE VHDM 6 ROW ADVANCE MATE OPEN END BACKPLANE SALES DRAWING
		ANGULAR ±1/2° DRAFT WHERE APPLICABLE MUST REMAIN WITHIN DIMENSIONS	MATERIAL NO. SEE TABLE	DOCUMENT NO. SD-74057-003	SHEET NO. 3 OF 3			
		THIS DRAWING CONTAINS INFORMATION THAT IS PROPRIETARY TO MOLEX INCORPORATED AND SHOULD NOT BE USED WITHOUT WRITTEN PERMISSION						