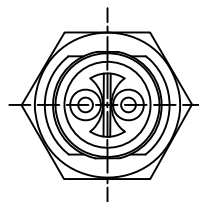
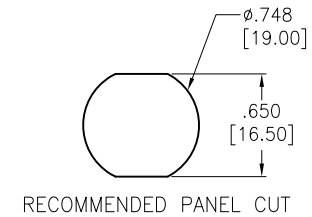
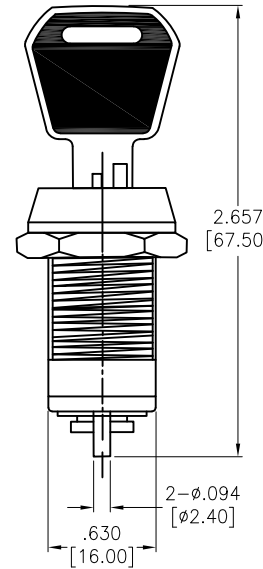
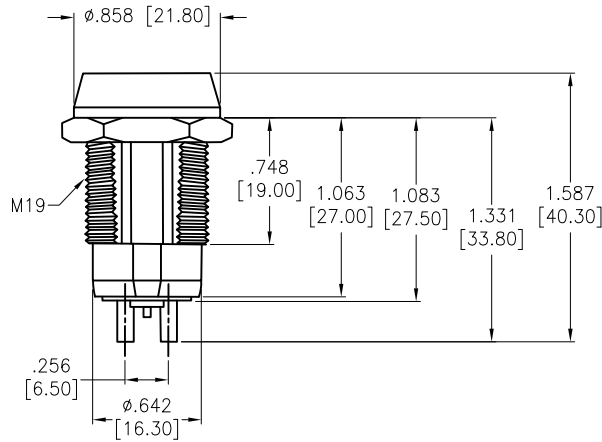
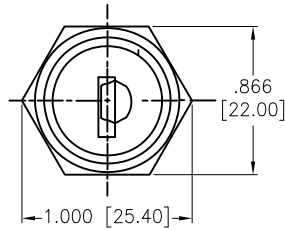


APPROVED: \_\_\_\_\_  
 DATE: \_\_\_\_\_ TITLE: \_\_\_\_\_

Rev	AWO #	Description	Date	Appr
-		RELEASED	11/6/20	
A		UPDATE DRAWING.	5/11/21	JJ/RC
B		ADDED SPEC.	8/31/21	WX/RC
C		UPDATE SPEC.	5/27/22	WX/RC



FUNCTION
SP, ON-OFF

**SPECIFICATIONS:**

Material:  
 Body: Steel, Polished Chrome, Silver plated  
 Electrical:  
 The rated load: 125 VAC, 4A  
 250 VAC, 2A  
 28 VDC, 4A

Contact resistance: 20 mΩ max  
 Insulation resistance: 100 mΩ min (500VDC)  
 Dielectric withstanding voltage: 1000 VAC for 1 minute  
 Mechanical life: ≥10000 Cycles  
 Temperature Rating:  
 -20°C to +85°C  
 Environmental:  
 Lead free, RoHS compliant



ADAM-P/N	SPEC.
SW-R-K10-A	Key pulled on both positions. Note: this would be our standard
SW-R-K10-B	Key pulled on 1 position

UNLESS OTHERWISE SPECIFIED ALL DIMENSIONS ARE INCHES [MM]. TOLERANCES: EXCEPT AS NOTED		
INCHES		
.X ±.10	∅X ±.10	
.XX ±.020	∅XX ±.015	
.XXX ±.015	∅XXX ±.010	
DRAWN	OW	11/6/20
CHECKED	AC	11/6/20
APPROVED		

**ADAM TECH** 909 Rahway Avenue,  
 Union, NJ 07083  
 Phone: 908-687-5000  
 Fax: 908-687-5710

TITLE SWITCH, KEY LOCK, 19MM, ON-OFF  
 PANEL MOUNT, SOLDER TERMINAL

SIZE X	PART NO. SW-R-K10-X	REV. C
REF: S00206C	SCALE: NTS	SHEET 1 OF 1

THIS DRAWING CONTAINS INFORMATION THAT IS PROPRIETARY AND SHOULD NOT BE USED WITHOUT PRIOR WRITTEN PERMISSION FROM ADAM TECH