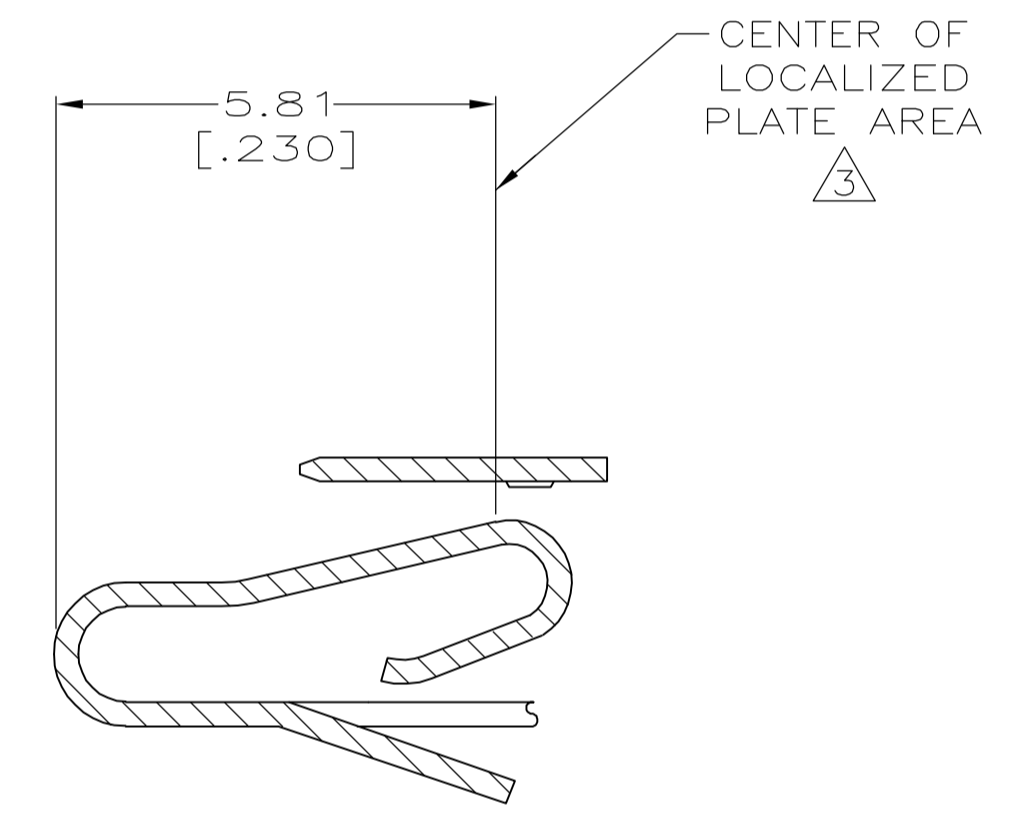
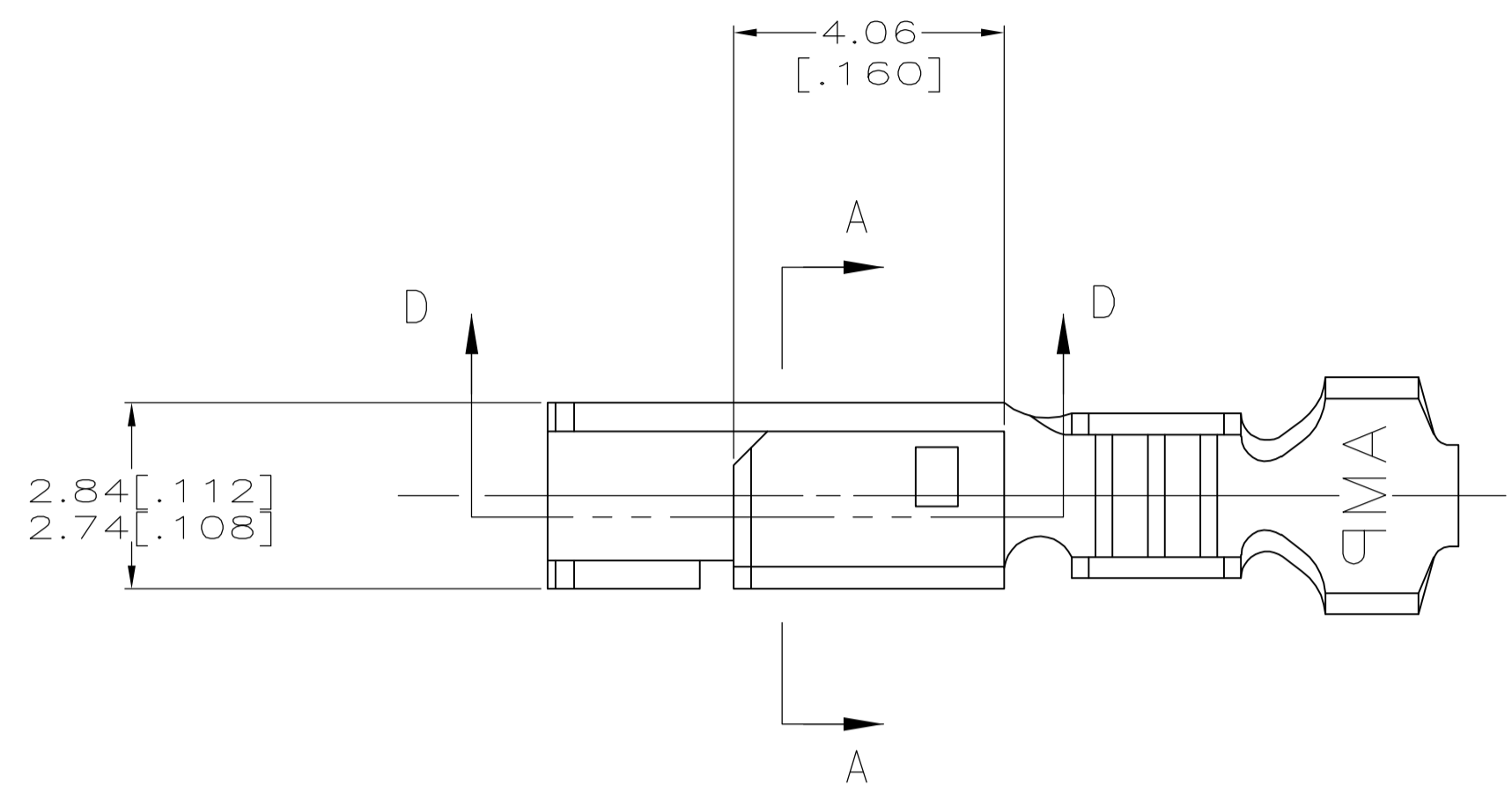
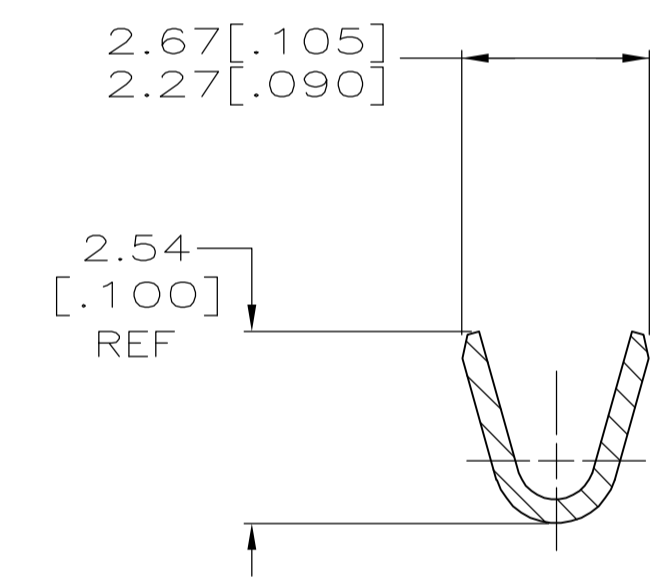
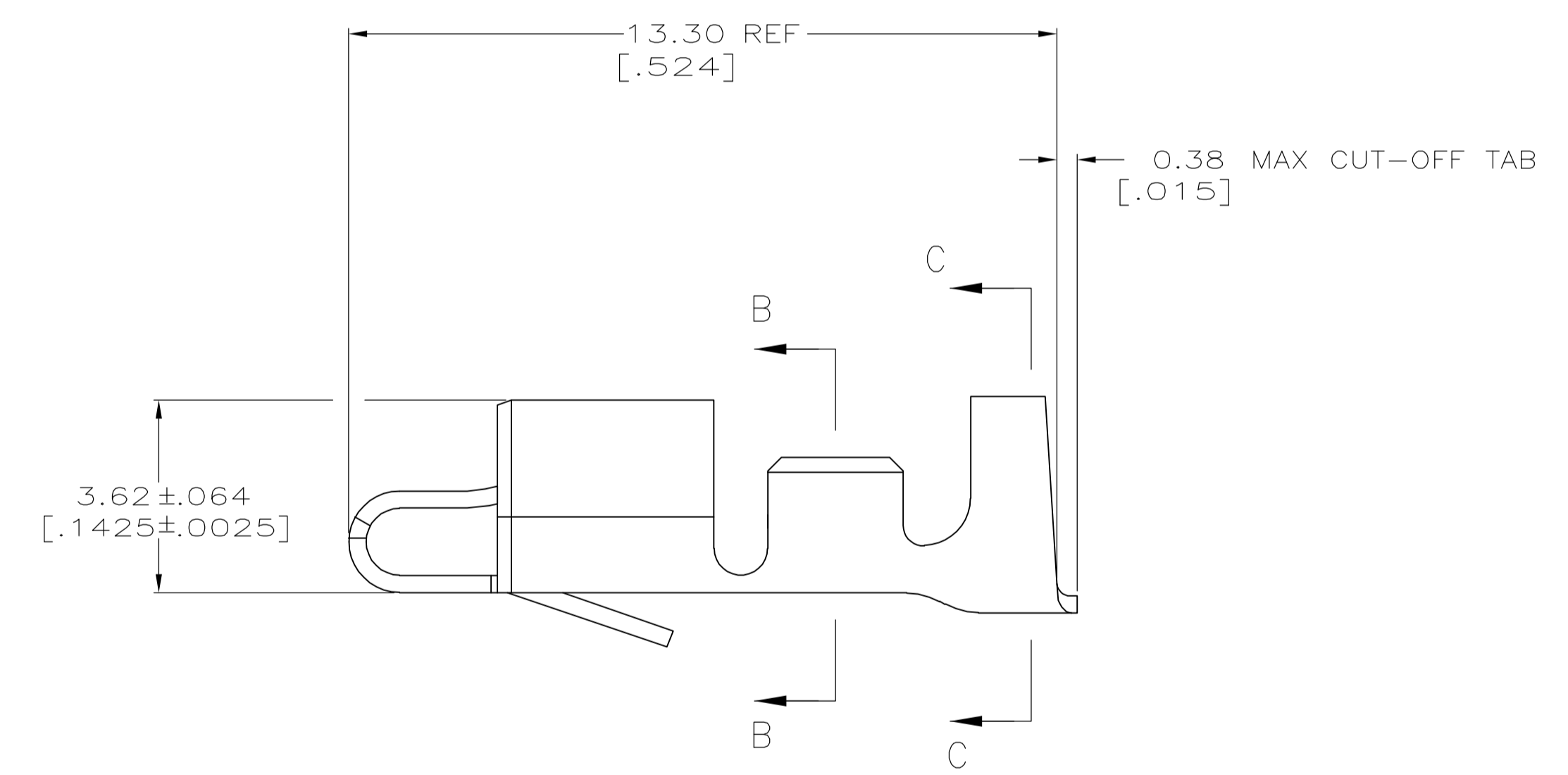


LOC	DIST	REVISIONS				
CM	0	REV	DESCRIPTION	DATE	DWN	APVD
		A	REVISED PER 063B-1213-04	9/9/05	SS	JE

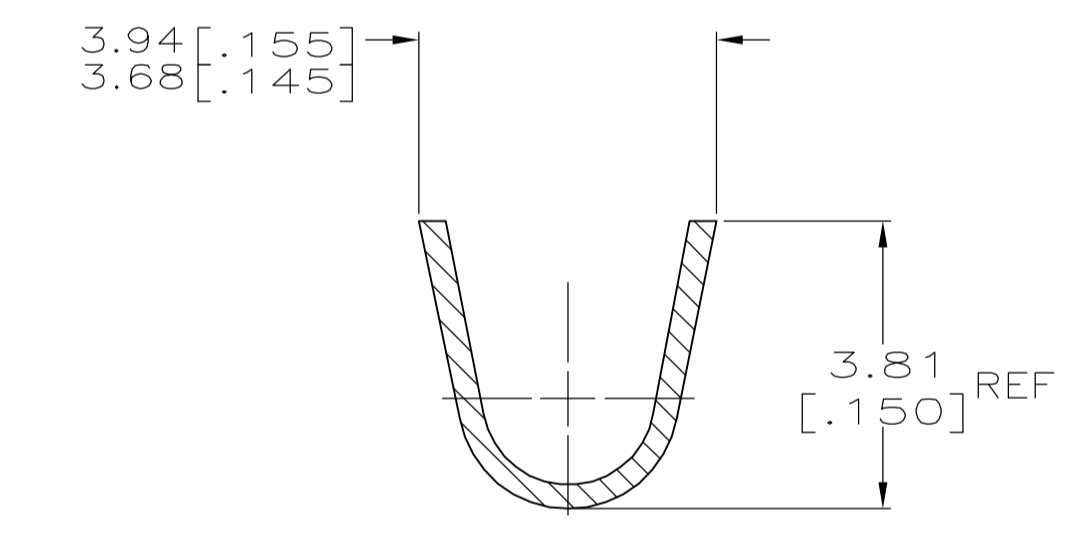
- INSULATION RANGE: 1.78-2.84 [.070-.112]  
 WIRE RANGE: 0.2-0.9 mm<sup>2</sup> (24-18) AWG.
- 0.00203 [.000080] MIN BRIGHT TIN-LEAD OVER  
 0.00127 [.000050] MIN NICKEL.
- 0.00076 [.000030] MIN THICK GOLD STRIPES IN  
 LOCALIZED PLATE AREA ON BEAM AND DIMPLE OVER  
 0.00127 [.000050] MIN THICK NICKEL OVER ENTIRE  
 CONTACT.
- DIMENSIONS IN BRACKETS ARE IN INCHES.
- FOR USE ONLY WITH LID STYLE HOUSING.
- 0.00203 [.000080] MIN BRIGHT TIN OVER  
 0.00127 [.000050] MIN NICKEL.



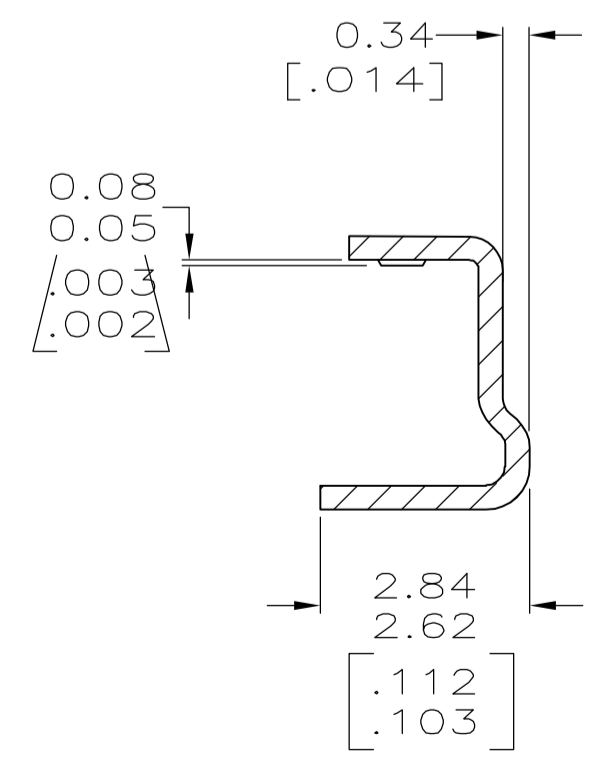
SECTION D-D



SECTION B-B

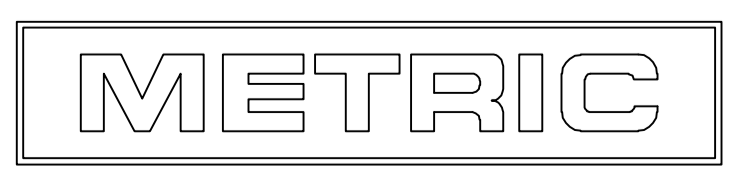


SECTION C-C



SECTION A-A  
 ROTATED 90° CCW

FINISH	POST PLATE	PRE-PLATE	MATERIAL	QTY
6	—	—	PHOS BRONZE	3-647409-1
—	3	—	PHOS BRONZE	647409-2
2	—	—	PHOS BRONZE	647409-1



THIS DRAWING IS A CONTROLLED DOCUMENT.

DIMENSIONS: mm [INCHES]	TOLERANCES UNLESS OTHERWISE SPECIFIED: 0. PLC ± - 1. PLC ± - 2. PLC ± - 3. PLC ± .005 4. PLC ± - ANGLES ± ± -	DWN K. WHITAKER 15-JAN-2001	APVD J. ELLIS 15-JAN-2001	NAME SL-156 HOODED RECEPTACLE, LARGE DIA. INSULATION TYPE, LOOSE PIECE
MATERIAL SEE TABLE	FINISH -	WEIGHT -	SIZE A1	SCALE 10:1

Tyco Electronics Corporation  
 Harrisburg, Pa 17105-3608  
 CUSTOMER DRAWING  
 SHEET 1 OF 1  
 REV A