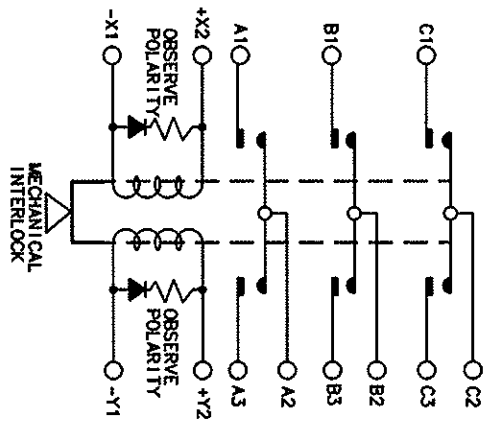
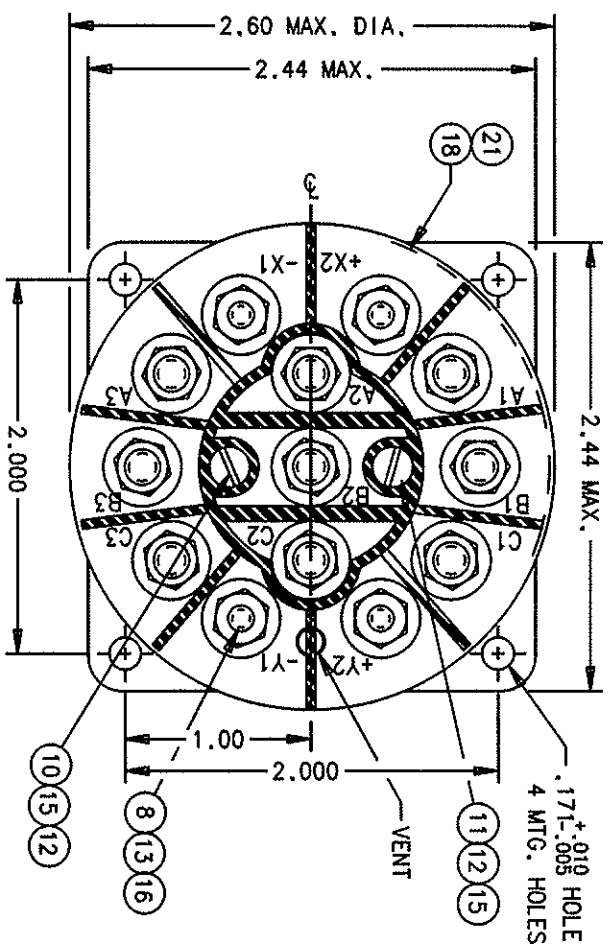


FAA-PMA

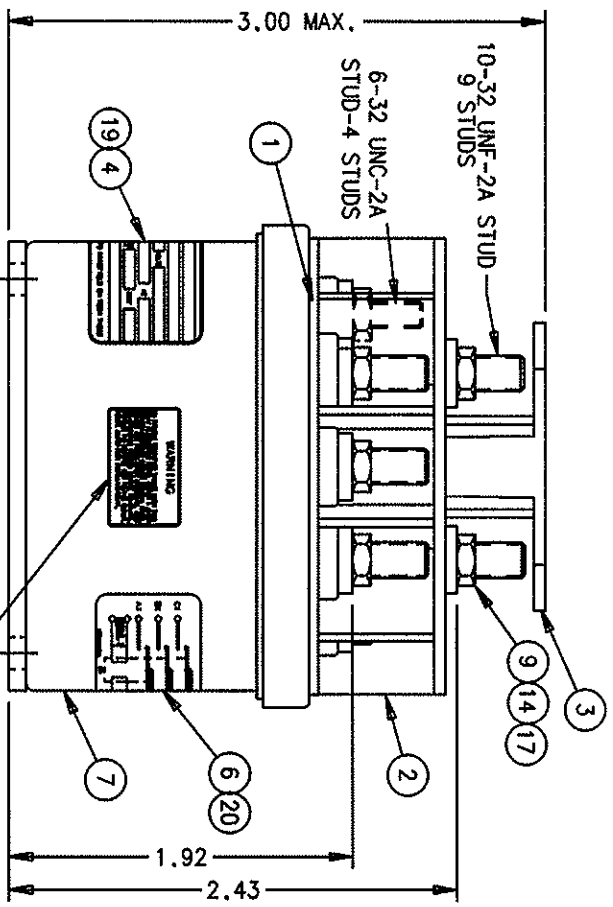
REV#	DESCRIPTION	RELEASED	DATE	APPROVED
39409	*QAM* REMOVED FROM REF. *VIBRATION* ADDED TO DATA, 1.00 & C/L ADDED, 1.92 & 2.43 ADDED		99/05/11	RS
Y 0370-02	ADDED NOTE 3; UPDATED BALLONS		02/11/27	CA



CONSTRUCTION
 NOMINAL VOLTAGE 115/200 V. 400 HZ
 CONTACTS 3 P.D.T. CENTER OFF
 CONTACT RATING 50 A. 115 V. 400 HZ
 MOTOR LOAD 20 A. 115 V. 400 HZ
 INTERRUPTING CAPACITY 100 A. 115 V. 400 HZ
 COIL RATING 28 VDC NOMINAL
 PICKUP 30 VDC MAX.
 DROPOUT 18 V. MAX AT 74°C.
 20 V. MAX AT 85°C.
 -5.5 V.

GASKET SEALED
 CONTINUOUS 06 DA 5-55 HZ
 10 G 55-1000 HZ
 5 G 1000-2000 HZ

RATED DUTY VIBRATION
 MAX. WEIGHT 15 OZ
 TEMPERATURE -55°C TO +85°C
 COIL RESISTANCE AT 25°C. 175 OHM ±10%
 MAX. COIL CURRENT AT 28 VDC AT 25°C. .18 AMP
 COIL TRANSIENT 20±10 V.



- NOTES:
- ITEMS #4,5 AND 6 LOCATION OPTIONAL.
 - FAA/PMA PLATE (AND OVERLAY) NOT REQUIRED ON UNITS SUPPLIED TO ORIGINAL EQUIPMENT MANUFACTURERS.
 - ITEM 2 SHOULD BE ORIENTED WITH THE CUTOUT TO THE RIGHT TO PROVIDE A SPACE FOR THE VENT.

QTY	PART OR IDENTIFYING NO	DESCRIPTION	NSN	DRAWING OR SPECIFICATION	MATERIAL OR NOTE
21	39529-047	OVERLAY			
20	39529-009	OVERLAY			
19	39529-023	OVERLAY			
18	58400-035	PLATE-FAA/PMA		AN935B10	BRONZE
17	51810-054	WASHER-10X 10 X .062 X .047 SPLIT		AN935B6	BRONZE
16	51806-014	WASHER-10X #6 SPLIT			BRONZE
15	51805-011	WASHER-7/16 X .203 X .031		AN961-010	BRASS
14	51702-204	WASHER-3/8 X 9/64 X .032		AN960B6	BRASS
12	51701-180	WASHER-3/16 X .103 X .015			MYLAR
11	51205-591	SCREW 5-40 X 3/8 RD.HD.			BRASS
10	51205-391	SCREW 5-40 X 1 1/8 RD.HD.			BRASS
9	50410-054	NUT 10-32 X 5/16 X 9/64			BRASS
8	50406-034	NUT 6-32 X 1/4 X 5/64			BRASS
7	20005-110	CONTACTOR ASSEMBLY PRIMARY			
6	18486-001	PLATE-WIRING DIAGRAM			
5	17959-001	PLATE-WARNING			
4	16043-060	PLATE-NAME			
3	15549-001	SHIELD-TERMINAL-TOP ZYTEL 51			
2	15549-001	SHIELD-TERMINAL ZYTEL 51			
1	15537-009	PLATE-BASE COVER			

UNLESS OTHERWISE SPECIFIED DIMENSIONS ARE IN INCHES
 TOLERANCES ARE:
 .03 * .010 * .1*

REF. BOEING
 DR BY CSCI02/11/27
 CHK BY CC 02/12/67
 ENGR MZ 03-12-05
 MFG

TYCO Electronics
 14000 Highway 175 N. Diamond Street, Murfreesboro, TN 37132
 CONTACTOR - 3PDT
 CENTER OFF
 093

SCALE 1/1 SHEET
 C 74063
 DWG NO. D-18F
 REF TYCO P/N 0-1616048-4