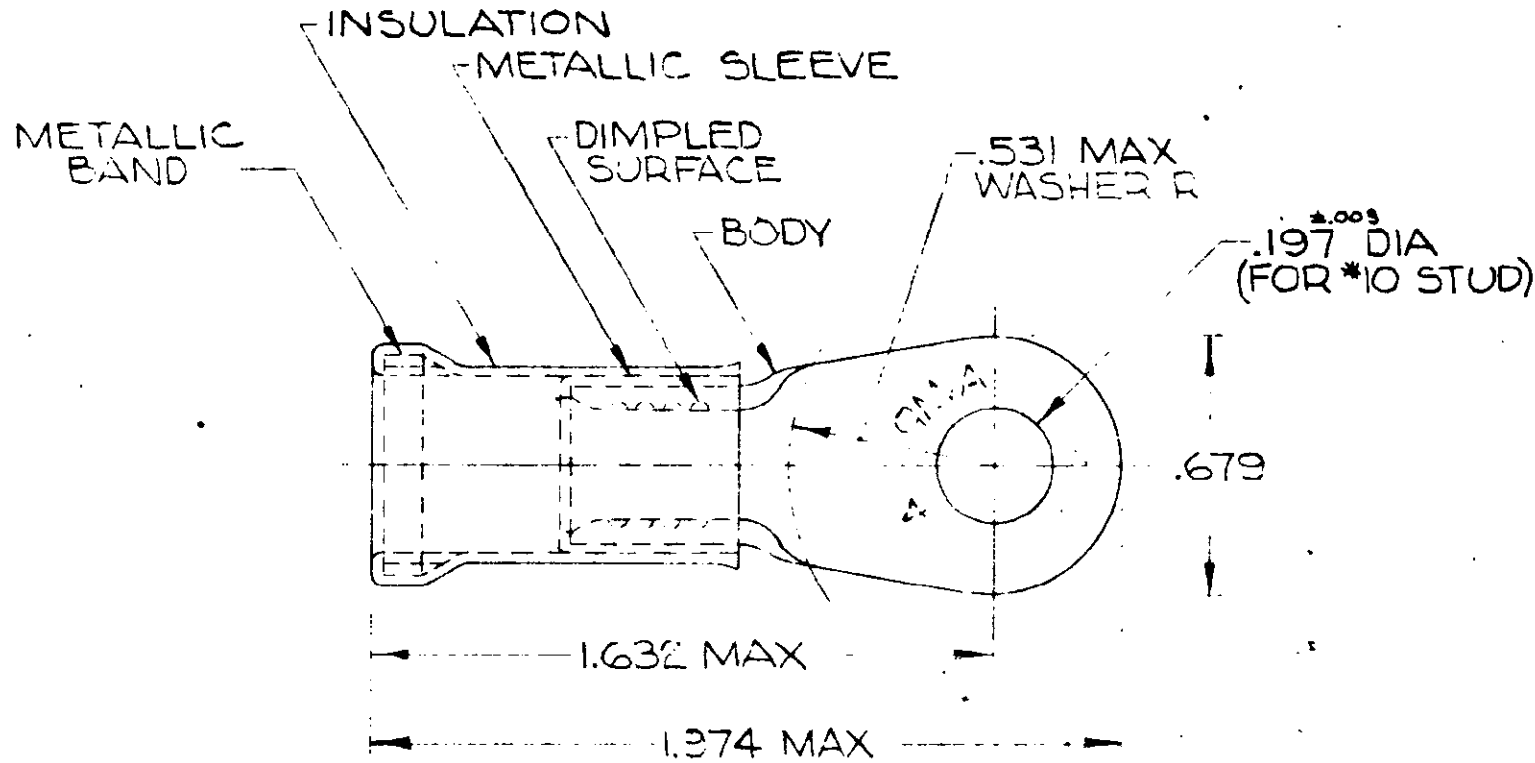


© 1953 BY AMP INCORPORATED. ALL RIGHTS RESERVED. AMP PRODUCTS COVERED BY PATENTS AND/OR PATENTS PENDING.

REVISIONS				
ZONE	LTR	DESCRIPTION	DATE	APPROVED
	B	REDRAWN & UPDATED	FY 8-14-69	Jme
	C	REVISED PER ECN P-7000	8/10/78	HTM
	D	OBsolete 1--0 G-25B1	7mF 2/16/88	MSF
	E	REV PER G-4680	JT 7/27/88	JT
	F	REV / 0720-0199-94	LO 8/2/94	me



FOR .436 MAX WIRE INSULATION DIA.
TONGUE MATERIAL THK = .048 ±.003

OBsolete		322009		1-322009-0	
		ON TAPE			
1	WIRE TERMINAL	322009	METALLIC BAND: STEEL 89-5-698 (ASTM A109) INSULATION: YELLOW PVC METALLIC SLEEVE: COPPER (QQ-C-576) BODY: COPPER (QQ-C-576) TIN PL (MIL-T-10727)		
QTY	DESCRIPTION	PART NO.	MATERIAL & FINISH		
UNLESS OTHERWISE SPECIFIED DIMENSIONS ARE IN INCHES			CONTRACT NO. 4		
TOLERANCES ON:			DR. 8-12-69		
DECIMALS ±.008			CHKD 8-14-69		
ANGLES ± 5°			APPD 8-15-69		
MATERIAL			REL 8-15-69		
SEE TABLE			DSGN APPD		
			OTHER APPD		
AMP		AMP INCORPORATED HARRISBURG, PENNSYLVANIA			
NAME WIRE TERMINAL AMPLI-BOND-RING TONGUE WIRE SIZE: 4					
SIZE	CODE IDENT NO.	NUMBER			
B	00779	322009			
SCALE 2:1		SHEET 1 OF 1			