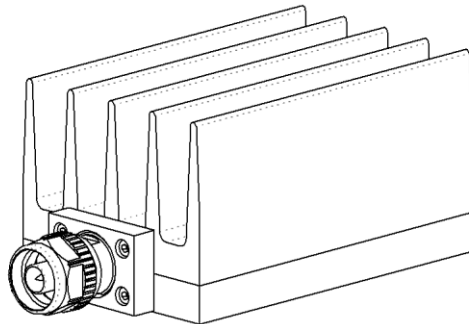
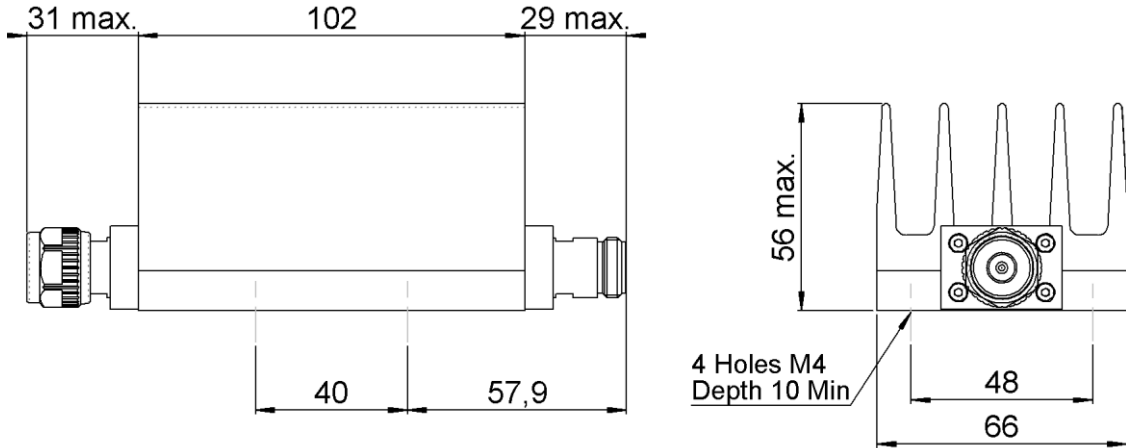
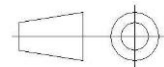


| | | | |
|----------|-----------------|-----------------------------|-------------------------------|
| PAGE 1/2 | ISSUE 12-04-16B | SERIES ATTENUATOR | PART NUMBER R417703128 |
|----------|-----------------|-----------------------------|-------------------------------|

SCALE 1 : 2



All dimensions are in mm.



| COMPONENTS | MATERIALS | PLATING (µm) |
|-----------------------|-------------------------|--|
| Body | STAINLESS STEEL | PASSIVATED |
| Male center contact | BERYLLIUM COPPER | GOLD 0.5 OVER NICKEL PHOSPHORUS 2 |
| Female center contact | BERYLLIUM COPPER | GOLD 0.5 OVER NICKEL PHOSPHORUS 2 |
| Outer contact | - | - |
| Insulator | PTFE | |
| Gasket | SILICONE RUBBER | |
| Substrate | ALUMINA | |
| Resistor | THICK FILM | |
| Others parts | ALUMINIUM | BLACK PAINTING |

| | | | |
|----------|-----------------|----------------------|-------------------------------|
| PAGE 2/2 | ISSUE 12-04-16B | SERIES ATTENUATOR | PART NUMBER R417703128 |
|----------|-----------------|----------------------|-------------------------------|

ELECTRICAL CHARACTERISTICS

| | | |
|-----------------|---------------|--------------|
| Frequency (GHz) | DC - 1 | 1 - 2 |
| V.S.W.R (≤) | 1.10 | 1.25 |
| Deviation(±dB) | 1 | 1 |

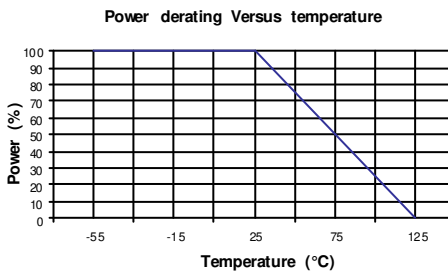
| | | |
|--|---------------|-----------------------|
| Operating Frequency Range | DC - 2 | GHz |
| Impedance | 50 | Ω |
| Nominal Attenuation | 3 | dB |
| Peak power at 25°C (1μs, 1%) | 5000 | W |
| Average power at 25°C | 80 | W (Free Air Cooled) |
| | 100 | W (Conduction Cooled) |
| For conduction cooling, a plate 1000 cm2 x 3 mm(156 sq.in*1/8) min. is required | | |

MECHANICAL CHARACTERISTICS

| | | | |
|------------|-----------------|--------------------|--------------------|
| Connectors | N | Male Female | MIL-C 39012 |
| Weight | 618,2700 | g | |

ENVIRONMENTAL CHARACTERISTICS

| | | |
|-----------------------------|------------------|----|
| Operating temperature range | -55 /+125 | °C |
| Storage temperature range | -55 /+125 | °C |



SPECIFICATION

OTHER CHARACTERISTICS