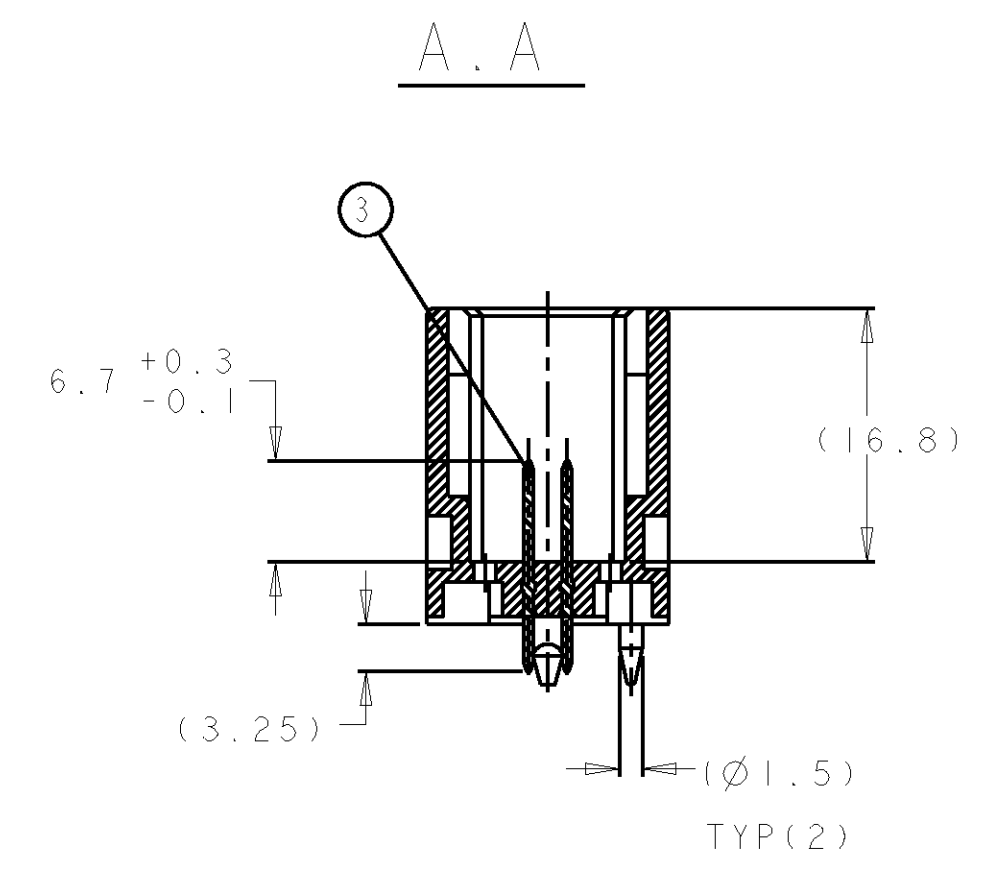
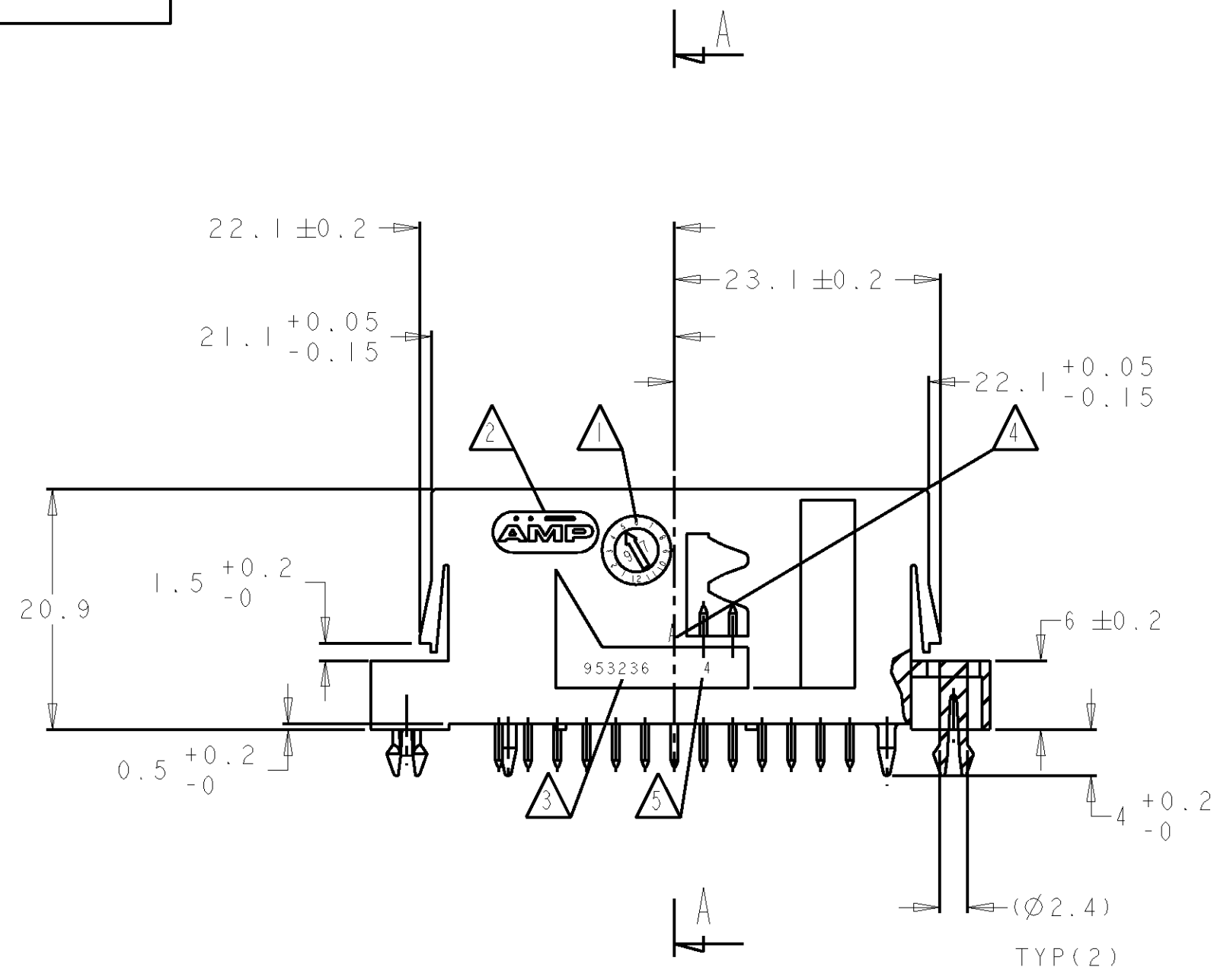
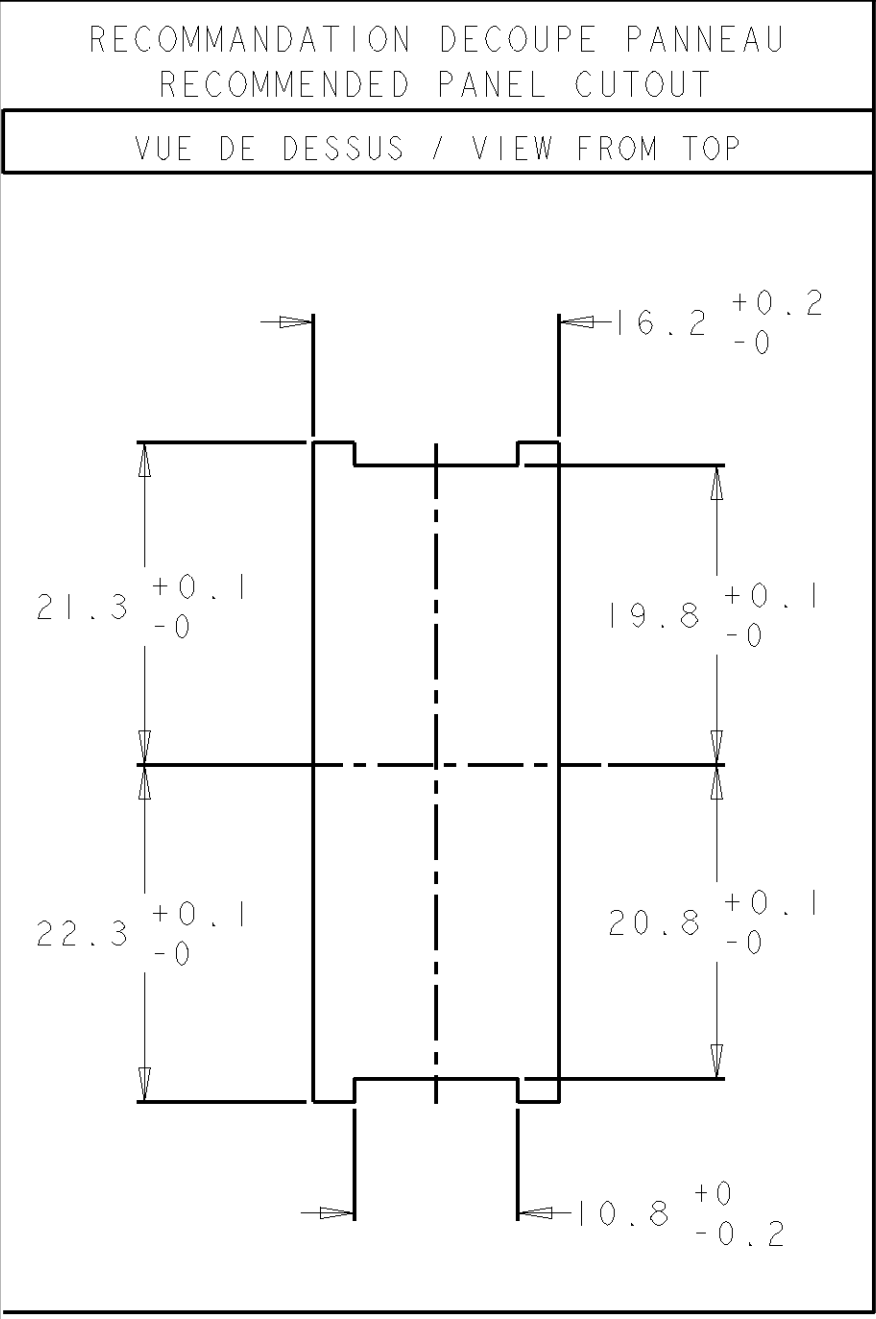
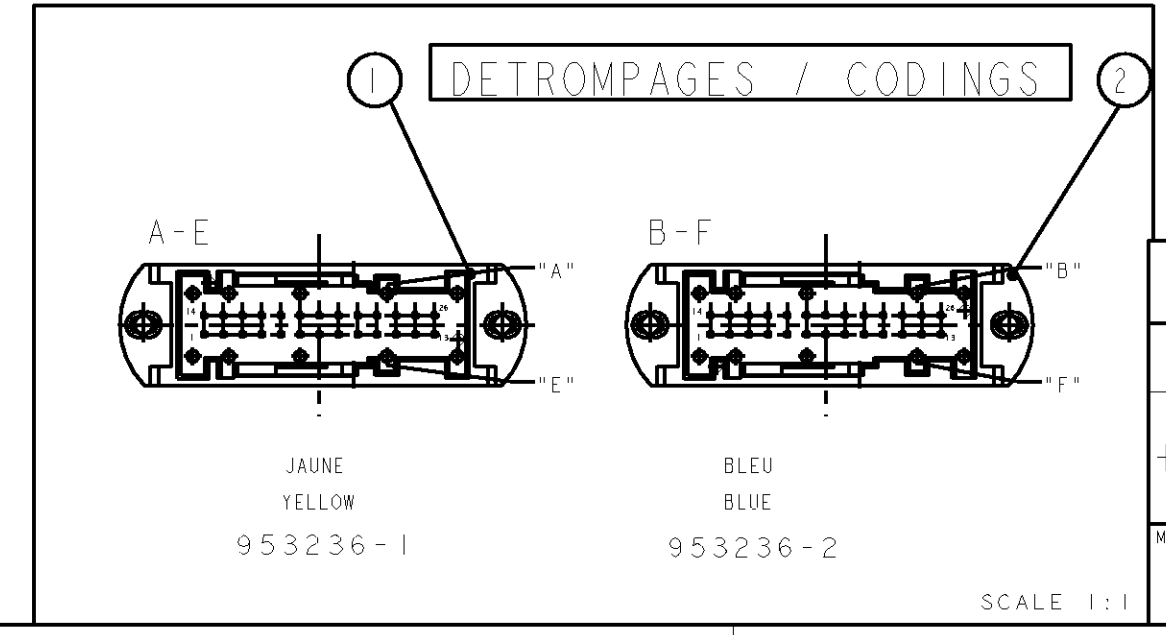
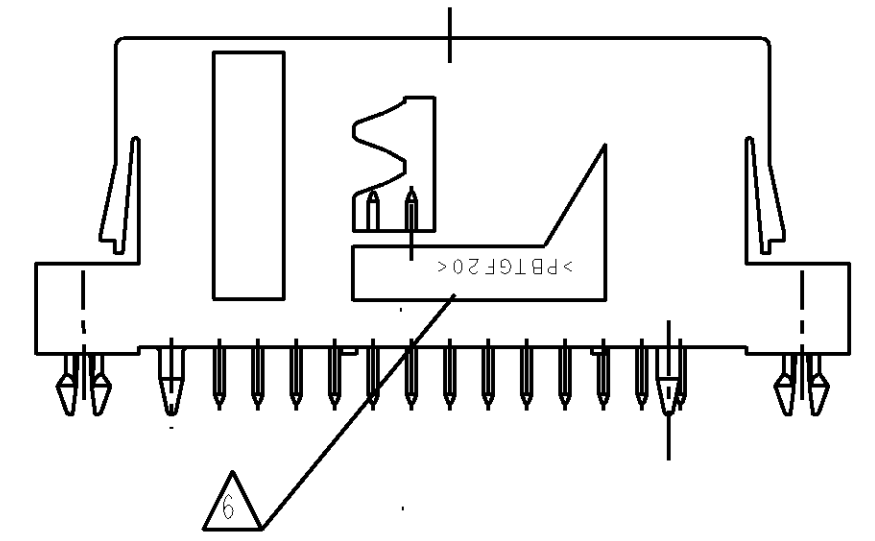
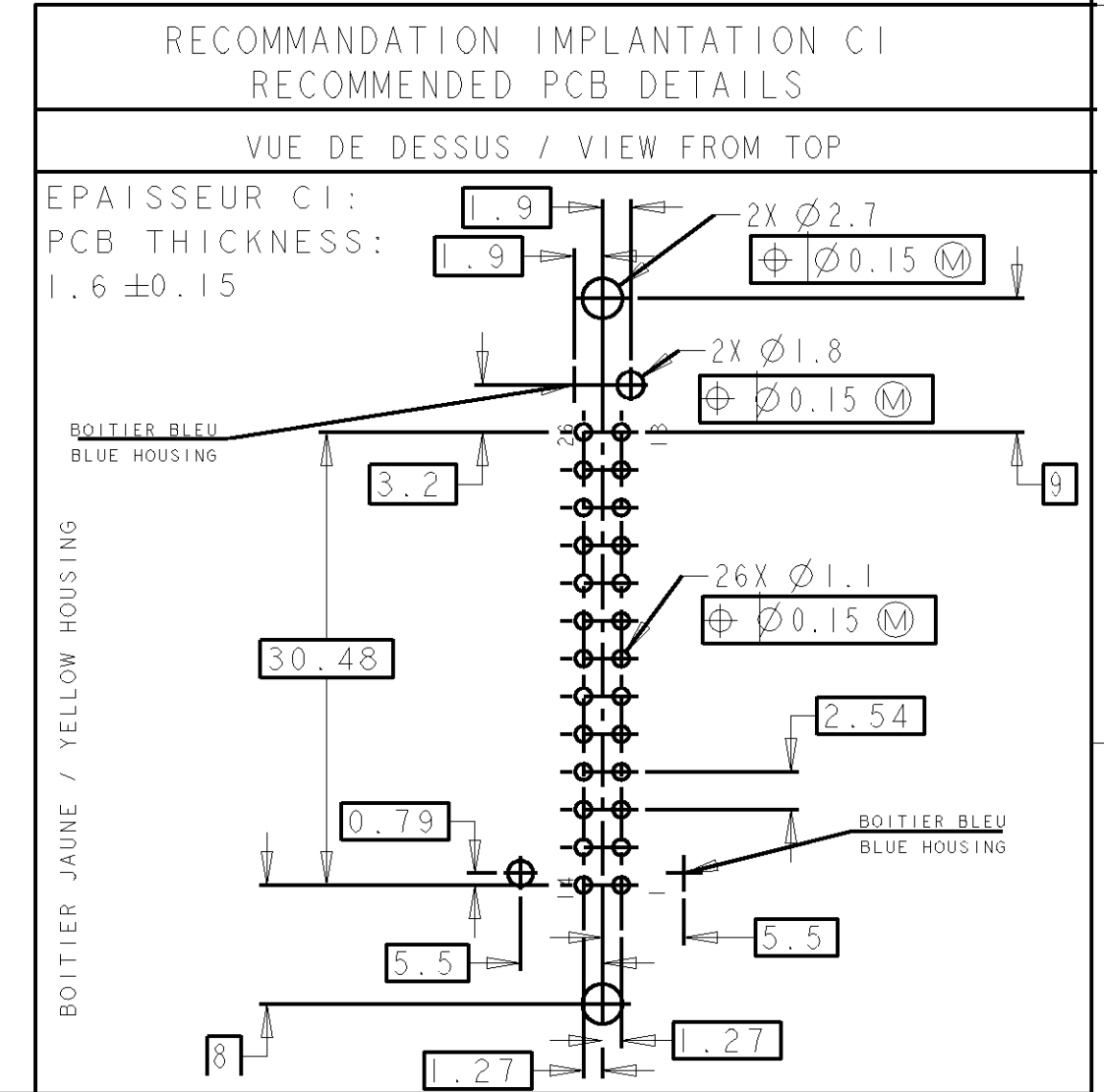
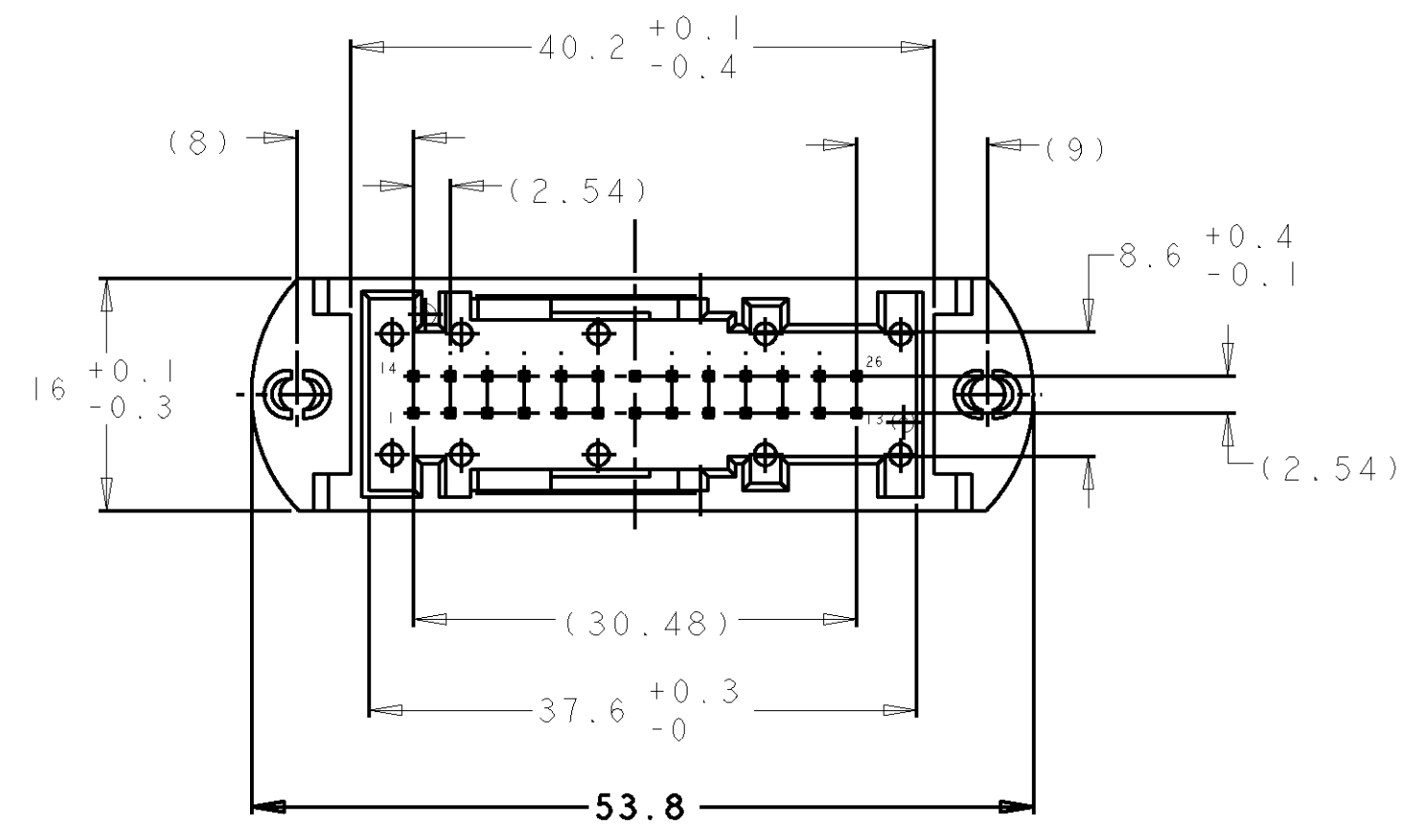


THIS DRAWING IS UNPUBLISHED. RELEASED FOR PUBLICATION 20
 © COPYRIGHT 20 BY TYCO ELECTRONICS CORPORATION. ALL RIGHTS RESERVED.

LOC		DIST		REVISIONS			
P	LTR	DESCRIPTION	DATE	DWN	APVD		
A		MISE A JOUR	FEV-98	JLQ	-		
B		MISE A JOUR MAROUAGE PIECE	MAR-99	JLQ	-		
C		PRE-TINNED PINS	30-OCT-07	M.V	J.L		



- MARQUAGES:
- 1 DATE CODE
 - 2 LOGO D'AMP
 - 3 REFERENCE DU PRODUIT ASSEMBLE
 - 4 REVISION DU MOULE
 - 5 N° D'EMPREINTE DU MOULE
 - 6 MATIERE
- MARKING:
- 1 DATE CODE
 - 2 AMP LOGO
 - 3 ASSY PART NUMBER
 - 4 REVISION STATUS
 - 5 CAVITY MARKING
 - 6 MATERIAL REFERENCE



DIMENSIONS: mm		TOLERANCES UNLESS OTHERWISE SPECIFIED:		DWN J. LAQUERBE 29-SEP-97		Tyco Electronics France SAS 95300 Pontoise, France	
MATERIAL		FINISH		CHK J. LAQUERBE 19-APR-99		NAME	
SEE TABLE		SEE TABLE		APVD D. MIYI 19-APR-99		EMBASE 26V MQS DROITE AVEC BOARD-LOCKS 26W MQS STRAIGHT HEADER WITH BOARD-LOCKS	
WEIGHT 7.5 g		SCALE 2:1		PRODUCT SPEC 108-15181		SIZE CAGE CODE DRAWING NO RESTRICTED TO	
CUSTOMER DRAWING		SHEET 1 OF 1		APPLICATION SPEC		A200779 C-953236	

REF / ASSY PN	QTY	MATERIAL	DESIGNATION / NAME	COULEUR / COLOR	REP
953236-1	26	CuSn6	CONTACT MQS 0.63X0.63	PRE ETAME / PRE-TIN	3
953236-2	-	PBT GF20	BOITIER / HOUSING	BLEU / BLUE	2
	1	PBT GF20	BOITIER / HOUSING	JAUNE / YELLOW	1