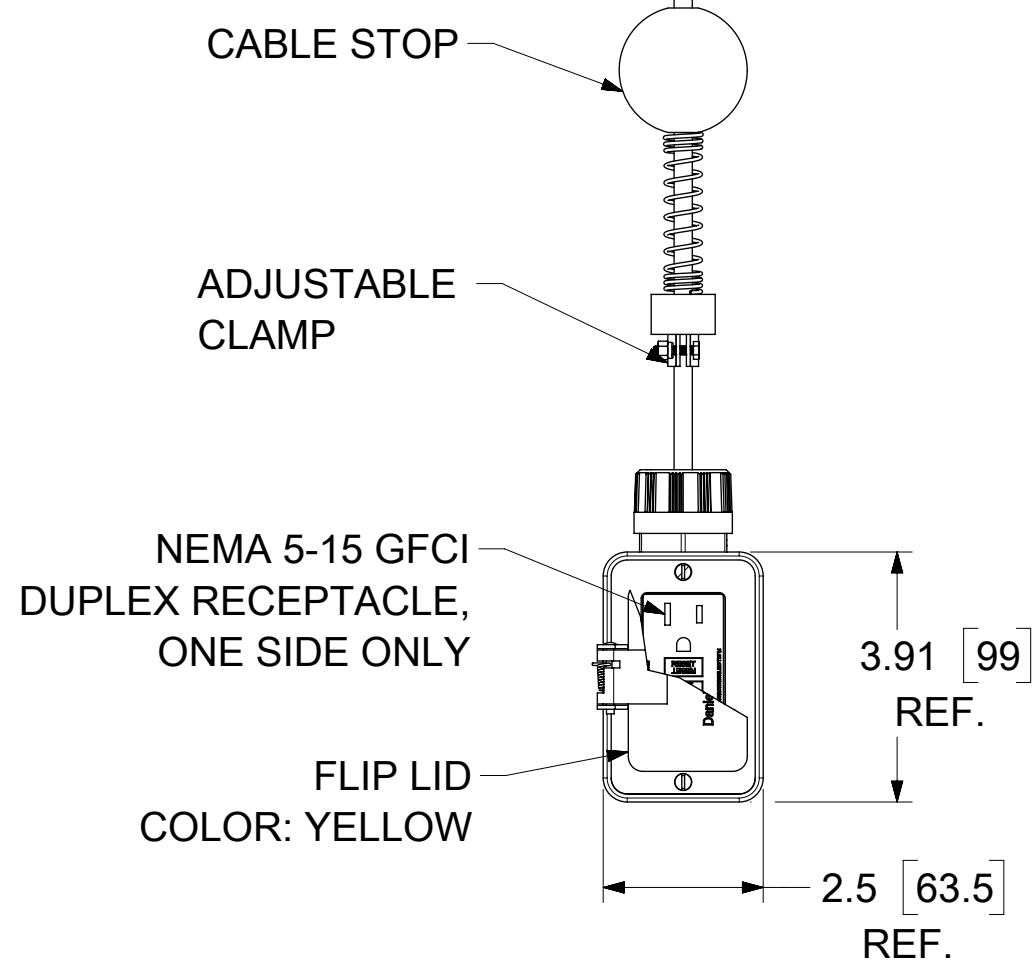
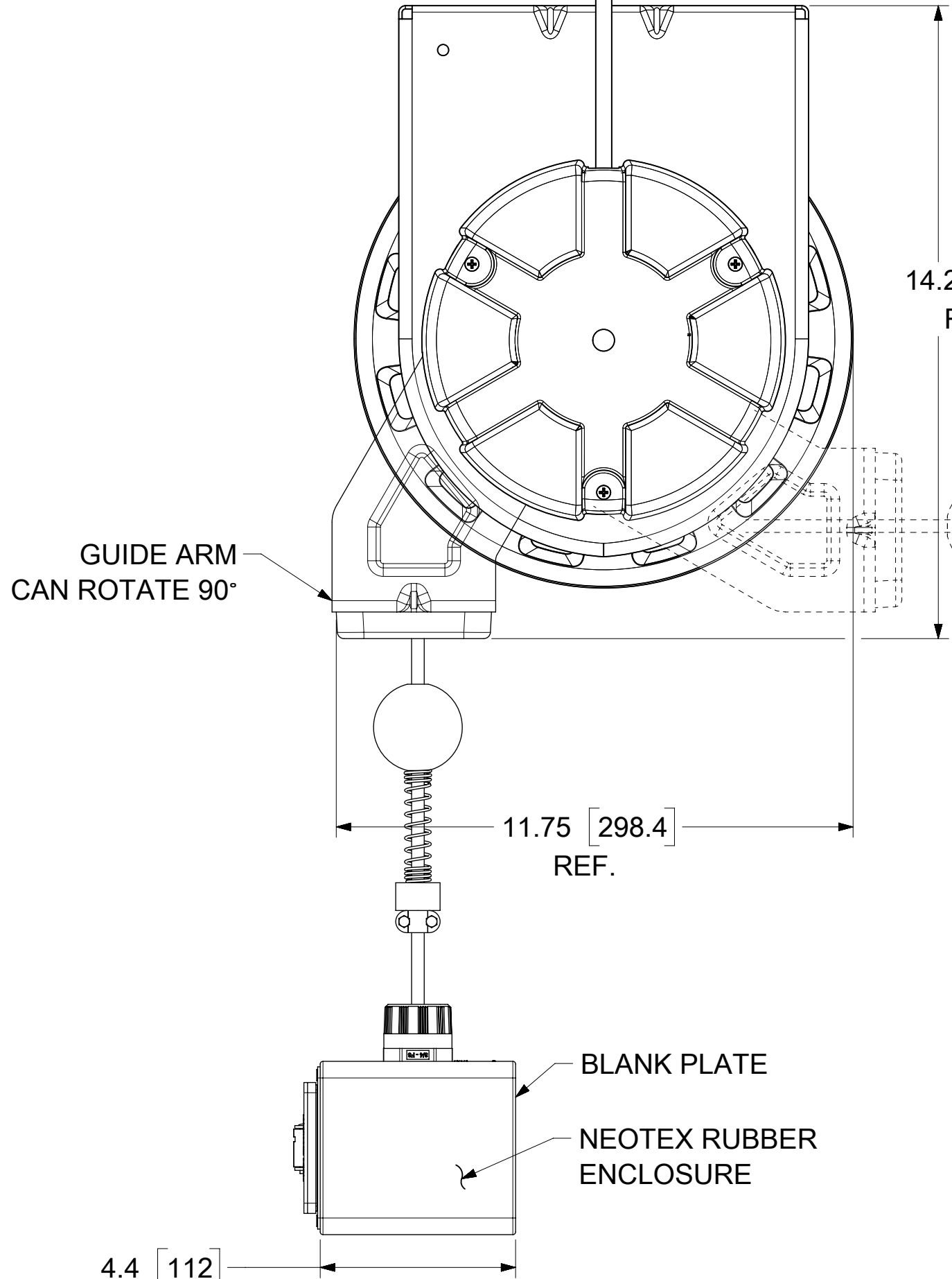
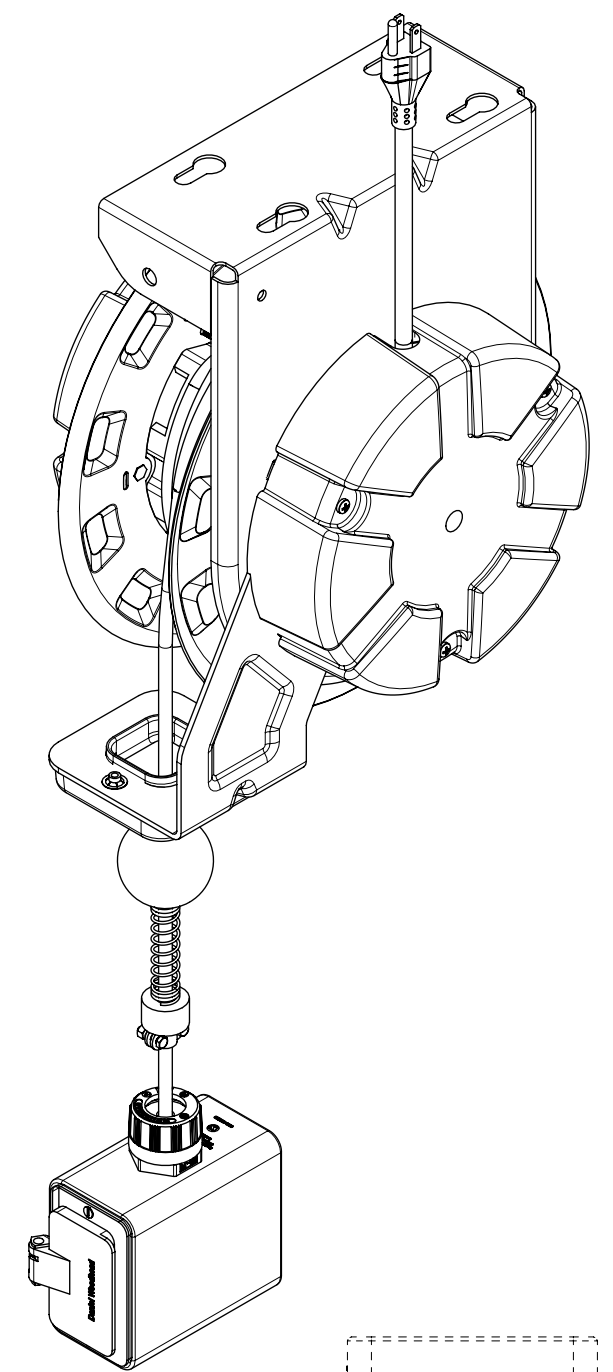
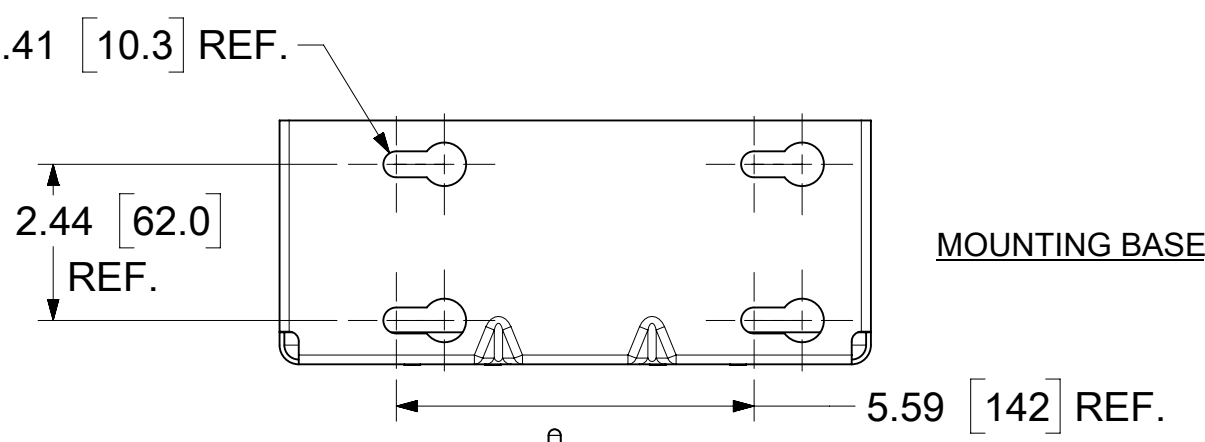
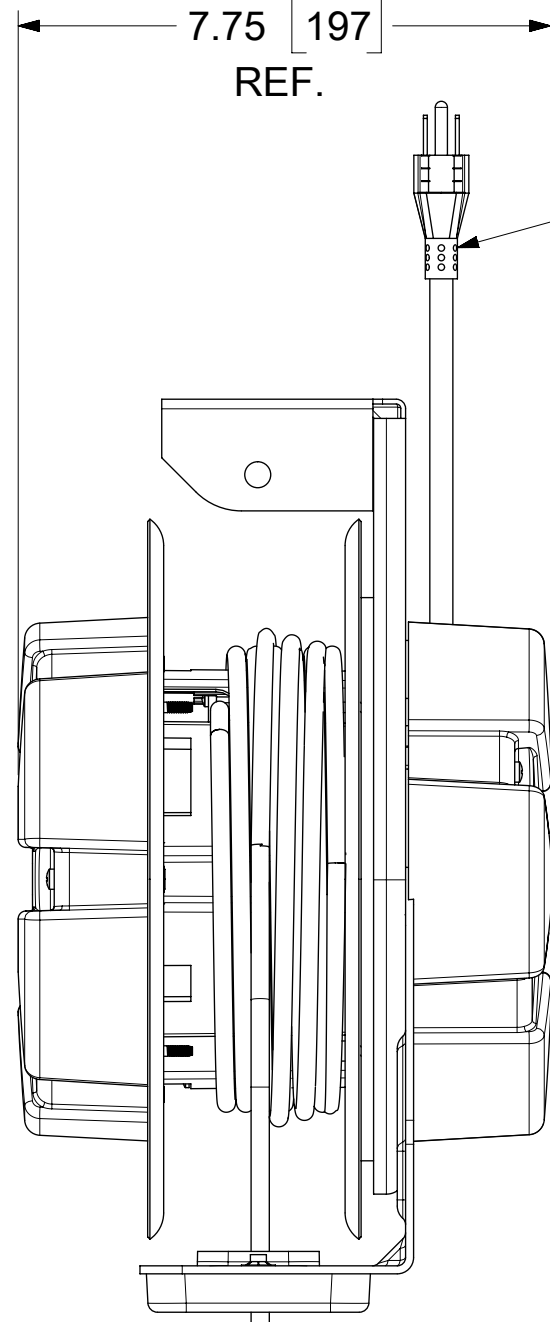


ORDER NO	130091-0025
WOODHEAD ENG. NO	980-3070G
WIRE GAUGE	16
CONDUCTORS	3
AMPERAGE	8A
WORKING CORD	50 FT. YELLOW
CORD TYPE	SJTOW
CONSTRUCTION	STEEL
PAINT	YELLOW POWDER COAT
REEL ENCLOSURE RATING	INDOOR
RETRACTION WEIGHT	2.0 LB [0.907 KG]



- NOTES:**
1. CABLE GUIDE IS ADJUSTABLE - DUAL POSITION
 2. RATCHET LOCK IS EASY TO DISENGAGE FOR CONSTANT TENSION
 3. REEL CANNOT BE "LOCKED OUT" AT FULL TENSION
 4. CABLE STOP INCULDED

FUNCTIONAL SYMBOLS $F_A = 0$ $F_E = 0$ $F_P = 0$ DIVISIONAL SYMBOLS	THIS DRAWING CONTAINS INFORMATION THAT IS PROPRIETARY TO MOLEX ELECTRONIC TECHNOLOGIES, LLC AND SHOULD NOT BE USED WITHOUT WRITTEN PERMISSION		CURRENT REV DESC: RELEASE CUSTOMER DRAWING	
	DIMENSION UNITS	SCALE	GENERAL TOLERANCES (UNLESS SPECIFIED)	
	INCH/MM	NTS	MM	INCH
	4 PLACES ±	±	3 PLACES ±	± 0.005
		2 PLACES ±	± 0.13 ± 0.01	
		1 PLACE ±	± 0.25 ± 0.02	
		0 PLACES ±	±	
		ANGULAR TOL ± 0.5°		
DRAFT WHERE APPLICABLE MUST REMAIN WITHIN DIMENSIONS		THIRD ANGLE PROJECTION	DRAWING C-SIZE	SERIES 130091
		EC NO: 661279	DRWN: DSOPPIN	2020/07/02
		CHK'D: DSOPPIN	APPR: HKNEELAND	2022/05/19
		INITIAL REVISION:	DRWN: DSOPPIN	2020/07/02
		APPR:		
DOCUMENT STATUS		DOCUMENT NUMBER	DOC TYPE	DOC PART
P1	RELEASE DATE 2022/05/19 17:11:44	1300910025	PSD	000
		CUSTOMER	SHEET NUMBER	
		GENERAL MARKET	1 OF 1	

molex

CORD REEL W/3070-GFI BOX
50' #16-3 CORD

PRODUCT CUSTOMER DRAWING