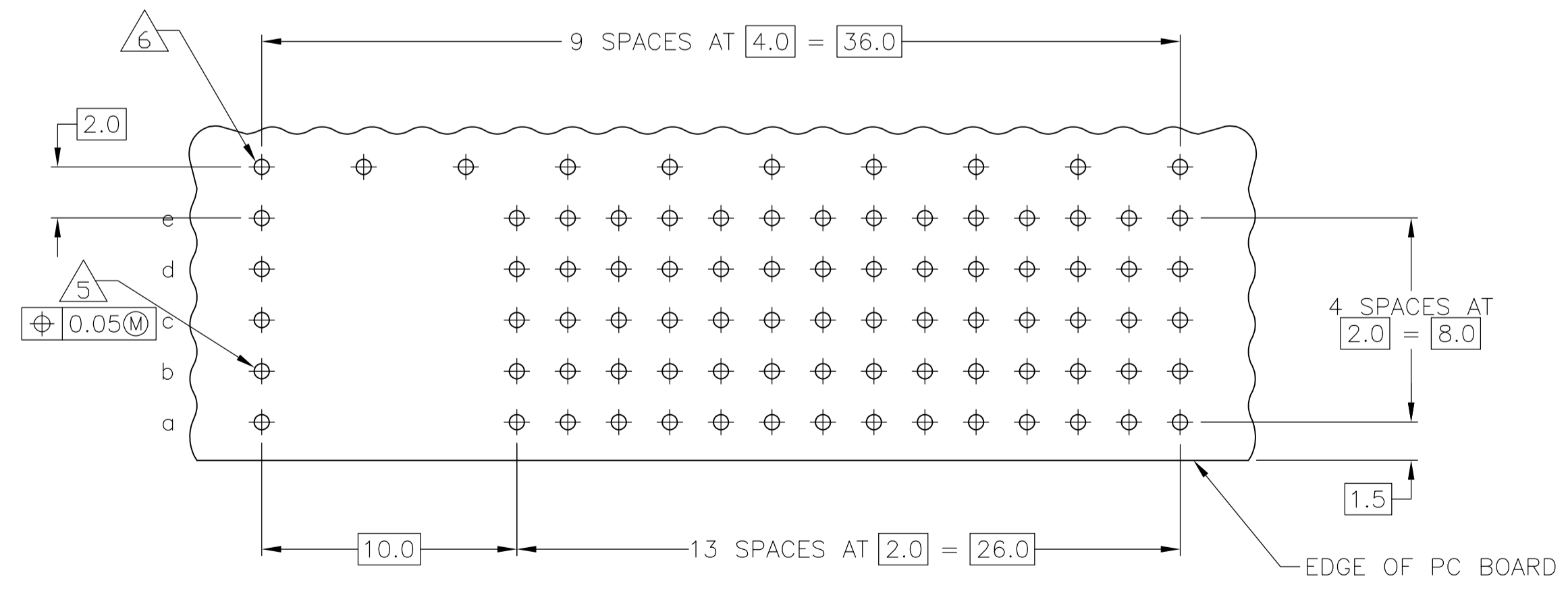
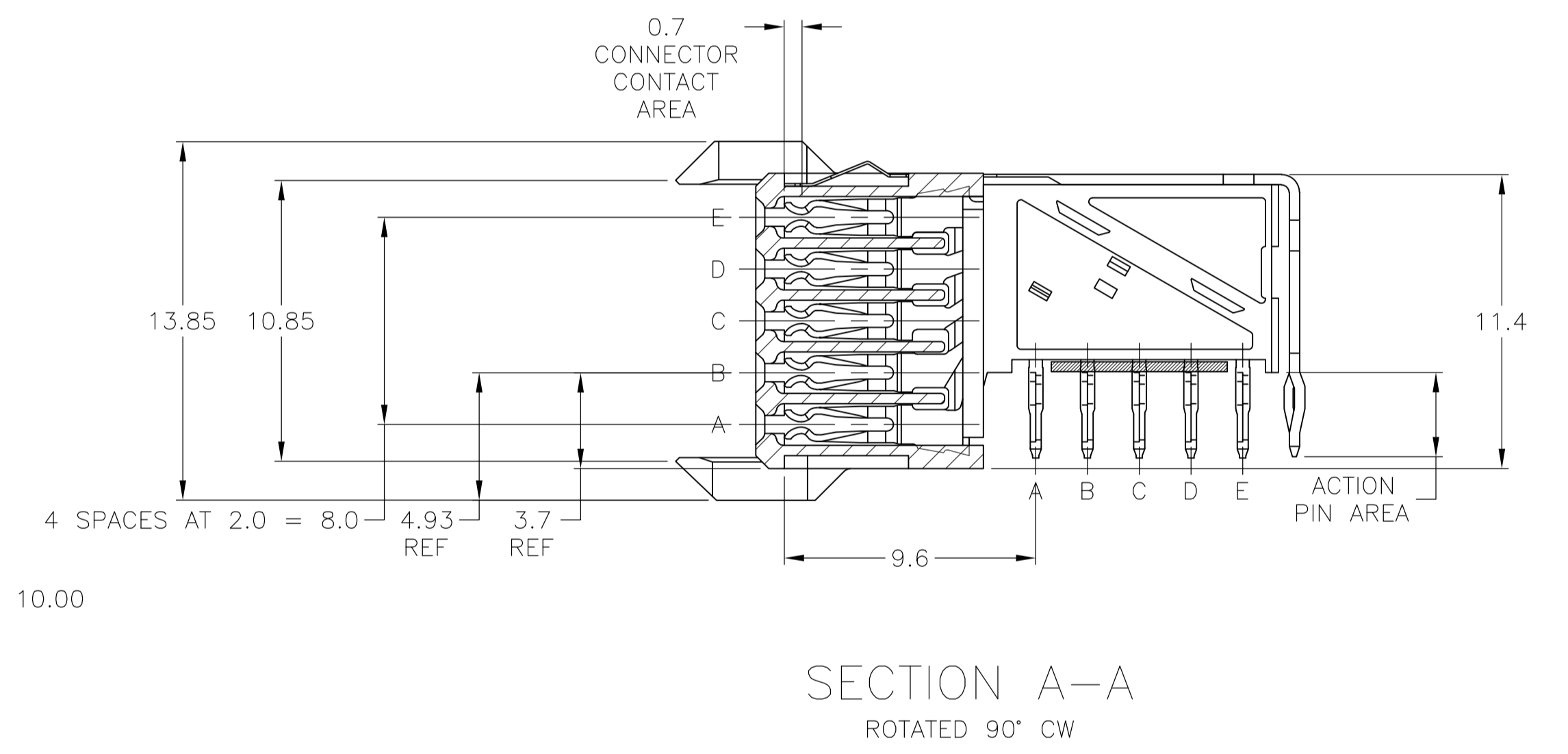
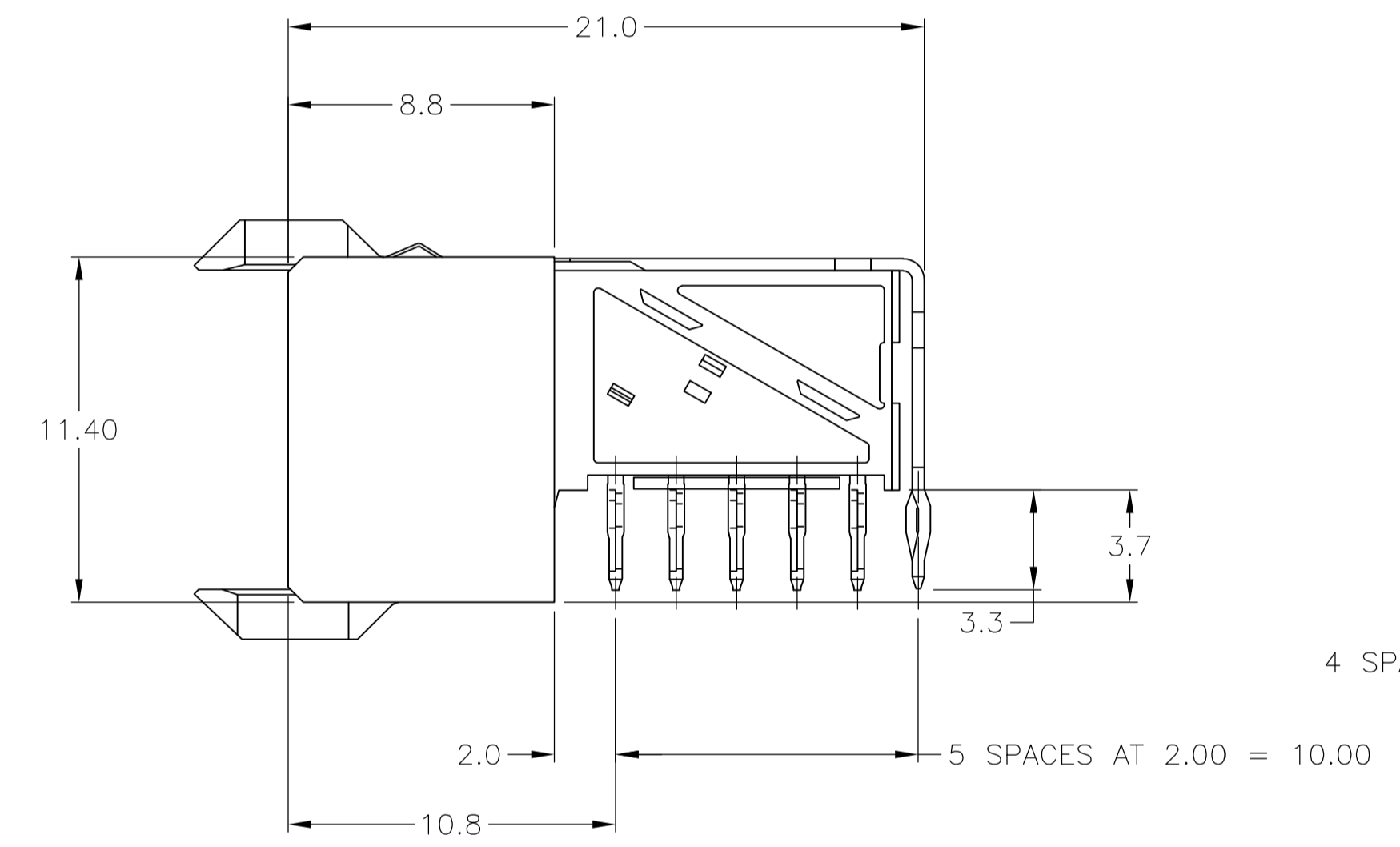
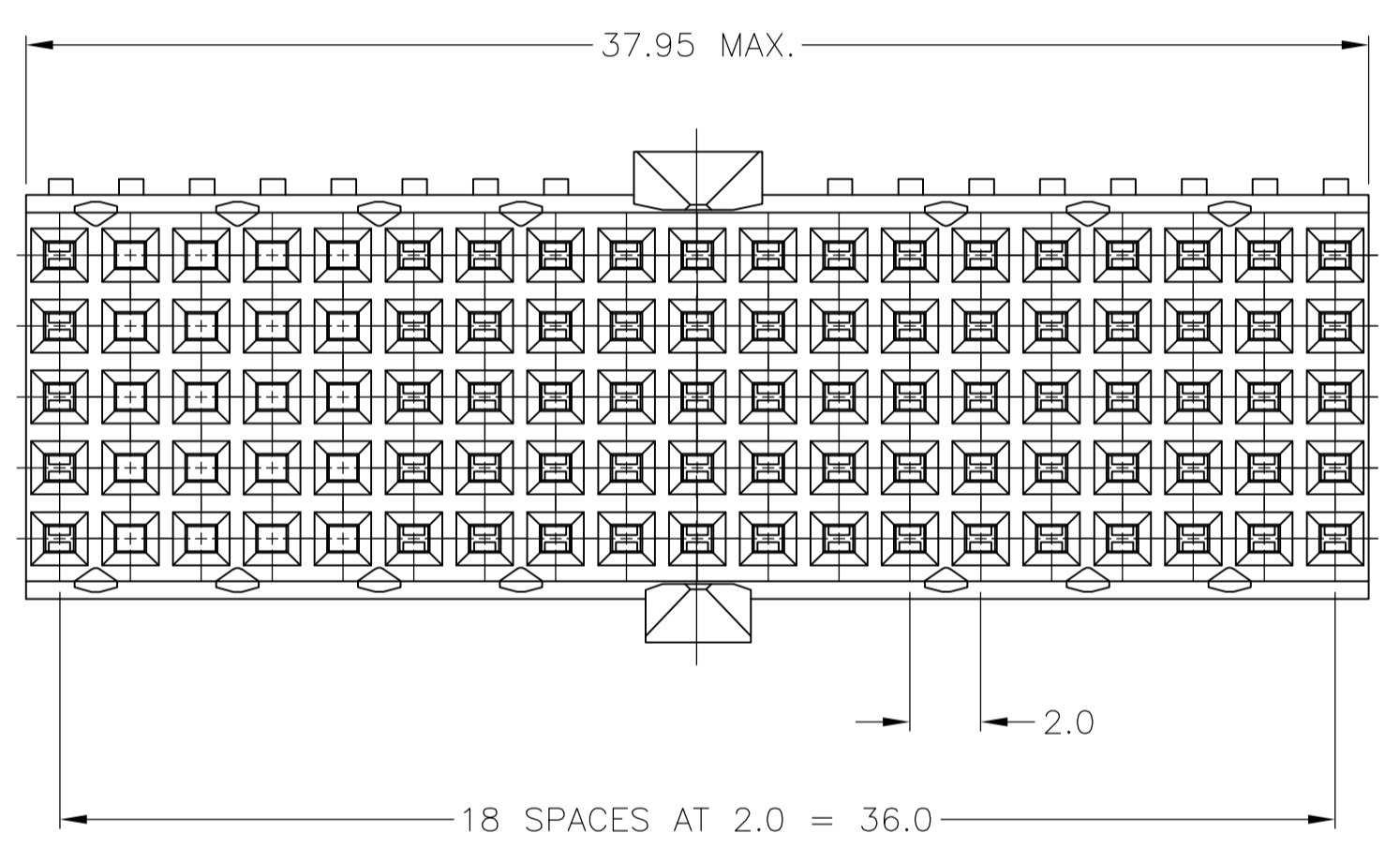
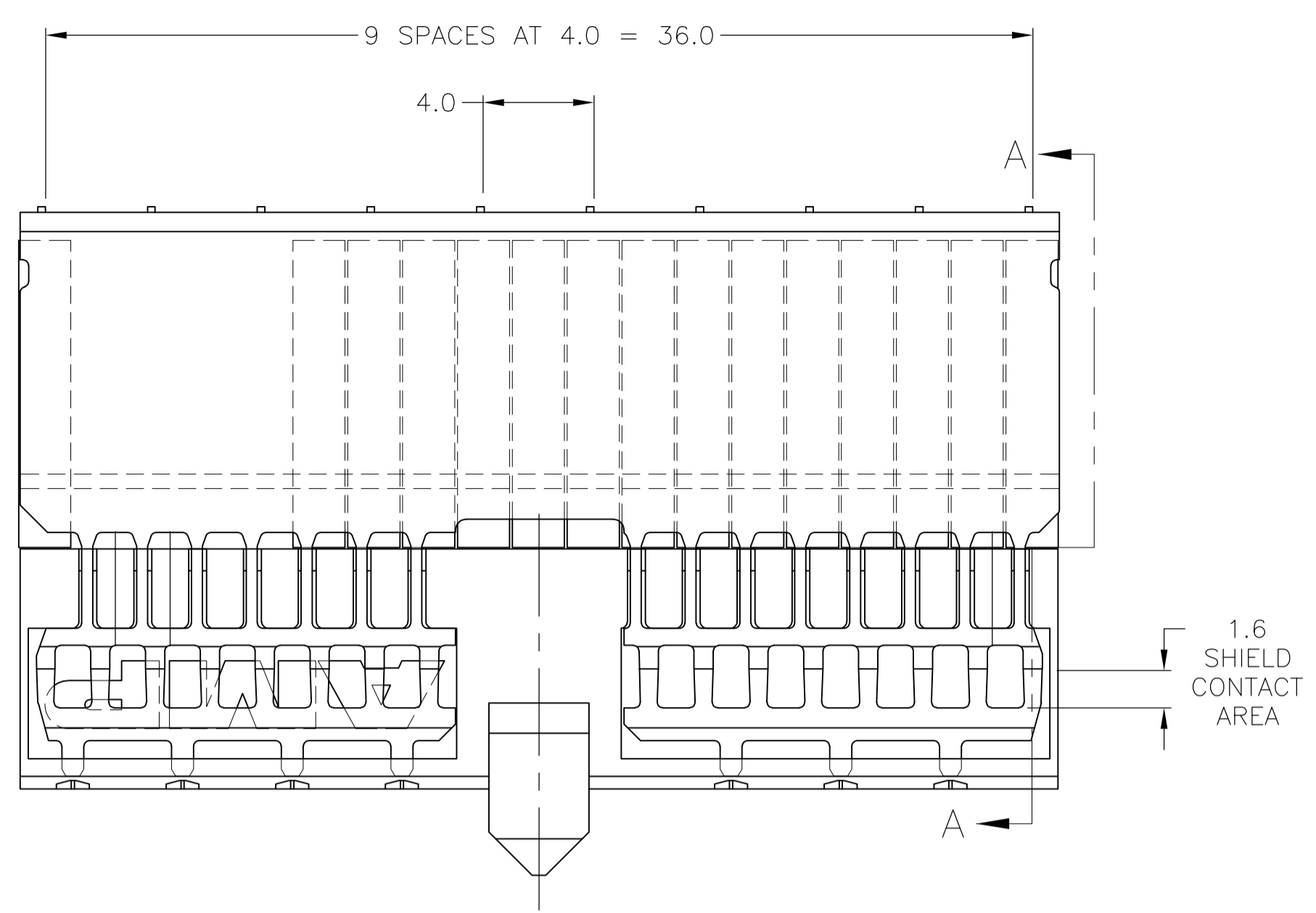


| LOC | | DIST | | REVISIONS | | | |
|-----|-------------------------|---------|------|-----------|------|------|--|
| AD | 00 | REV | DATE | BY | CHKD | APVD | |
| O | REV PER EC 0512-0319-04 | 01AUG05 | BC | GS | | | |
| A | ECR-10-018652 | 10SEP10 | SW | MQW | | | |
| B | ECO-11-024491 | 13DEC11 | SY | MQW | | | |



- 1 MATERIAL:
CONTACT: PHOSPHOR BRONZE.
HOUSING: GLASS-FILLED POLYESTER.
- 2 GENERAL PLATING SPECIFICATION: UNDERPLATING
(ENTIRE CONTACT): 1.27µm MIN NICKEL AND ACTION
PIN: 0.5µm MIN TIN.
FOR PLATING OF MATING SURFACES SEE APPLICABLE
SPECIFICATION REFERENCE FOR EACH DASH NUMBER.
- 3 CONFORMS TO ALL TESTING ACCORDING TO IEC 61076-4-101
PERFORMANCE LEVEL 2.
- 4 PART NUMBER AND DATE CODE MARKED LOWEST LEVEL OF PACKAGING.
- 5 PLATED THROUGH HOLES AT 2mm SQUARE GRID, 75 HOLES.
PC BOARD HOLES ARE AS FOLLOWS:
DRILLED HOLE: 0.700±0.025.
FINISHED HOLE: 0.55-0.65.
COPPER THICKNESS: 0.025-0.050.
TIN THICKNESS: 0.004-0.010 (OPTIONAL).
- 6 10 PLATED THROUGH HOLES FOR UPPER SHIELD, ROW F.
- 7 SHIELD MOUNTED TO CONNECTOR WITH ADHESIVE.

6645021-1
PART NUMBER

RECOMMENDED PC BOARD LAYOUT
COMPONENT SIDE

| | | | |
|--|------------|---|---|
| THIS DRAWING IS A CONTROLLED DOCUMENT. | | DIN B CARBO 01AUG05 | Tyco Electronics Corporation Harrisburg, Pa 17105-3608 |
| DIMENSIONS: mm | | CHK G SKIPPER 01AUG05 | |
| TOLERANCES UNLESS OTHERWISE SPECIFIED: | | APVD G SKIPPER 01AUG05 | NAME |
| 0-PLC ± | | RECEPTACLE ASSEMBLY, Z-PACK 2mm HM, TYPE A/B, PRE-SHIELDED, 75 POSITION | |
| 1-PLC ± | | APPLICATION SPEC | |
| 2-PLC ± | | SIZE | |
| 3-PLC ± | | CAGE CODE | |
| 4-PLC ± | | DRAWING NO | |
| ANGLES ± | | RESTRICTED TO | |
| MATERIAL 1 | FINISH 2 3 | WEIGHT | SCALE |
| CUSTOMER DRAWING | | A1 00779 C=6645021 | SHEET 1 OF 1 REV B |