

Materials

1. Contact: zinc, 1-1.5 µm nickel plated
2. Shell: stainless steel, 1-2 µm nickel plated
3. Insulator: POM, black
4. Insulation paper: micarex, natural color
5. Screw: stainless steel

Ratings

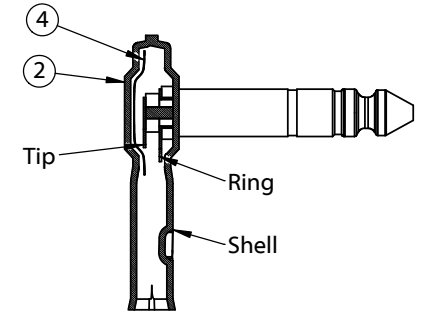
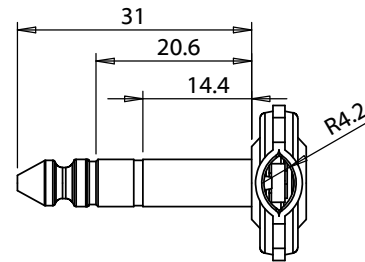
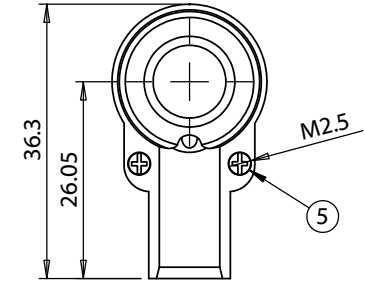
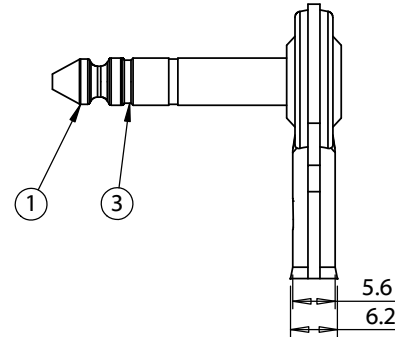
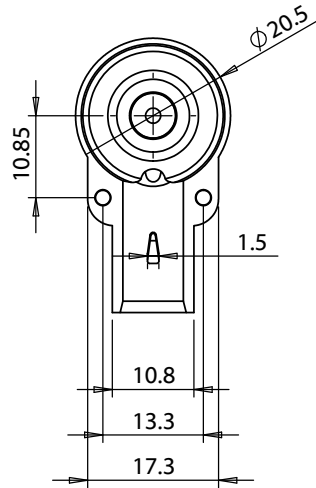
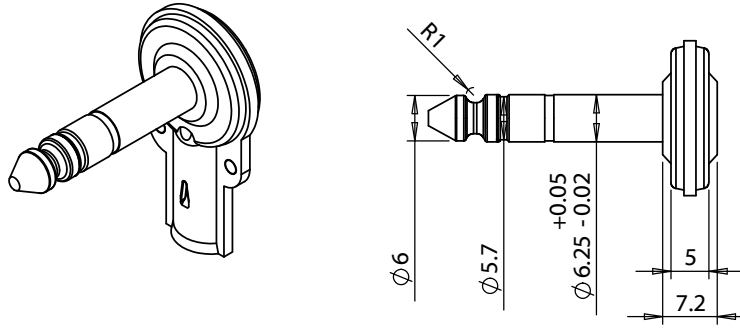
Operating temperature: -30°C ~60°C
 Current rating: 10 A @ 250 Vac, 10 A @ 500 Vdc

Electrical requirements

Withstand voltage: 500 - 2000 Vac, 800 Vdc
 Insulation resistance: ≥ 100 MΩ
 Contact resistance: ≤ 20 mΩ

Mechanical requirements

Insertion force: 1.0 - 2.0 kgf
 Withdrawal force: 1.0 - 2.0 kgf



Cross section

REVISION	DATE	DESCRIPTION
A	12/5/11	initial release
A1	10/1/12	updated to show coating
A2	6/18/13	updated description
A3	3/12/14	changed materials

PREPARED:

JM
 2014.03.13 10:25:31 -07'00'

VERIFIED:

LA

Digitally signed by LA
 DN: cn=LA, ou=Tensility, ou,
 email=QA0001@tensility.com,
 c=US
 Date: 2014.03.13 11:45:20 -07'00'

DIMENSIONS ARE IN MILLIMETERS

TOLERANCES:
 X: ± 0.5 mm
 X.X: ± 0.3 mm
 X.XX: ± 0.05 mm

NOTES

RoHS and REACH compliant

Function test: no open, no short circuit, no INT

Tip and ring solder contact orientation may vary. This doesn't affect the function or performance of the connector.

DESCRIPTION:

Connector, audio plug, 6.3 mm, right angle, shielded handle, assembly type

TENSILITY

20802 Sockeye Place #130
 Bend, OR 97701 USA
 tel 541.323.3228 fax 541.323.4202
 800 877.670.7118 www.tensility.com

SIZE A PART NUMBER **50-00185**

SCALE: 5:1 WEIGHT: SHEET 1 OF 1