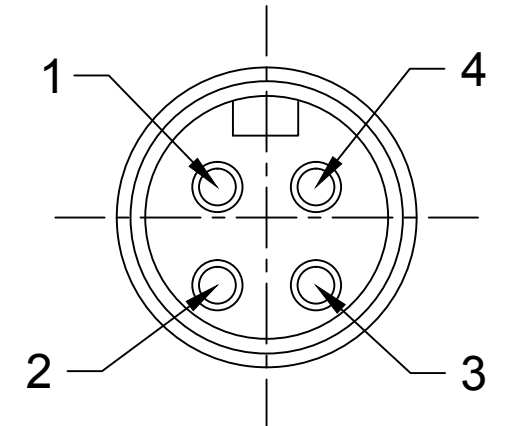
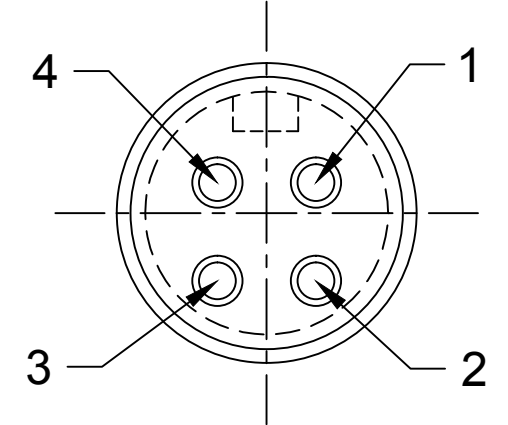


FACE VIEW-MALE INSERT



BACK VIEW-MALE INSERT

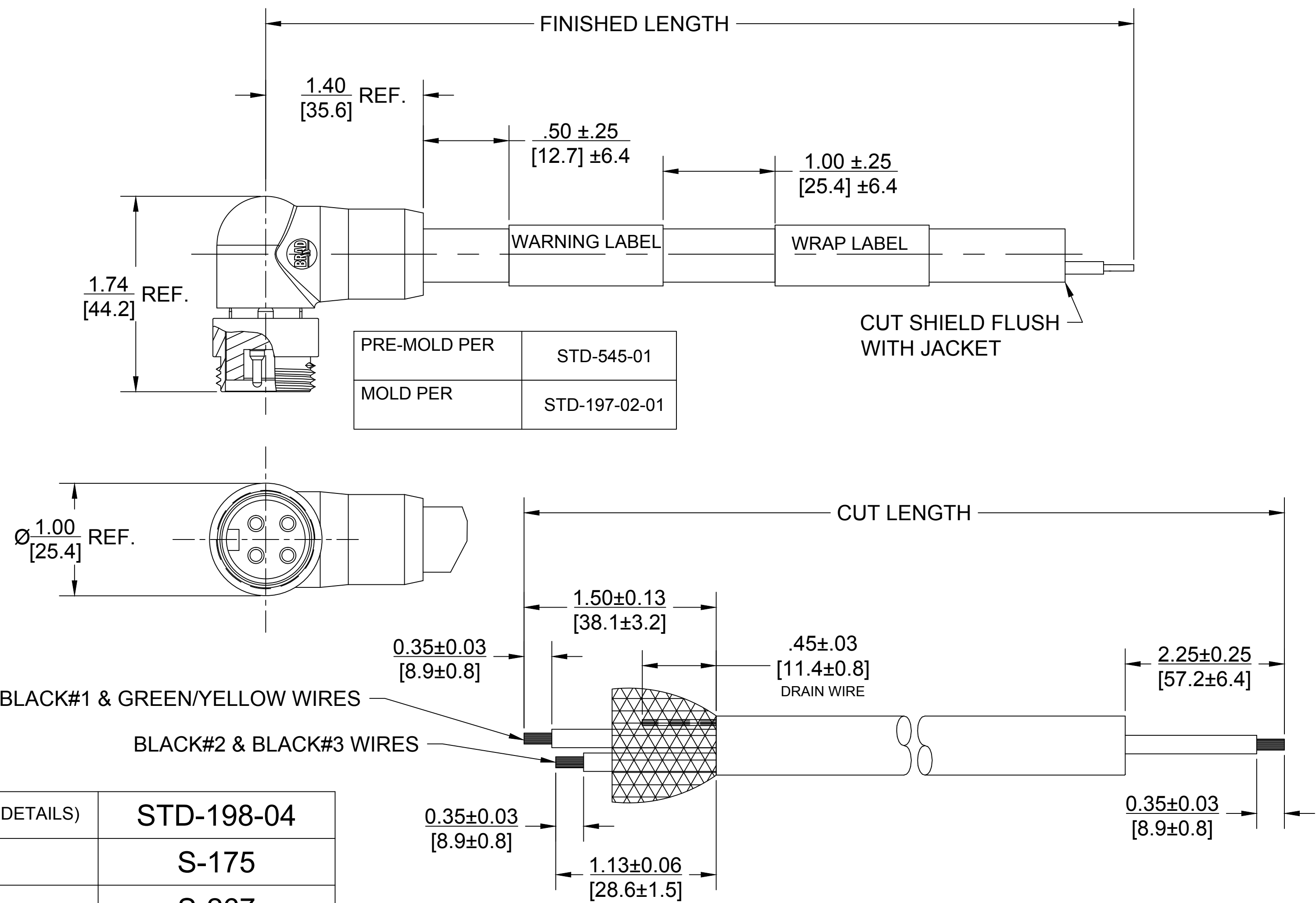


- 1 BLACK#1
- 2 BLACK#2
- 3 BLACK#3
- 4 GREEN/YELLOW

NOTES

1 PREPARE CABLE PER (SEE PRINT FOR EXTRA DETAILS)	STD-198-04
2 CABLE LENGTH TOLERANCES PER	S-175
3 CRIMP CONTACTS PER	S-267
4 APPLY WARNING LABEL 31-5561-01 AS SHOWN IN THE PRINT	
5 APPLY ADHESIVE PER	S-136
6 TEST PER	S-165
7 MARK LABEL PER	S-189
8 PACKAGE PER	S-167
9 INSTRUCTIONS PER	S-208

SAP P/N #	ENGINEERING P/N	FINISHED LENGTH
1300090835	104S07D27M0403	4M +165.1mm-0 (157.48" +6.5"-0)
1300090836	104S07D27M0503	5M +165.1mm-0 (196.85" +6.5"-0)



BLACK#1 & GREEN/YELLOW WIRES

BLACK#2 & BLACK#3 WIRES

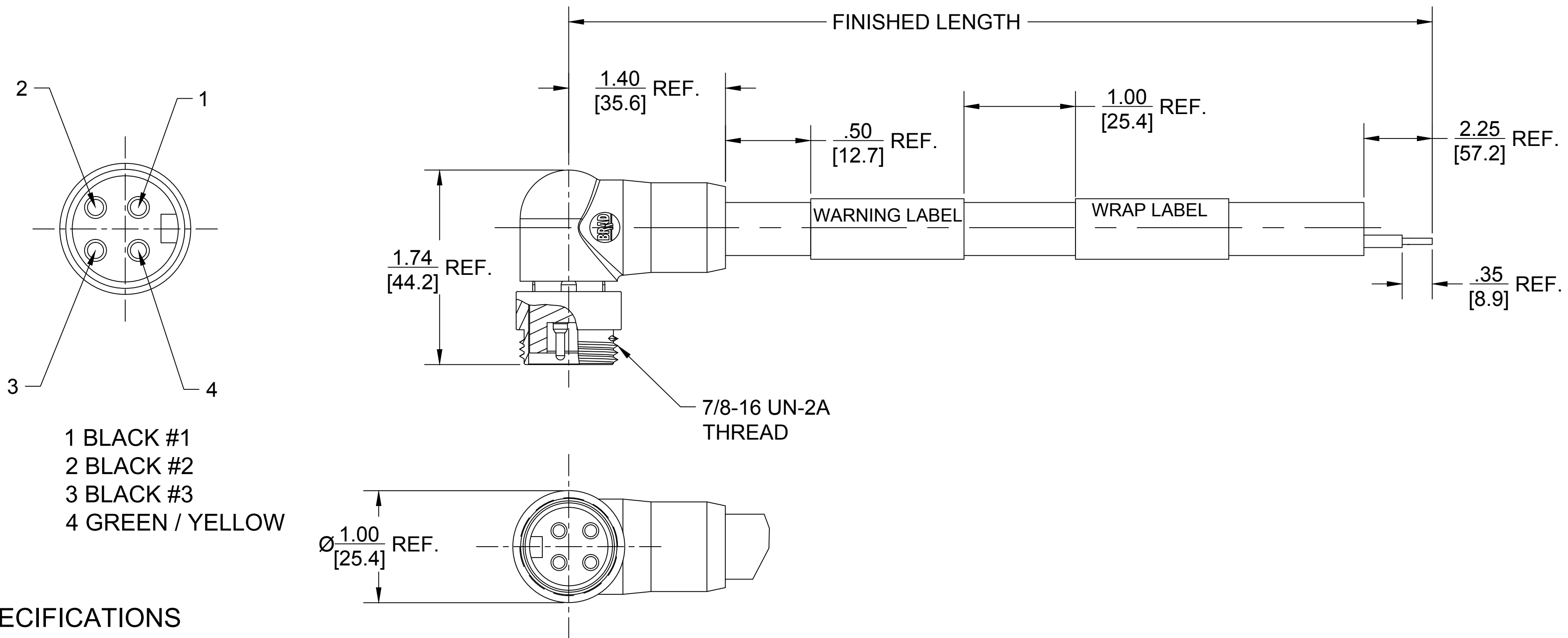
ADDED DIM. TO DRAIN WIRE	QUALITY SYMBOL
EC NO.: IPG2016-0121	▽=0
DRWN: BARDEN 2015/07/24	∇=0
CH'KD: ---	
APPR: KJOZWIK 2015/06/29	
DESCRIPTION	

GENERAL TOLERANCES (UNLESS SPECIFIED)	
	mm INCH
4 PLACES	±--- ±---
3 PLACES	±--- ±.005
2 PLACES	±0.13 ±.010
1 PLACE	±0.25 ±.020
ANGULAR ±.5°	
DRAFT WHERE APPLICABLE MUST REMAIN WITHIN DIMENSIONS	

DIMENSION STYLE IN/[MM]	
DRAWN BY	DATE
MZIELINS	2015/06/22
CHECKED BY	DATE
BARDEN	2015/06/26
APPROVED BY	DATE
BWOODMAN	2015/06/29
MATERIAL NO.	
SEE TABLE	
SIZE	
C	

SCALE	DESIGN UNITS	THIRD ANGLE PROJECTION	
NTS	INCH		
TITLE			
MINI CHANGE ASSEMBLY			
4 P MALE 90 360 SHIELD			
16 AWG VFD, BLACK PVC			
MOLEX INCORPORATED		SHEET NO.	
E-130009-150		1 OF 1	
THIS DRAWING CONTAINS INFORMATION THAT IS PROPRIETARY TO MOLEX INCORPORATED AND SHOULD NOT BE USED WITHOUT WRITTEN PERMISSION			

SAP P/N #	ENGINEERING P/N	FINISHED LENGTH
1300090835	104S07D27M0403	4M +165.1mm-0 (157.48" +6.5"-0)
1300090836	104S07D27M0503	5M +165.1mm-0 (196.85" +6.5"-0)



- 1 BLACK #1
- 2 BLACK #2
- 3 BLACK #3
- 4 GREEN / YELLOW

SPECIFICATIONS

MATERIALS:

- COUPLING NUT: BRASS, NICKEL PLATED
- CONTACTS: COPPER ALLOY, GOLD PLATED
- INSERT: PVC, BLACK
- OVERMOLD: PBT, GRAY
- CABLE: 16/4 VFD PVC JACKET, BLACK
- WRAP LABEL: VINYL, BLACK/YELLOW
- WARNING LABEL VINYL, BLACK/ORANGE

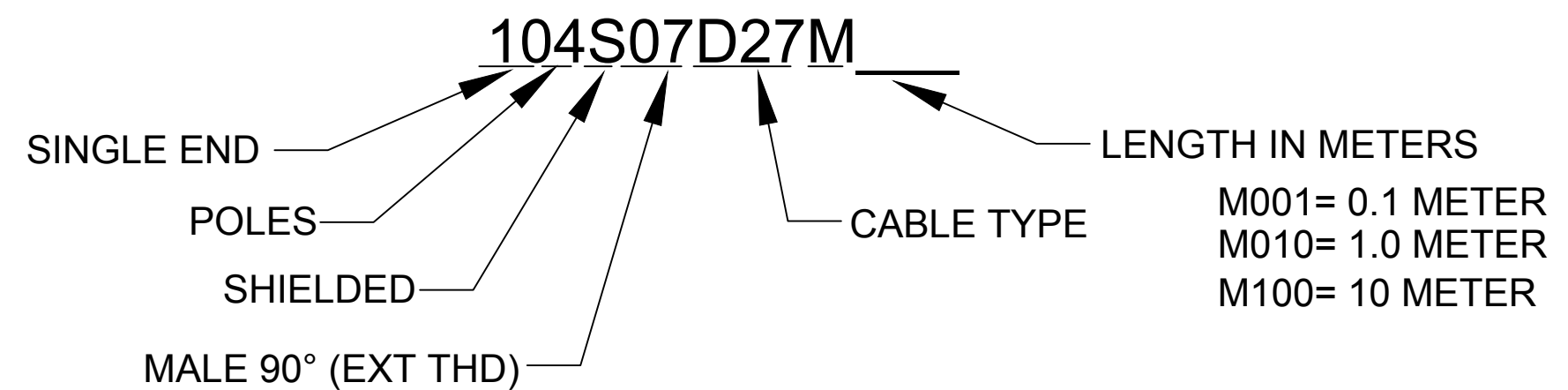
ELECTRICAL:

- CURRENT RATING: 10A
- VOLTAGE: 600V AC/DC

MECHANICAL:

- TEMPERATURE RATING: -40°C TO 90°C
- PROTECTION: IP67 (IN FULLY MATED POSITION)

ENGINEERING NUMBER LEGEND



INITIAL RELEASE EC NO.: IPG2015-2162 DRWN: BARDEN 2015/06/15 CH'KD: MZIELINS 2015/06/26 APPR: BWOODMAN 2015/06/29	QUALITY SYMBOL ▽=0 ▽C=0	GENERAL TOLERANCES (UNLESS SPECIFIED)		DIMENSION STYLE IN/[MM]		SCALE NTS	DESIGN UNITS INCH	THIRD ANGLE PROJECTION		
			mm	INCH	DRAWN BY BARDEN	DATE 2015/06/15	TITLE	MINI CHANGE ASSEMBLY 4 P MALE 90 360 SHIELD 16 AWG VFD, BLACK PVC		
		4 PLACES	±---	±---	CHECKED BY MZIELINS	DATE 2015/06/26				
		3 PLACES	±---	±.005	APPROVED BY BWOODMAN	DATE 2015/06/29	MOLEX INCORPORATED		SHEET NO. 1 OF 1	
2 PLACES	±0.13	±.010	DRAFT WHERE APPLICABLE MUST REMAIN WITHIN DIMENSIONS		MATERIAL NO. SEE TABLE		DOCUMENT NO. SD-130009-150			
1 PLACE	±0.25	±.020	ANGULAR ±.5°		SIZE C		THIS DRAWING CONTAINS INFORMATION THAT IS PROPRIETARY TO MOLEX INCORPORATED AND SHOULD NOT BE USED WITHOUT WRITTEN PERMISSION			