



# Micropower Adjustable Overvoltage Protection Controllers

MAX1807/MAX1808

## General Description

The MAX1807/MAX1808 monitor up to five supply rails for an overvoltage condition and provide a latched output when any one of the five supplies exceeds the trip thresholds. The latched output drives an external P-channel load switch to remove power when an overvoltage condition is detected. The latch is reset when a logic low is input to ON or the power supply is cycled.

The MAX1807 provides a 28V open-drain fault output that can be used to trigger an alert, trip a resettable fuse, or for other purposes. The MAX1808 includes a low-battery comparator with hysteresis to drive the DP output high, turning off the external P-channel switch when the input voltage is too low.

The MAX1807/MAX1808 are available in a miniature 10-pin  $\mu$ MAX package.

## Features

- ◆ Five 3% Accurate Overvoltage Comparators
- ◆ Series PFET Gate Driver with VGS Limiter
- ◆ 21 $\mu$ A Quiescent Supply Current
- ◆ 4 $\mu$ A Shutdown Current
- ◆ 4.4V to 28V Operating Voltage Range
- ◆ 3% Accurate Comparator with 10% Hysteresis for Low-Battery Detection (MAX1808)
- ◆ 28V Open-Drain N-Channel Output (MAX1807)
- ◆ Small 10-Pin  $\mu$ MAX Package

## Applications

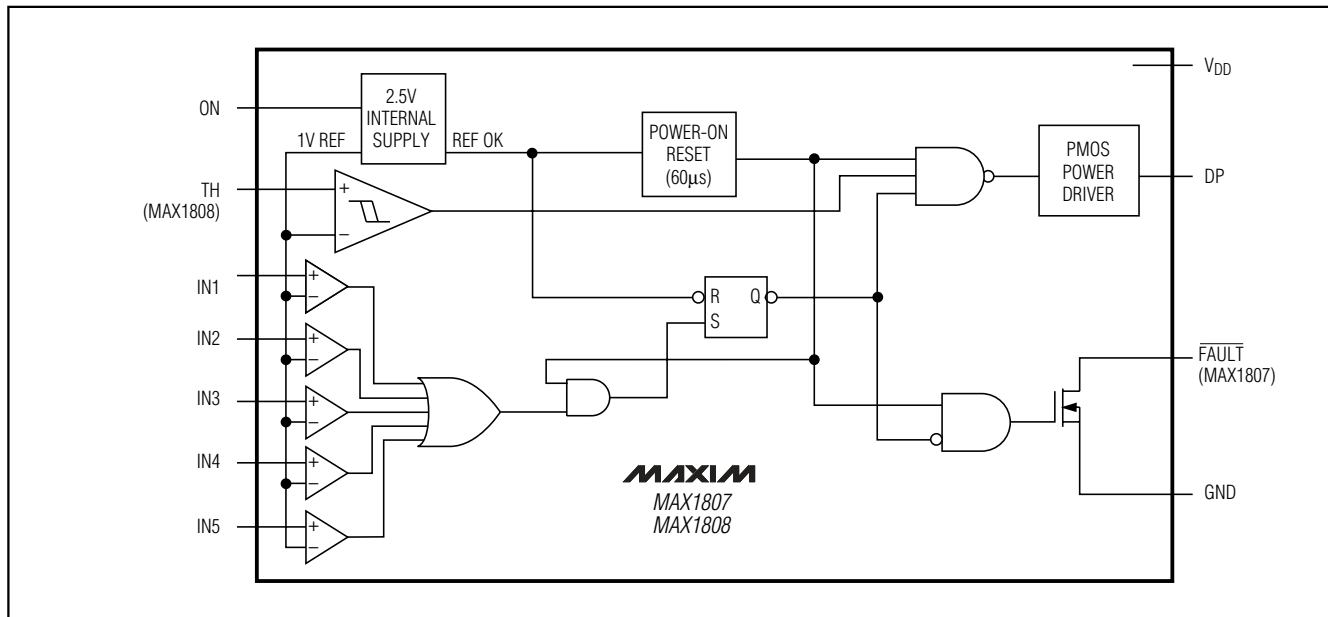
- Notebook Computers
- Power-Supply Modules
- Multi-Output Power Supplies

## Ordering Information

PART	TEMP. RANGE	PIN-PACKAGE
MAX1807EUB	-40°C to +85°C	10 $\mu$ MAX
MAX1808EUB	-40°C to +85°C	10 $\mu$ MAX

Pin Configuration and Typical Operating Circuit appear at end of data sheet.

## Functional Diagram



# Micropower Adjustable Overvoltage Protection Controllers

## ABSOLUTE MAXIMUM RATINGS

IN1-, TH to GND.....-0.3V to +6V  
 ON, V<sub>DD</sub>,  $\overline{\text{FAULT}}$  to GND.....-0.3V to +30V  
 DP to GND.....-0.3V to (V<sub>DD</sub> + 0.3V)  
 Continuous Power Dissipation  
 10-Pin  $\mu\text{MAX}$  (derate 5.6mW/°C above +70°C).....448mW

Operating Temperature Range .....-40°C to +85°C  
 Junction Temperature .....+150°C  
 Storage Temperature Range .....-65°C to +150°C  
 Lead Temperature (soldering, 10s) .....+300°C

Stresses beyond those listed under "Absolute Maximum Ratings" may cause permanent damage to the device. These are stress ratings only, and functional operation of the device at these or any other conditions beyond those indicated in the operational sections of the specifications is not implied. Exposure to absolute maximum rating conditions for extended periods may affect device reliability.

## ELECTRICAL CHARACTERISTICS

(V<sub>DD</sub> = V<sub>ON</sub> = 15V, V<sub>IN1</sub>-V<sub>IN5</sub> = 0.5V, V<sub>TH</sub> = 2.0V, C<sub>DP</sub> = 5nF,  $\overline{\text{FAULT}}$  = open, T<sub>A</sub> = 0°C to +85°C, unless otherwise noted.)

PARAMETER	SYMBOL	CONDITIONS	MIN	TYP	MAX	UNITS
<b>GENERAL</b>						
V <sub>DD</sub> Input Voltage Range		DP and $\overline{\text{FAULT}}$ in correct state (Table 1)	2		28	V
V <sub>DD</sub> Operating Voltage Range			4.4		28	V
V <sub>DD</sub> Undervoltage Lockout Threshold		Rising trip level, typical 2% hysteresis; when V <sub>DD</sub> is below this level, DP = Hi and $\overline{\text{FAULT}}$ = Hi-Z	2	2.7	4.0	V
Supply Current		V <sub>TH</sub> = 2V or 0.5V		21	45	$\mu\text{A}$
Shutdown Current		V <sub>DD</sub> = 15V, V <sub>ON</sub> = GND, V <sub>IN1</sub> -V <sub>IN5</sub> = V <sub>TH</sub> = GND		4	8.5	$\mu\text{A}$
<b>COMPARATORS (IN1-IN5, TH)</b>						
IN1-IN5 Input Trip Level		Rising edge, typical 1% hysteresis, V <sub>DD</sub> = 4.4V to 28V	0.97	1	1.03	V
TH Input Trip Level, Falling		V <sub>DD</sub> = 4.4V to 28V (MAX1808 only)	0.97	1	1.03	V
TH Input Trip Level, Rising		V <sub>DD</sub> = 4.4V to 28V (MAX1808 only)	1.045	1.1	1.155	V
IN1-IN5 Propagation Delay		IN1-IN5 rising, 10mV overdrive, V <sub>DD</sub> = 4.4V		40		$\mu\text{s}$
TH Propagation Delay		TH rising, 10mV overdrive, V <sub>DD</sub> = 4.4V (MAX1808 only)		11		$\mu\text{s}$
		TH falling, 10mV overdrive, V <sub>DD</sub> = 4.4V (MAX1808 only)		40		
IN1-IN5 Input Leakage Current		V <sub>IN</sub> = 1.5V		0.5	50	nA
TH Input Leakage Current		V <sub>TH</sub> = 1.5V (MAX1808 only)		0.5	50	nA
ON Input High Logic Level		V <sub>DD</sub> = 4.4V to 28V	1.6			V
ON Input Low Logic Level		V <sub>DD</sub> = 4.4V to 28V			0.5	V
ON Input Leakage Current		V <sub>ON</sub> = 5V		0.03	1.2	$\mu\text{A}$
		V <sub>ON</sub> = 28V			10	
$\overline{\text{FAULT}}$ Output High Leakage Current		V $\overline{\text{FAULT}}$ = 28V (MAX1807 only)		0.01	2	$\mu\text{A}$
$\overline{\text{FAULT}}$ Output Low Voltage		I <sub>SINK</sub> = 4mA (MAX1807 only)			0.4	V

# Micropower Adjustable Overvoltage Protection Controllers

MAX1807/MAX1808

## ELECTRICAL CHARACTERISTICS (continued)

( $V_{DD} = V_{ON} = 15V$ ,  $V_{IN1}-V_{IN5} = 0.5V$ ,  $V_{TH} = 2.0V$ ,  $C_{DP} = 5nF$ ,  $\overline{FAULT} = \text{open}$ ,  $T_A = 0^{\circ}\text{C to } +85^{\circ}\text{C}$ , unless otherwise noted.)

PARAMETER	SYMBOL	CONDITIONS	MIN	TYP	MAX	UNITS	
DP Source Current (PMOS Turn-Off)		$V_{ON} = V_{DD}$ , $V_{IN1} = 1.5V$	$V_{DP} = V_{DD} - 0.4V$	1	50	$\mu A$	
			$V_{DP} = V_{DD} - 2V$	5	20	mA	
DP Sink Current (PMOS Turn-On)		$V_{DP} = V_{DD} - 5V$	4	50		mA	
DP Pullup Current (PMOS Off)		$V_{DP} = V_{DD} - 2V$ , $V_{ON} = GND$ , in shutdown state		25		$\mu A$	
DP Turn-On Clamp Voltage ( $V_{DD} - V_{DP}$ )		$V_{ON} = V_{DD}$ , $I_{DPSINK} = 10\mu A$	$V_{DD} = 8.5V \text{ to } 28V$	7.5	9.5	11.5	V
			$V_{DD} = 4.4V$	3.4	4.1	4.4	

## ELECTRICAL CHARACTERISTICS

( $V_{DD} = V_{ON} = 15V$ ,  $V_{IN1}-V_{IN5} = 0.5V$ ,  $V_{TH} = 2.0V$ ,  $C_{DP} = 5nF$ ,  $\overline{FAULT} = \text{open}$ ,  $T_A = -40^{\circ}\text{C to } +85^{\circ}\text{C}$ , unless otherwise noted.) (Note 1)

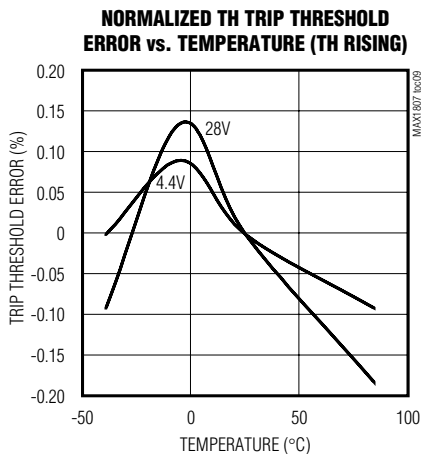
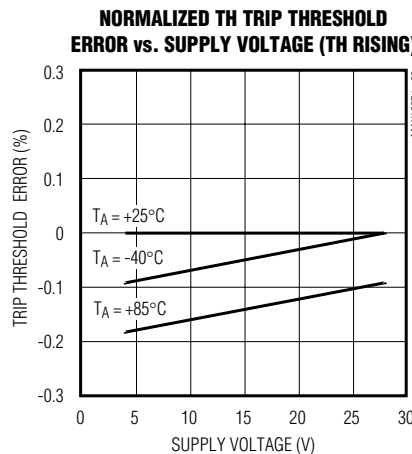
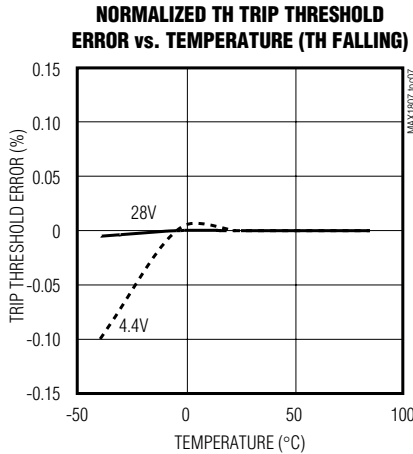
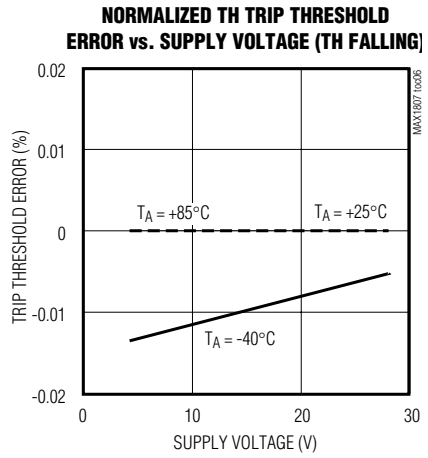
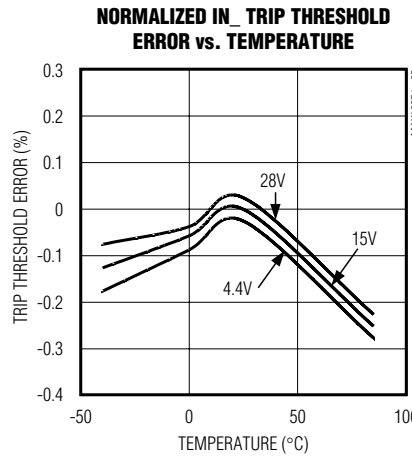
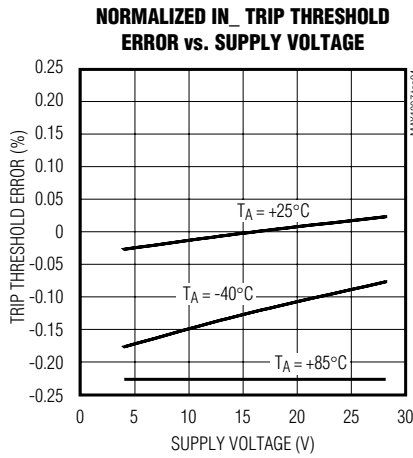
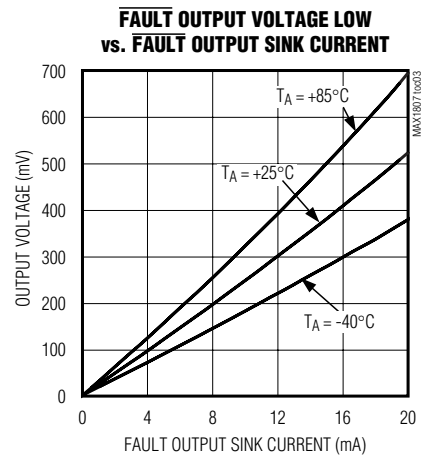
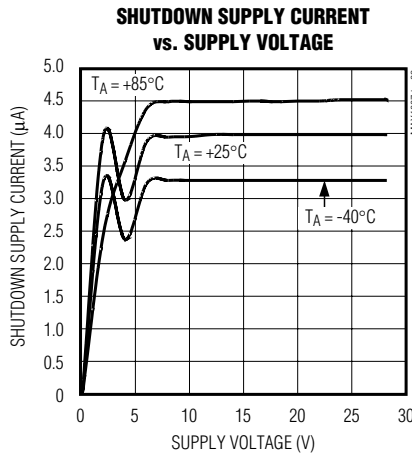
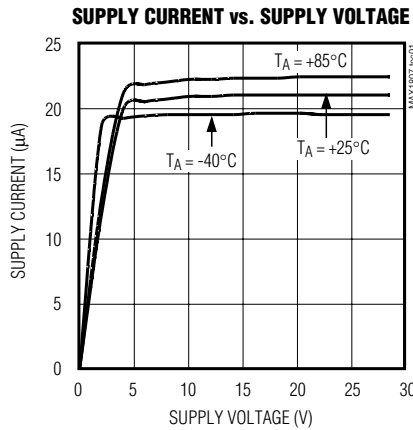
PARAMETER	SYMBOL	CONDITIONS	MIN	TYP	MAX	UNITS	
<b>GENERAL</b>							
$V_{DD}$ Input Voltage Range		DP and $\overline{FAULT}$ in correct state (Table 1)	2		28	V	
$V_{DD}$ Operating Voltage Range			4.4		28	V	
$V_{DD}$ Undervoltage Lockout Threshold		Rising trip level, typical 2% hysteresis; when $V_{DD}$ is below this level, DP = Hi and $\overline{FAULT} = \text{Hi-Z}$	2		4.0	V	
Supply Current		$V_{TH} = 2V \text{ or } 0.5V$			45	$\mu A$	
Shutdown Current		$V_{DD} = 15V$ , $V_{ON} = GND$ , $V_{IN1}-V_{IN5} = V_{TH} = GND$			8.5	$\mu A$	
<b>COMPARATORS (IN1-IN5, TH)</b>							
IN1-IN5 Input Trip Level		Rising edge, typical 1% hysteresis	0.95		1.05	V	
TH Input Trip Level, Falling		$V_{DD} = 4.4V \text{ to } 28V$ (MAX1808 only)	0.95		1.05	V	
TH Input Trip Level, Rising		$V_{DD} = 4.4V \text{ to } 28V$ (MAX1808 only)	1.045		1.155	V	
IN1-IN5 Input Leakage Current		$V_{IN} = 1.5V$			50	nA	
TH Input Leakage Current		$V_{TH} = 1.5V$ (MAX1808 only)			50	nA	
ON Input High Logic Level		$V_{DD} = 4.4V \text{ to } 28V$	1.8			V	
ON Input Low Logic Level		$V_{DD} = 4.4V \text{ to } 28V$			0.4	V	
ON Input Leakage Current		$V_{ON} = 5V$			1.2	$\mu A$	
		$V_{ON} = 28V$			10		
$\overline{FAULT}$ Output High Leakage Current		$V_{\overline{FAULT}} = 28V$ (MAX1807 only)			2	$\mu A$	
$\overline{FAULT}$ Output Low Voltage		$I_{SINK} = 4mA$ (MAX1807 only)			0.4	V	
DP Source Current (PMOS Turn-Off)		$V_{ON} = V_{DD}$ , $V_{IN1} = 1.5V$	$V_{DP} = V_{DD} - 0.4V$	1		$\mu A$	
			$V_{DP} = V_{DD} - 2V$	4		mA	
DP Sink Current (PMOS Turn-On)		$V_{DP} = V_{DD} - 5V$	2			mA	
DP Turn-On Clamp Voltage ( $V_{DD} - V_{DP}$ )		$V_{ON} = V_{DD}$ , $I_{DPSINK} = 10\mu A$	$V_{DD} = 8.5V \text{ to } 28V$	7.5		11.5	V
			$V_{DD} = 4.4V$	3.4		4.4	

**Note 1:** Specifications to  $-40^{\circ}\text{C}$  are guaranteed by design, not production tested.

# Micropower Adjustable Overvoltage Protection Controllers

## Typical Operating Characteristics

(Typical Operating Circuit,  $V_{DD} = 15V$ ,  $T_A = +25^\circ C$ , unless otherwise noted.)



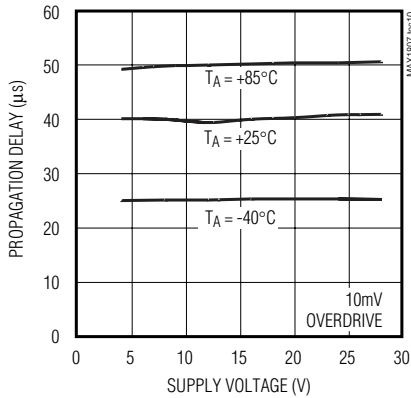
# Micropower Adjustable Overvoltage Protection Controllers

## Typical Operating Characteristics (continued)

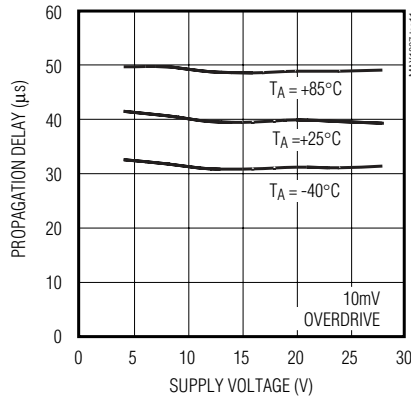
(Typical Operating Circuit,  $V_{DD} = 15V$ ,  $T_A = +25^\circ C$ , unless otherwise noted.)

MAX1807/MAX1808

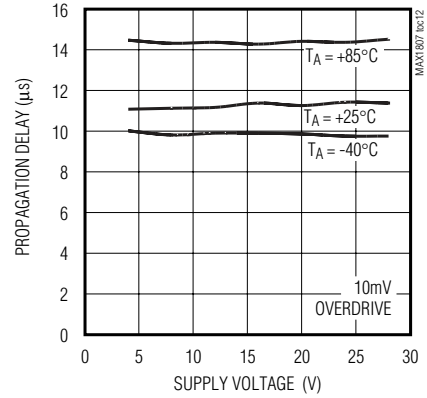
**IN\_ PROPAGATION DELAY vs. SUPPLY VOLTAGE**



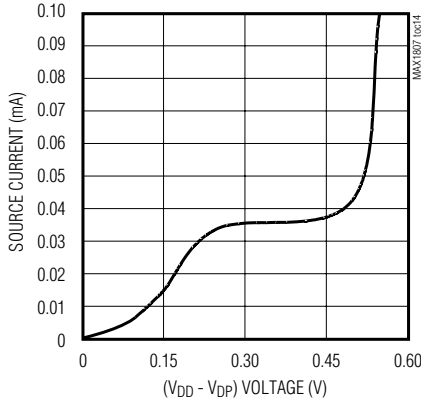
**TH PROPAGATION DELAY vs. SUPPLY VOLTAGE (TH FALLING)**



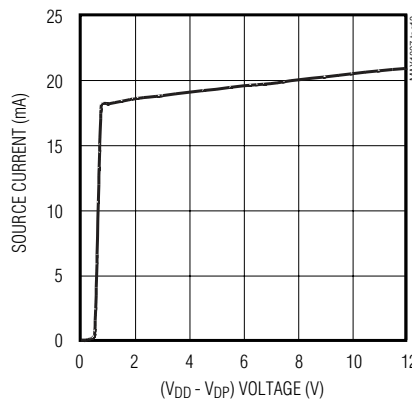
**TH PROPAGATION DELAY vs. SUPPLY VOLTAGE (TH RISING)**



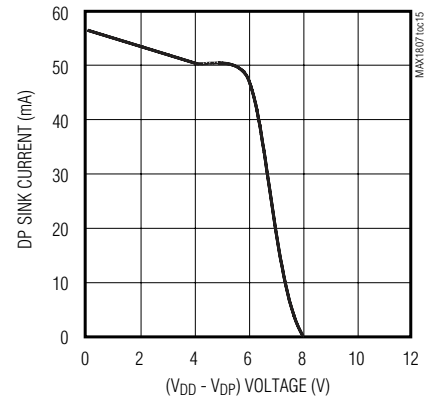
**DP SOURCE CURRENT vs. ( $V_{DD} - V_{DP}$ ) VOLTAGE**



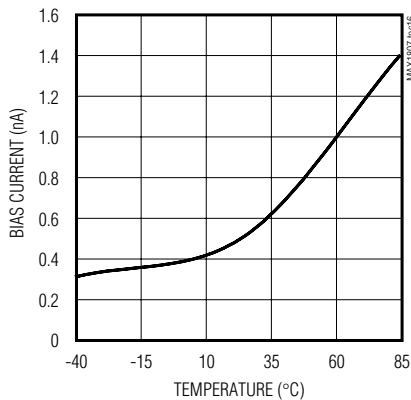
**DP SOURCE CURRENT vs. ( $V_{DD} - V_{DP}$ ) VOLTAGE**



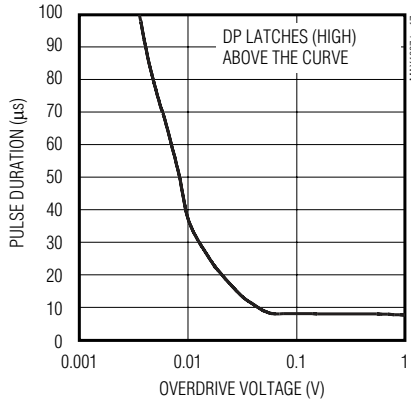
**DP SINK CURRENT vs. ( $V_{DD} - V_{DP}$ ) VOLTAGE**



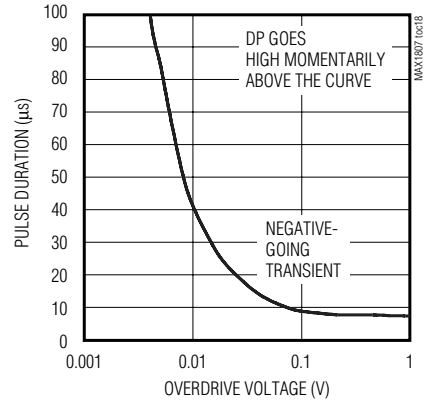
**IN\_ AND TH BIAS CURRENT vs. TEMPERATURE**



**IN\_ MAXIMUM TRANSIENT PULSE DURATION vs. PULSE OVERDRIVE VOLTAGE**



**TH MAXIMUM TRANSIENT PULSE DURATION vs. PULSE OVERDRIVE VOLTAGE**



# Micropower Adjustable Overvoltage Protection Controllers

## Pin Description

PIN	NAME	FUNCTION
1–5	IN1–IN5	Overvoltage Detect Comparator Input. When any input exceeds 1V, the fault latch is set. Connect unused inputs to GND.
6	GND	Ground
7	ON	Logic Input. ON turns on internal reference when high. Logic trip level is approximately 1.2V with 15% hysteresis. When ON is low, the fault latch is reset. ON can be connected directly to $V_{DD}$ at the expense of supply current.
8	DP	External P-Channel MOSFET Gate Driver Output. The output high level is $V_{DD}$ . The output low level is $V_{DD} - 9.5V$ or GND, whichever is higher. This output is latched high when an overvoltage condition is detected.
9	$V_{DD}$	Analog Supply Input. Use an external RC filter to eliminate excessive switching noise on $V_{DD}$ . When $V_{DD}$ is less than 2.7V, the fault latch is reset.
10	$\overline{\text{FAULT}}$	Signal Overvoltage Condition Output. This open-drain N-channel output is latched low when an overvoltage condition is detected. <b>(MAX1807 only)</b>
	TH	Input Monitor Comparator. When TH is below 1V, DP goes high to turn off the external P-channel switch. When TH exceeds 1.1V, DP goes low if there is no fault. Between 1V and 1.1V is the hysteresis band where the output state of the TH comparator remains unchanged. <b>(MAX1808 only)</b>

## Detailed Description

The MAX1807/MAX1808 provide overvoltage protection for systems with multiple supply rails. Very low output voltage supplies can have an overvoltage before the power-supply controller has sufficient supply voltage to activate protection circuitry. The MAX1807/MAX1808 offer a system-wide approach to effectively protect the loads and prevent catastrophic events.

The MAX1807/MAX1808 are powered directly by the main system input supply. A low output voltage from DP activates a P-channel switch to supply power to the rest of the system. As the rest of the system supplies come up, the MAX1807/MAX1808 monitor each of them for overvoltage conditions and safely disconnect the input from the rest of the system if any supply malfunctions occur due to a shorted MOSFET, shorted copper trace, or malfunctioning supply. Built-in overvoltage detectors in individual power supplies provide redundancy.

The MAX1807/MAX1808 drive the main P-channel load switch that powers the system. The driver includes active clamping to safely drive a 12V P-channel MOSFET gate. If overvoltage is detected, the P-channel load switch is turned off and the state is latched. The internal fault latch resets when  $V_{DD}$  is less than 2.7V (power cycled) or ON is pulled low (manual reset). When ON is logic low, the P-channel switch is turned off (Table 1).

The MAX1808 has a TH input that turns off the P-channel switch if TH goes below 1V without affecting the fault latch. TH output is designed for low-battery detection. The comparator has 10% hysteresis, allowing the battery voltage to rise when the load is removed without reenabling the external P-channel switch.

The MAX1807 has a fault alert output ( $\overline{\text{FAULT}}$ ) instead of the TH input.  $\overline{\text{FAULT}}$  is an open-drain output, rated for up to 28V, that directly reflects the state of the internal fault latch.

### IN1–IN5 Overvoltage Comparators

The overvoltage comparators have a 1V trip level. The fault latch is set if any one of the five overvoltage comparators goes above the trip level. A limited input bandwidth ensures that small glitches will not trigger an overvoltage event (see IN\_ Maximum Transient Pulse Duration vs. Pulse Overdrive Voltage in the *Typical Operating Characteristics*).

### DP PFET Driver Output

The MAX1807/MAX1808 have a totem driver (DP) with an active clamp that simplifies driving the external P-channel load switch. The -9.5V  $V_{GS}$  clamp eliminates complexity in circuits where  $V_{DD}$  exceeds the P-channel FET's maximum gate voltage. DP goes high and turns off the P-channel switch during undervoltage lockout, when ON is low, when TH is less than 1V, or if an overvoltage fault occurs.

# Micropower Adjustable Overvoltage Protection Controllers

The DP driver can sink and source significant current and achieves fast turn-on and turn-off times even with large P-channel switches. Adding a resistor in series with DP can increase turn-on and turn-off times. To slow the turn-on time without affecting the turn-off time, add a diode in parallel with the resistor (Figure 1). The turn-on time will be the product of the series resistor and the gate-to-source capacitance of the P-channel FET:

$$t_{ON} = C_{gs} \times R$$

The turn-off time will be the product of the gate-to-source capacitance of the P-channel FET and the DP source current of the MAX1807/MAX1808 (see DP Source Current vs. (V<sub>DD</sub> - V<sub>DP</sub>) Voltage in the *Typical Operating Characteristics*).

For very slow turn-off times, adding an external capacitor between the gate and the source of the P-channel FET eliminates the need for resistors with extremely high values.

## TH Input Comparator (MAX1808 Only)

TH input comparator can disconnect the load from the battery when the battery voltage is too low. The falling trip level is 1V, and the rising trip level is 1.1V. The 100mV hysteresis can prevent the load switch from turning on when the battery voltage rises as the load is

disconnected from the battery. The comparator has a limited bandwidth to ensure that small transients will not shut down the system supplies.

Increase TH hysteresis by adding a resistor from TH to one of the voltage rails disconnected by the P-channel load switch, such as the 1.8V supply (Figure 2). Use one of the lower voltage supplies to eliminate the necessity of extremely large resistors to obtain reasonable hysteresis. When the MAX1714 is on, the trip threshold is lower than when the MAX1714 is off, pro-

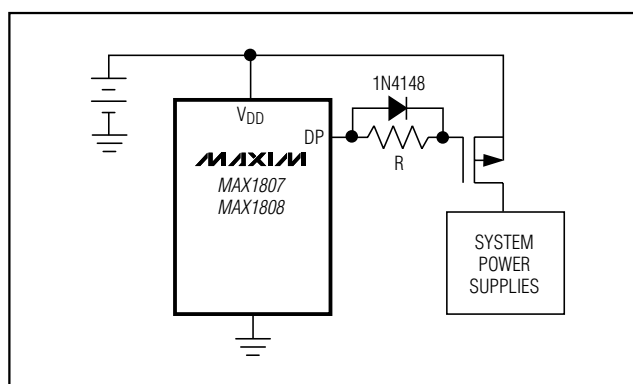


Figure 1. External FET Gate Control

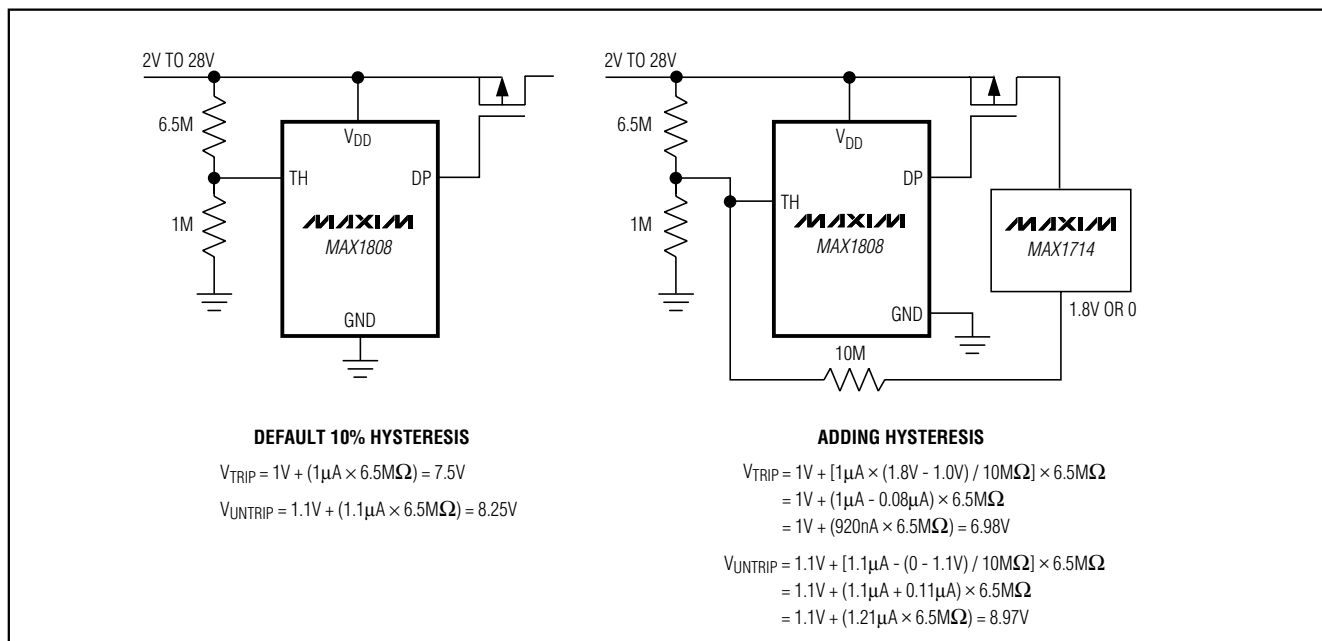


Figure 2. Adding Hysteresis

# Micropower Adjustable Overvoltage Protection Controllers

Table 1. MAX1807/MAX1808 State Table

V <sub>DD</sub>	ON	TH	IN1–IN5	DP	FAULT	COMMENT
<2V	X	X	X	Undefined	Undefined	
2 < V <sub>DD</sub> < 4.0V	X	X	X	HI	Hi-Z	
>4.0V	0	X	X	HI	Hi-Z	
>4.0V	1	<1V	X	HI		Note that TH has 0.1V hysteresis ( <b>MAX1808 only</b> )
>4.0V	1	>1.1V	All <1V	LO	Hi-Z	Only condition for PFET to be turned on
>4.0V	1	>1.1V	Any >1V	HI	LO	

viding additional hysteresis. Turning off the chosen supply will change the undervoltage trip levels.

### **FAULT Open-Drain N-Channel Flag Output (MAX1807 Only)**

The MAX1807 has an open-drain N-channel FAULT output. The FAULT output directly reflects the state of the internal fault latch, going low when an overvoltage event occurs. The FAULT output can be used to signal the system power-management microcontroller, trip a resettable fuse, drive an external high-side driver, or for other purposes.

### **Undervoltage Lockout and Power-On Reset (POR) Period**

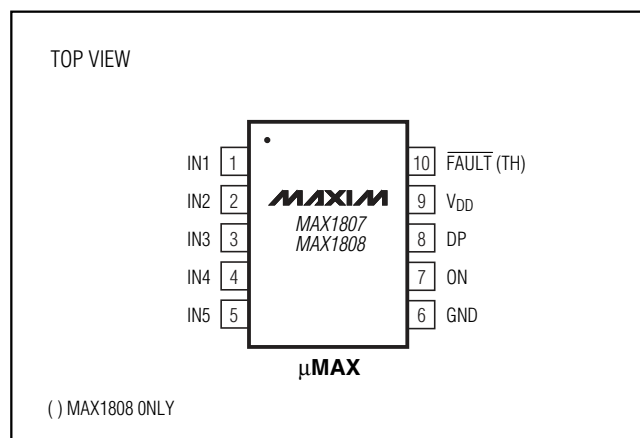
Undervoltage lockout holds DP high and FAULT in high impedance until V<sub>DD</sub> exceeds the V<sub>DD</sub> undervoltage lockout threshold. When V<sub>DD</sub> exceeds the undervoltage threshold, the DP and FAULT outputs remain unchanged during the power-on reset period (60μs), allowing the reference and comparators to settle. Normal operation resumes after the POR period.

### **Chip Information**

TRANSISTOR COUNT: 955

PROCESS: BiCMOS

### **Pin Configuration**

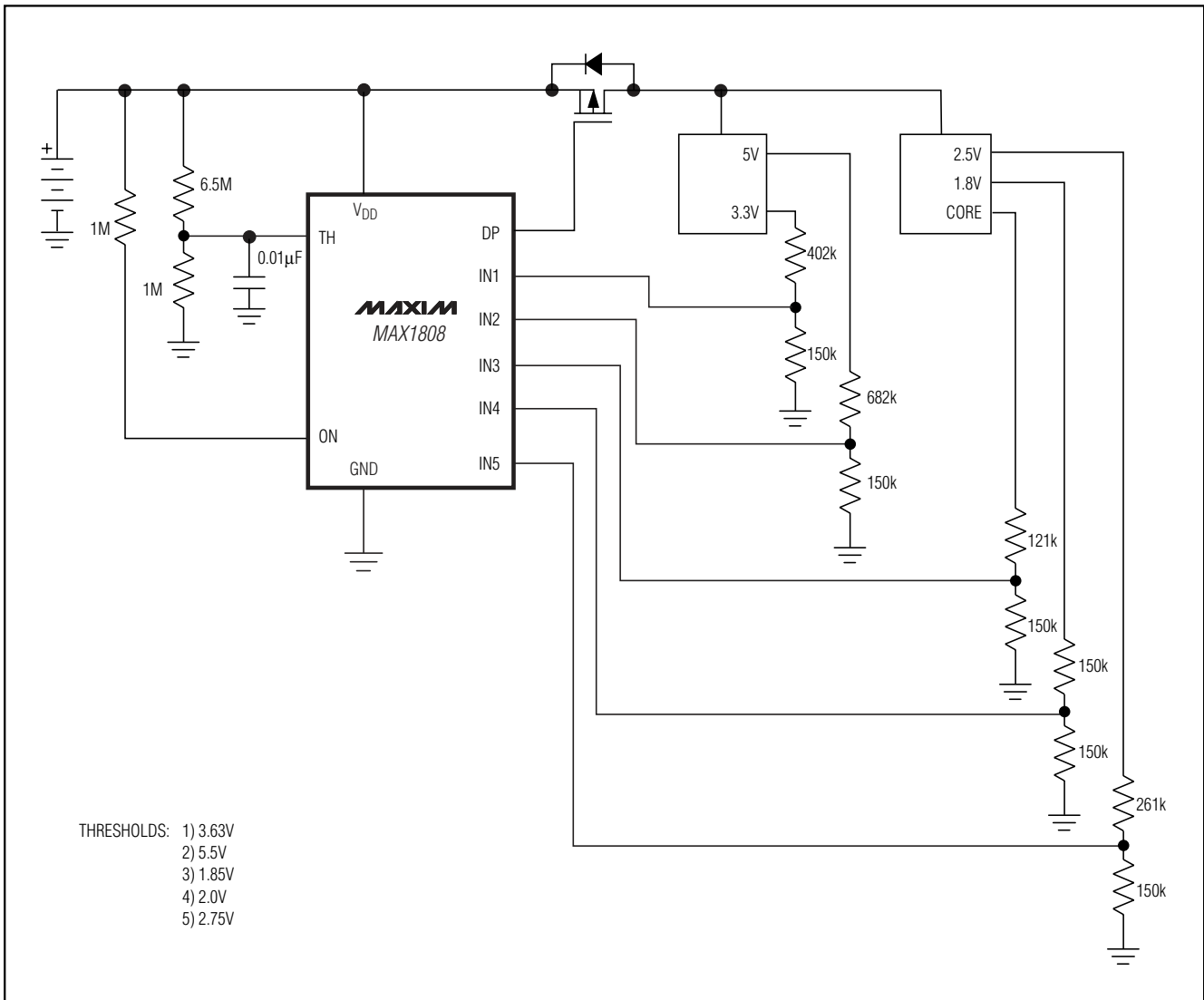




# Micropower Adjustable Overvoltage Protection Controllers

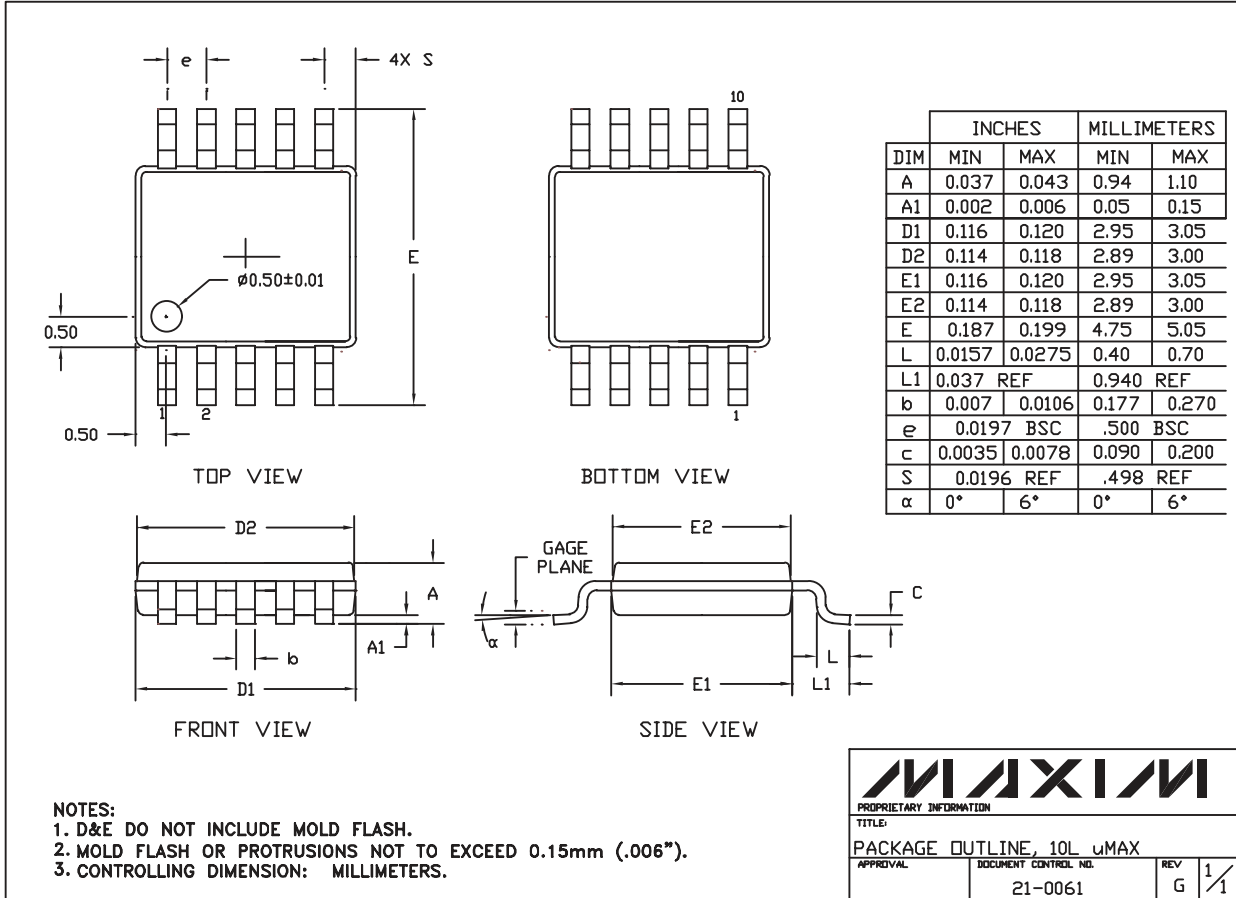
## Typical Operating Circuit

**MAX1807/MAX1808**



# Micropower Adjustable Overvoltage Protection Controllers

## Package Information



Maxim cannot assume responsibility for use of any circuitry other than circuitry entirely embodied in a Maxim product. No circuit patent licenses are implied. Maxim reserves the right to change the circuitry and specifications without notice at any time.

10 \_\_\_\_\_ **Maxim Integrated Products, 120 San Gabriel Drive, Sunnyvale, CA 94086 408-737-7600**