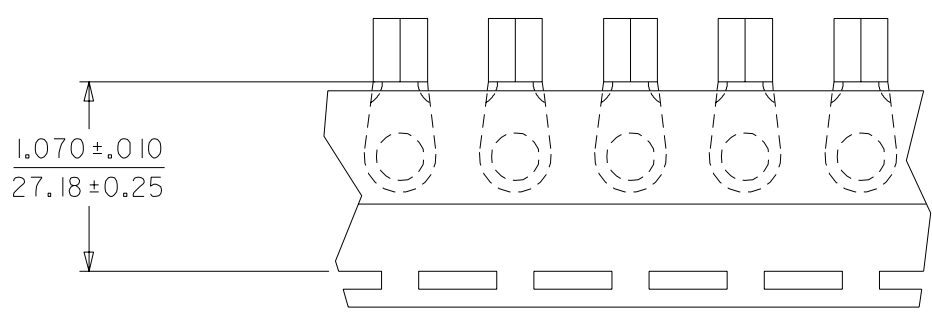
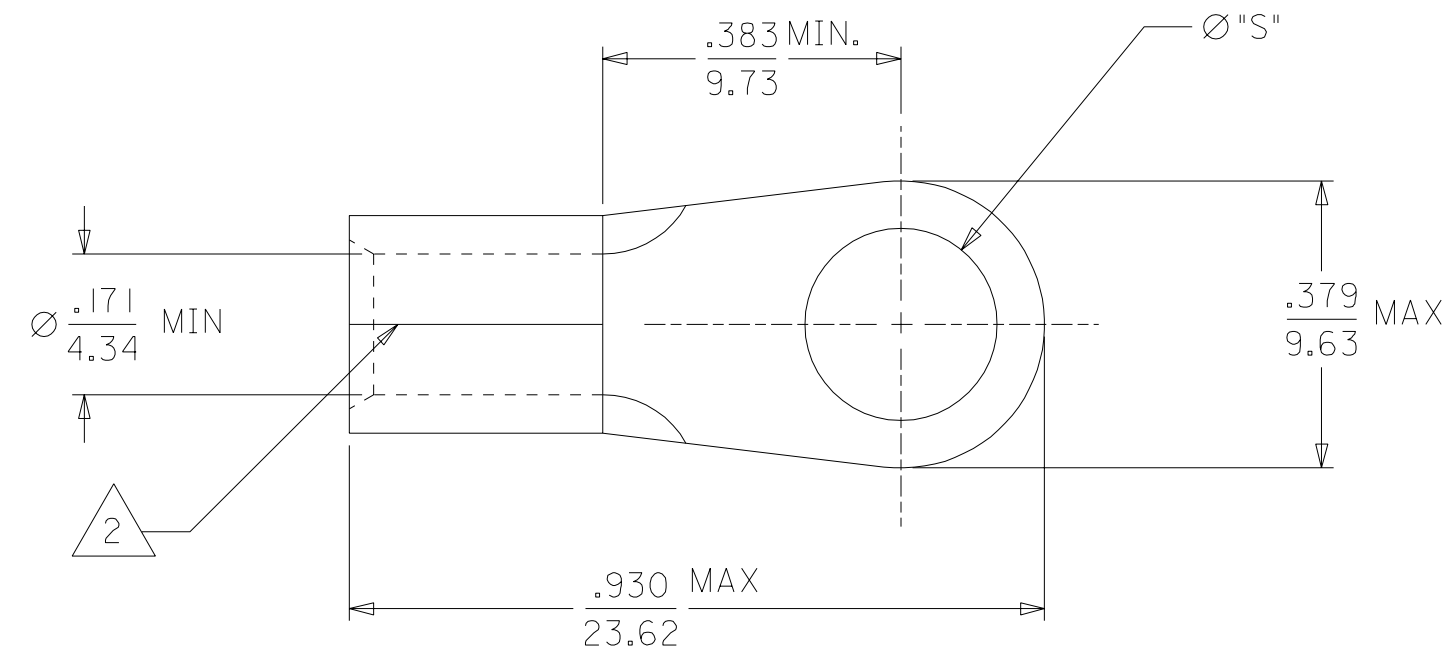


MATERIAL NUMBER	ENGINEERING NUMBER	STUD SIZE	"S" ±.003/(0.08)	PACKAGING
191930198	D-356-06	6	.146/(3.71)	LOOSE PIECE
191930200	D-356-08	8	.173/(4.39)	
191930202	D-356-10	10	.198/(5.03)	
191930204	D-356-14	14	.265/(6.73)	
191930199	D-356-06T	6	.146/(3.71)	TAPE
191930201	D-356-08T	8	.173/(4.39)	
191930203	D-356-10T	10	.198/(5.03)	
191930205	D-356-14T	14	.265/(6.73)	



TAPE MOUNTING LOCATION



SALES DRAWING

NOTES:
 1. MATERIAL: COPPER
 PLATING: ELECTRO-TIN.
 2. BRAZED SEAM.

WAS SD-19069-012 EC NO. ETC2003-0333 DRWN: BRE 03/06/23 CHK: HEB 03/06/23 APPR: RWD 03/06/23	QUALITY SYMBOLS MAJOR $\nabla=0$ CRITICAL $\triangle=0$	GENERAL TOLERANCES: (UNLESS SPECIFIED)	SCALE 4:1 DESIGN UNITS <input type="checkbox"/> mm <input checked="" type="checkbox"/> INCH	THIRD ANGLE PROJECTION	DIMENSIONS: <input type="checkbox"/> mm <input checked="" type="checkbox"/> INCH <input type="checkbox"/> mm ONLY	SHT REV
	DESCRIPTION REV	mm INCH 4 PLACES ±0. ±. 3 PLACES ±0. ±. 2 PLACES ±0. ±. 1 PLACE ±0. ±. ANGULAR: ±1/2°	DRAWN BY & DATE BRE 03/06/18 CHECKED BY & DATE HEB 03/06/18 APPROVED BY & DATE RWD 03/06/18	TITLE: RING TONGUE TERMINAL VERSAKRIMP 8 AWG		MATERIAL NO. SEE CHART
DRAFT WHERE APPLICABLE MUST REMAIN WITHIN DIMENSIONS			CAD FILENAME SD-19193-012 .S01		MOLEX INCORPORATED	SHEET NO. 1 OF 1
THIS DRAWING CONTAINS INFORMATION THAT IS PROPRIETARY TO MOLEX INCORPORATED AND SHOULD NOT BE USED WITHOUT WRITTEN PERMISSION.						SIZE B