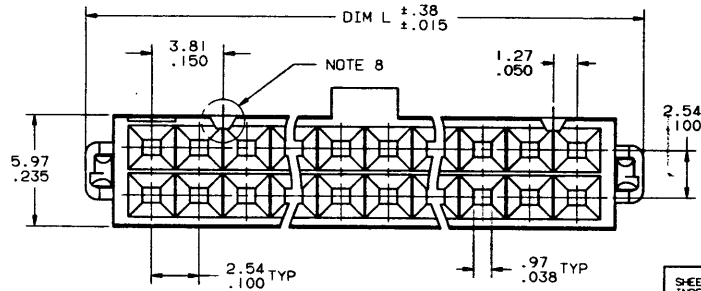
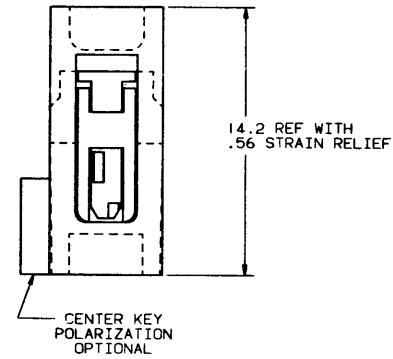
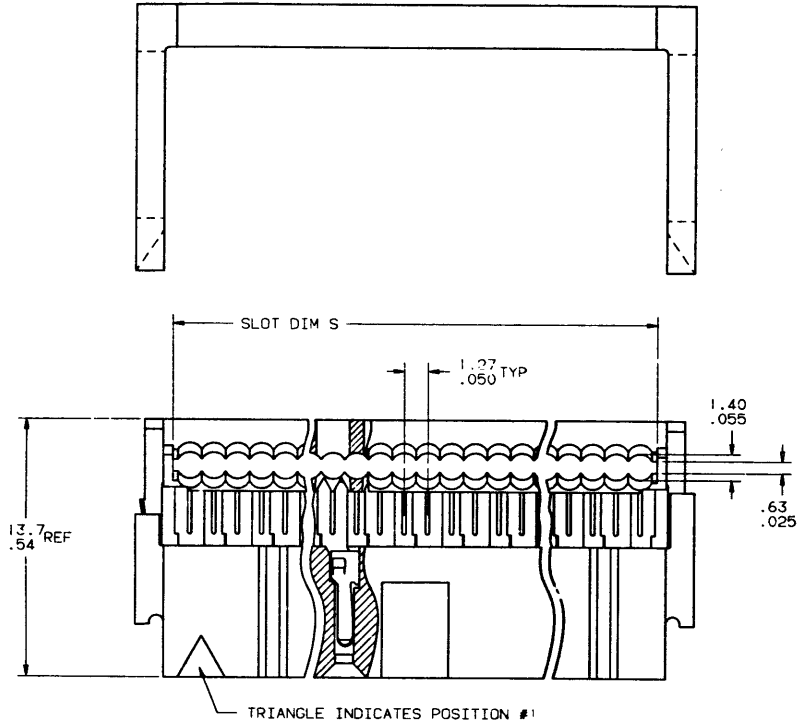


PRODUCT NO
SEE TABLE

REVISIONS			
REV	DESCRIPTION	BY	DATE
D	REDRAWN WITHOUT LOGO	RLS	8/6/87



SHEET INDEX		ISSUE		D		D		CUSTOMER COPY	
SH NO	1	2						CODE IDENT	DATE
								22526	8/6/87
MODEL		DO NOT SCALE DRAWING		TOLERANCE UNLESS OTHERWISE NOTED		MM/INCH		MATERIAL	
I				0.0±0.25/.00±.01		///		DR. R. SEIPLE	
				LINEAR 0.00±0.13/.000±.005		FINISH		CHK. M. HAHN	
TABULATION SHEETS REQUIRED		YES		0.000±0.051/.0000±.0020		ANGLES±2°0'		ENGR. M. HAHN	
NO								APPD. M. HAHN	
								DATE 8/6/87	
								TITLE	
								DUAL POLARIZED QUICKIE II	
								1.27mm/50mil Au - LOW PROFILE	
								SCALE SIZE DWG NO	
								8/1 D 68471	
								SHEET 1 OF 2	

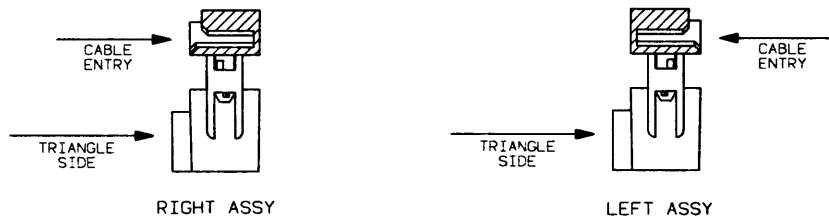
NOTE: This print is the property of and contains proprietary designs of DUPONT CONNECTOR SYSTEMS, Division of E. I. du Pont de Nemours & Co., Inc. No part of the design shown on this print may be used in any way without the written consent of DUPONT CONNECTOR SYSTEMS, Corp. WILM., Pa.

PRODUCT NO	SIZE	DIM L	DIM S
68471-X10	2X5	17.27/.680	13.21/.520
-X14	2X7	22.35/.880	18.29/.720
-X16	2X8	24.89/.980	20.83/.820
-X20	2X10	29.97/1.180	25.91/1.020
-X24	2X12	35.05/1.380	30.99/1.220
-X26	2X13	37.59/1.480	33.53/1.320
-X30	2X15	42.67/1.680	38.61/1.520
-X34	2X17	47.75/1.880	43.69/1.720
-X40	2X20	55.37/2.180	51.31/2.020
-X44	2X22	60.45/2.380	56.39/2.220
-X50	2X25	68.07/2.680	64.01/2.520
68471-X60	2X30	80.77/3.180	76.71/3.020

DASH NO	COVER		POLARIZATION	STRAIN RELIEF
	STYLE	ORIENTATION		
-0XX	THRU	DUAL ENTRY	DUAL POL.	YES
-1XX	THRU	DUAL ENTRY	CENTER KEY & DUAL POL.	YES
-2XX	BLIND	RIGHT	DUAL POL.	YES
-3XX	BLIND	RIGHT	CENTER KEY & DUAL POL.	YES
-4XX	BLIND	LEFT	DUAL POL.	YES
-5XX	BLIND	LEF	CENTER KEY & DUAL POL.	YES
-6XX	BLIND	RIGHT	CENTER KEY & DUAL POL.	NO
-7XX	BLIND	LEFT	CENTER KEY & DUAL POL.	NO
-8XX	DISCONTINUED			
-9XX	DISCONTINUED			

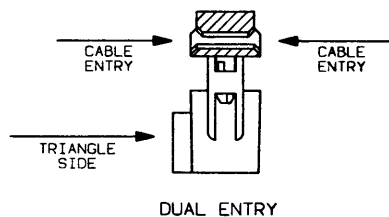
REVISIONS			
REV	DESCRIPTION	BY	DATE
D			

COVER ORIENTATION



RIGHT ASSY

LEFT ASSY



DUAL ENTRY

NOTES:

1. TERMINAL MATERIAL: FULL HARD PHOS. BRONZE ALLOY, UNS-C51000.
2. TERMINAL PLATING: 1.27 μ /50 μ " MIN NI UNDERPLATE OVER ENTIRE TERMINAL AND 1.27 μ /50 μ " MIN Au IN DISCONNECT AREA ONLY.
3. MOLDING MATERIAL: BASE & COVER- GLASS FILLED POLYESTER, FLAME RETARDANT PER UL94V-0, COLOR- BLUE.
4. CONNECTOR ASSEMBLIES PACKAGED IN TUBES.
5. THE FIRST TWO CAVITY POSITIONS AND THE LAST TWO, ARE IDENTIFIED BY NUMBER.
6. POLARIZING FEATURES ARE DESCRIBED IN TABLE.
7. MOLDING MATERIAL: STRAIN RELIEF- POLYSULFONE, FLAME RETARDANT PER UL94V-0, COLOR- NATURAL.
8. THE POLARIZING FEATURE ON THIS END IS NON-EXISTANT ON 2x5 AND 2x7 POSITION CONNECTORS.
9. 2x5 POSITION NOT AVAILABLE WITH POLARIZATION SLOT ON CENTER KEY STYLE.

SHEET INDEX		ISSUE		MODEL		DO NOT SCALE DRAWING		TOLERANCE UNLESS OTHERWISE NOTED		MATERIAL		DR. SEIPLE		DATE		CUSTOMER COPY	
SH NO		I		I				MM/INCH		///		R. SEIPLE		8/6/87		CODE IDENT	
								0.010, 25/.001, 01								22526	
								0.0010, 13/.0001, 005								8/6/87	
								0.00010, 051/.0001, 0020		FINISH						8/6/87	
TABULATION SHEETS REQUIRED		YES		NO		THIRD ANGLE PROJECTION		MM INCH		ANGLES: 12'0"		ENGR. M. HAHN		8/6/87		TITLE	
												APPD. M. HAHN		8/6/87		DUAL POLARIZED QUICKIE II	
																1.27 μ /50 μ "Au- LOW PROFILE	
																SCALE SIZE DWG NO CAD	
																8/1 D 68471 SHEET 2	

NOTE: This notice is the property of and embodies proprietary designs of DUPONT CONNECTOR SYSTEMS, Division of E.I. du Pont de Nemours & Co., Inc. No part of the design shown on this notice may be used in any way without the written consent of DUPONT CONNECTOR SYSTEMS, Corp. HILL, PA.