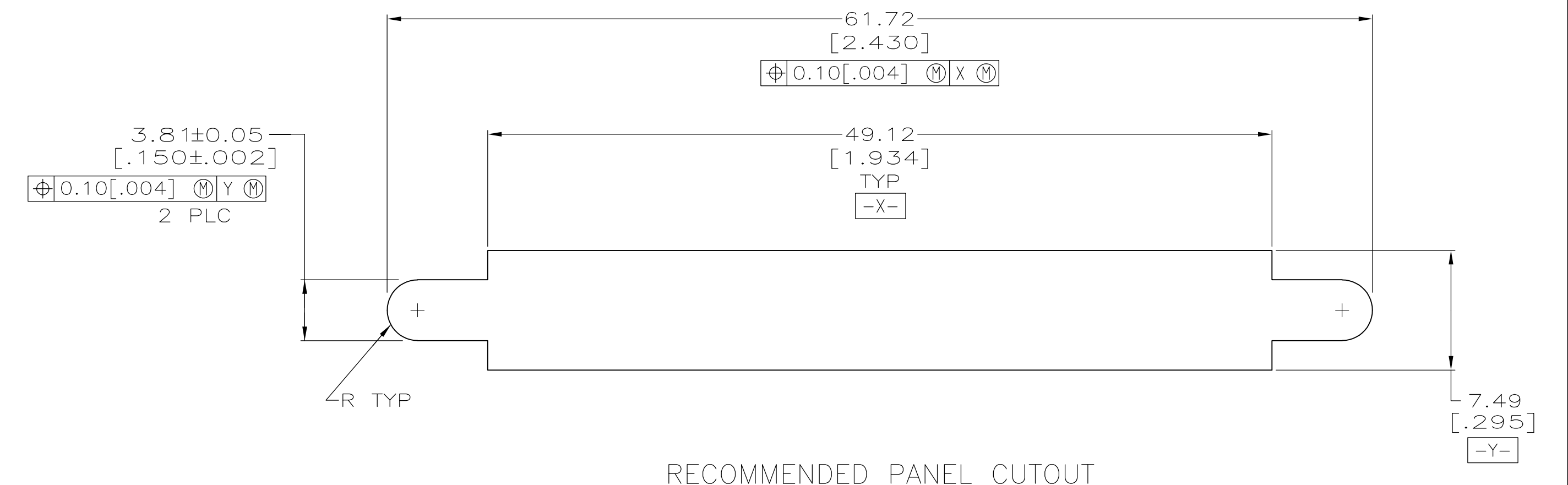
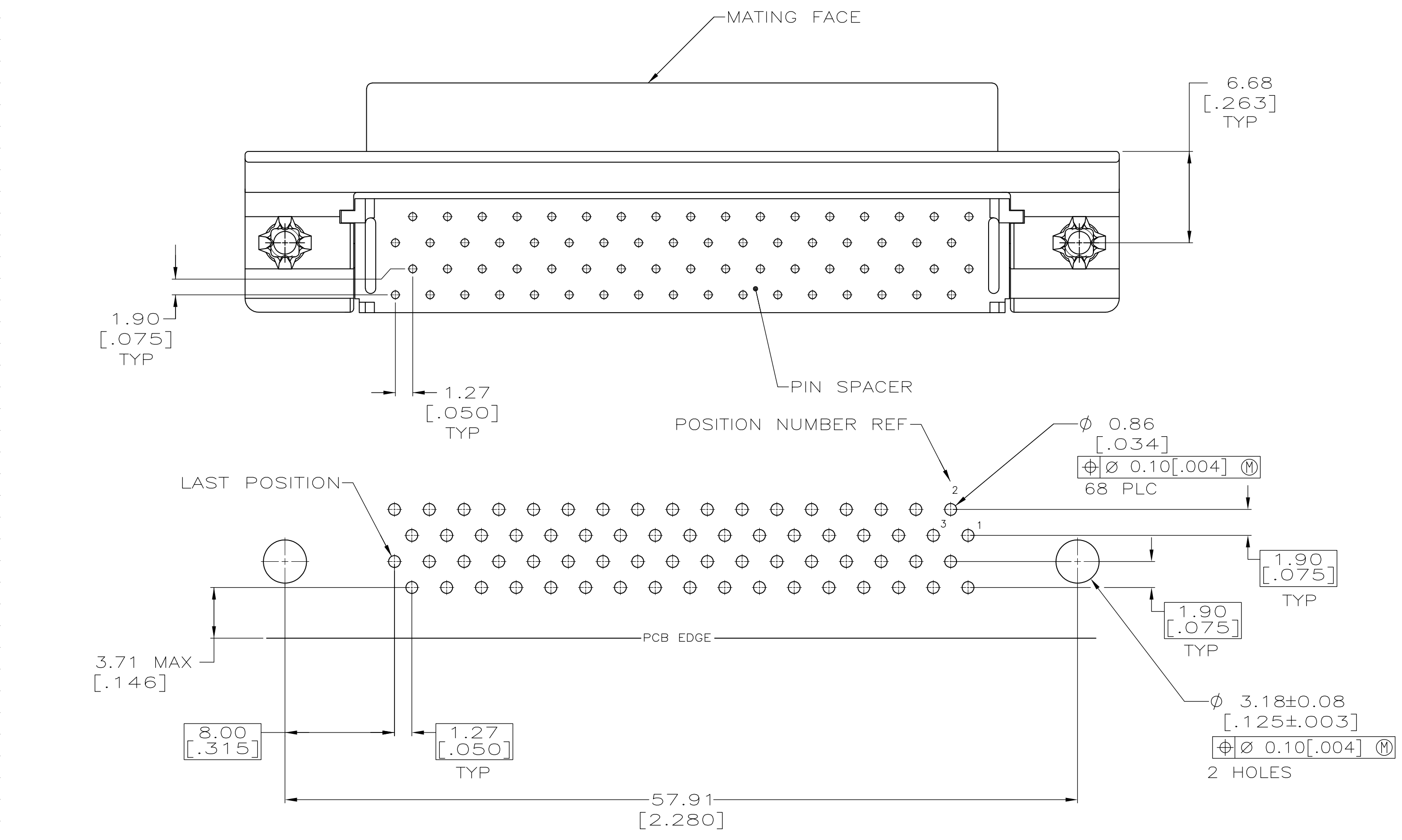
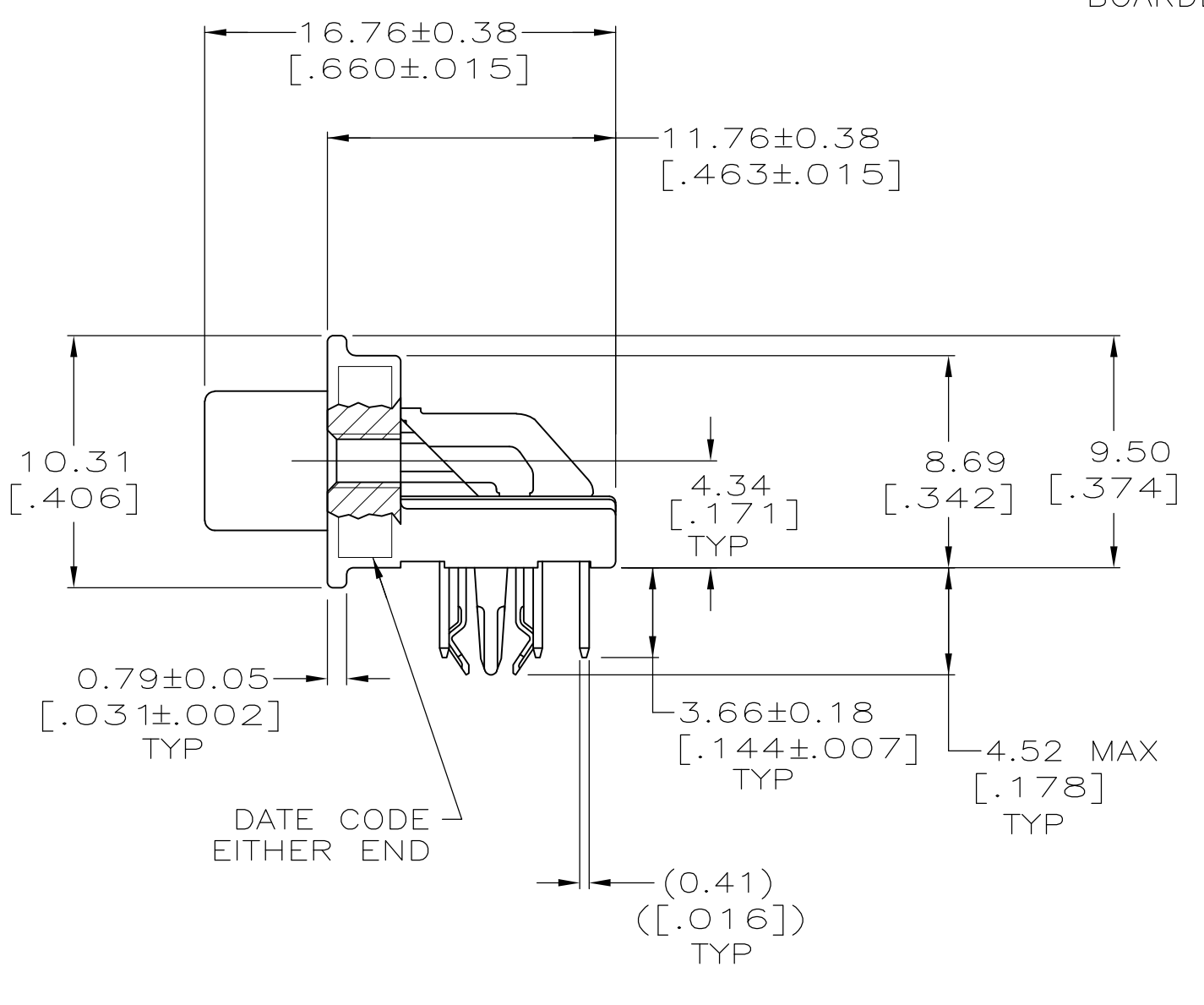
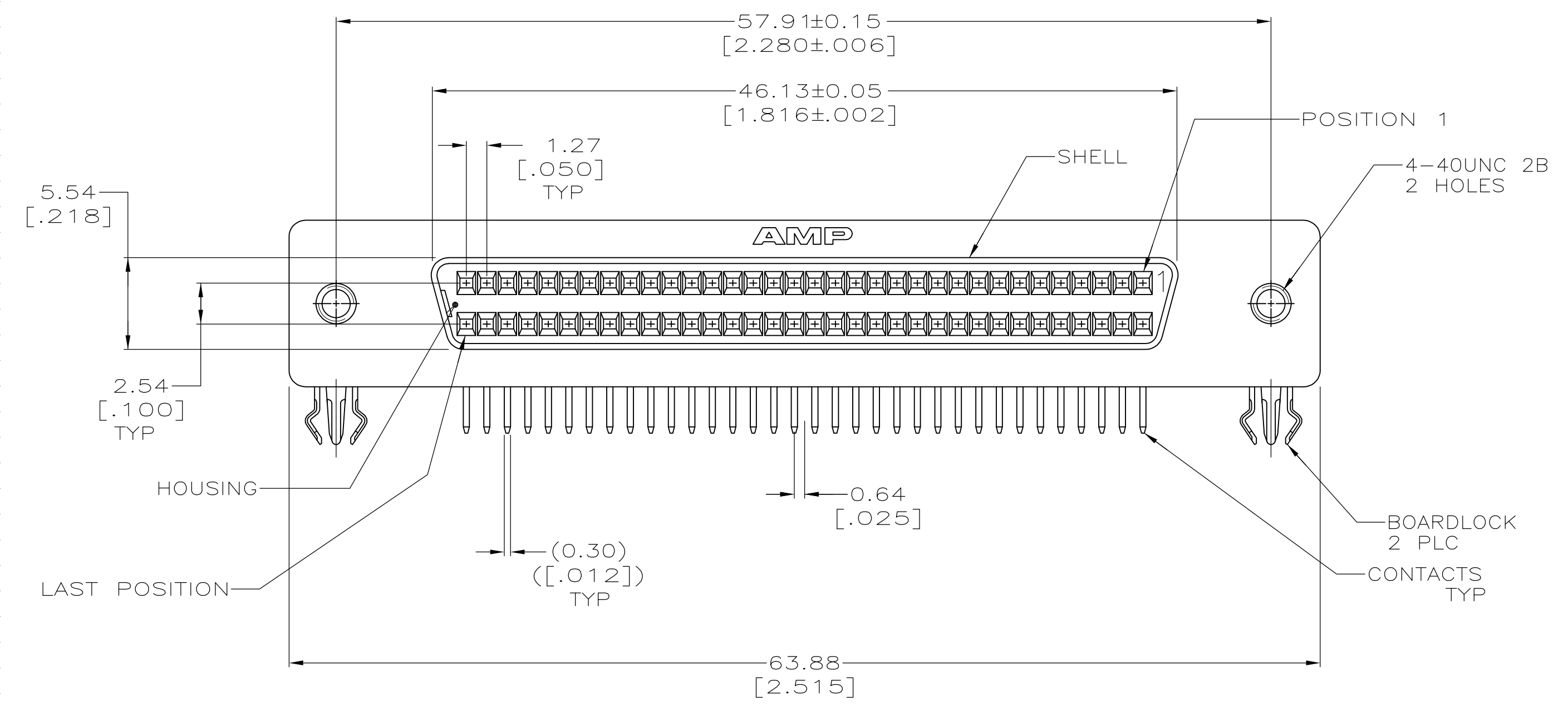


CONTACTS: PHOSPHOR BRONZE
 HOUSING & PIN SPACER: UL 94V-0 RATED, THERMOPLASTIC, BLACK
 BRACKET: ZINC
 SHELL: CARBON STEEL
 BOARDLOCKS: COPPER ALLOY

CONTACTS: EITHER 0.76μm [.000030] MIN GOLD PLATE FOR A LENGTH OF 0.64 [.025] MAX, 0.13 [.005] MIN FROM MATING END OR GOLD FLASH OVER PALLADIUM NICKEL PLATE, 0.76μm [.000030] MIN TOTAL FOR A LENGTH OF 0.64 [.025] MAX, 0.13 [.005] MIN FROM MATING END. 3.81μm [.000150] MIN TIN ON OPPOSITE END FOR A LENGTH OF 3.84 [.151] MIN, BOTH OVER 1.27μm [.000050] MIN NICKEL.
 SHELL: 5.08μm [.000200] MIN NICKEL OVER 1.27μm [.000050] MIN COPPER.
 BRACKET: 2.54μm [.000100] MIN NICKEL OVER 5.08μm [.000200] COPPER.
 BOARDLOCKS: 3.81μm [.000150] MIN TIN OVER 1.27μm [.000050] MIN NICKEL.



RECOMMENDED PANEL CUTOUT

P.C. BOARD MOUNTING DIMENSIONS
 CONNECTOR SIDE
 P.C. BOARD THICKNESS 2.36±0.23 [.093±.009]

**COPYRIGHT 2005
 TYCO ELECTRONICS CORP
 ALL RIGHTS RESERVED**

68	5787928-7
NO OF POSN	PART NUMBER

THIS DRAWING IS A CONTROLLED DOCUMENT.		OWN L. VARELA - DOCKS	02-14-05	Tyco Electronics Corporation Harrisburg, Pa 17105-3608
DIMENSIONS: mm(INCHES)		CHK S. SHUEY	02-14-05	
TOLERANCES UNLESS OTHERWISE SPECIFIED:		APVD M. WALMSLEY	02-14-05	NAME RECEPTACLE ASSEMBLY, SHIELDED, RIGHT ANGLE, .050 SERIES, AMPLIMITE
0 PLC ± -	1 PLC ± -	PRODUCT SPEC 108-1228	APPLIC. SPEC 114-40029	
2 PLC ± 0.13 [.005]	3 PLC ± -	MATERIAL 1	FINISH 2	SIZE A1
4 PLC ± -	ANGLES ± -	WEIGHT -		CAGE CODE 00779
CUSTOMER DRAWING				DRAWING NO 5787928
SCALE 4:1				SHEET 1 OF 1
				REV B