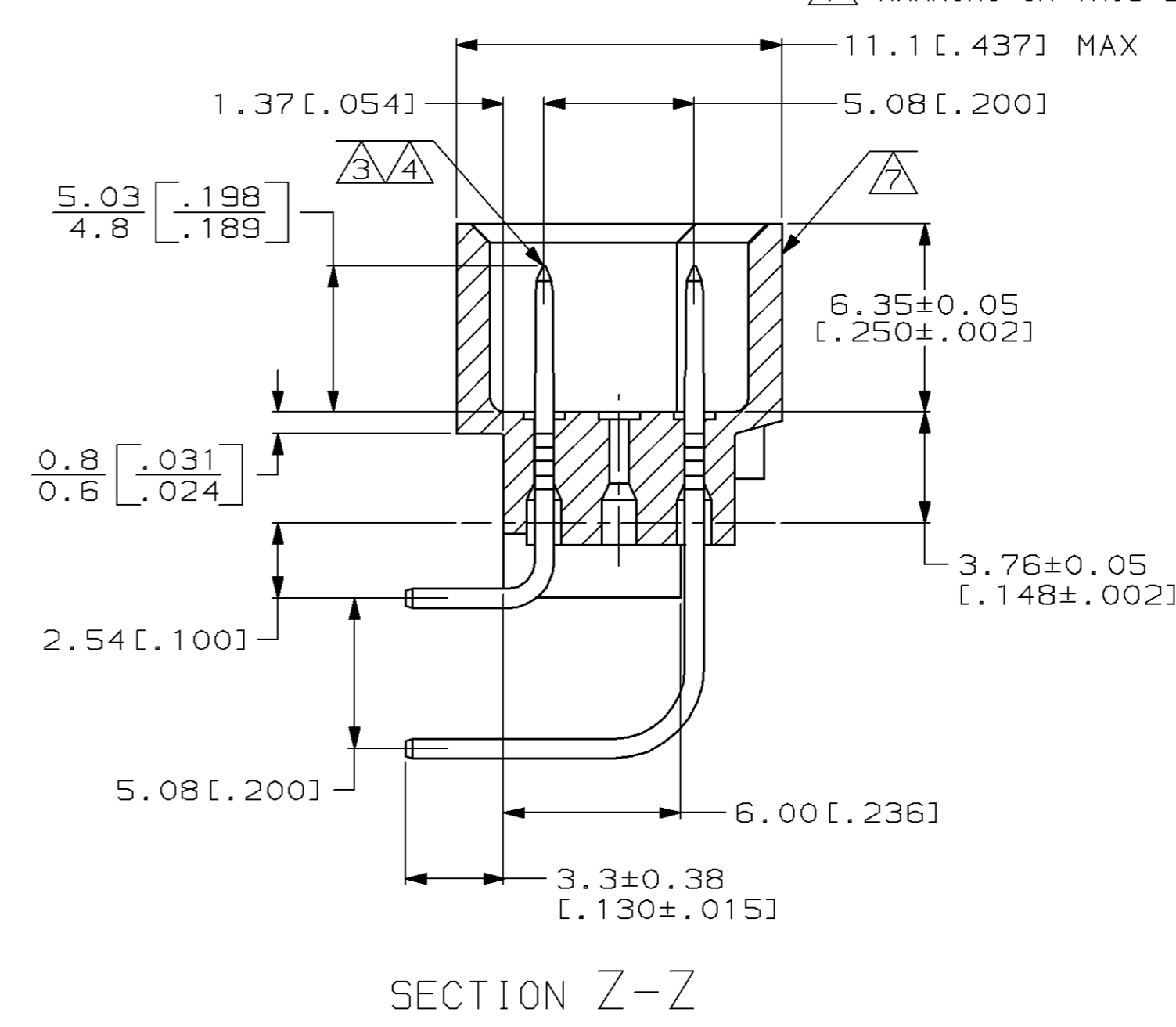
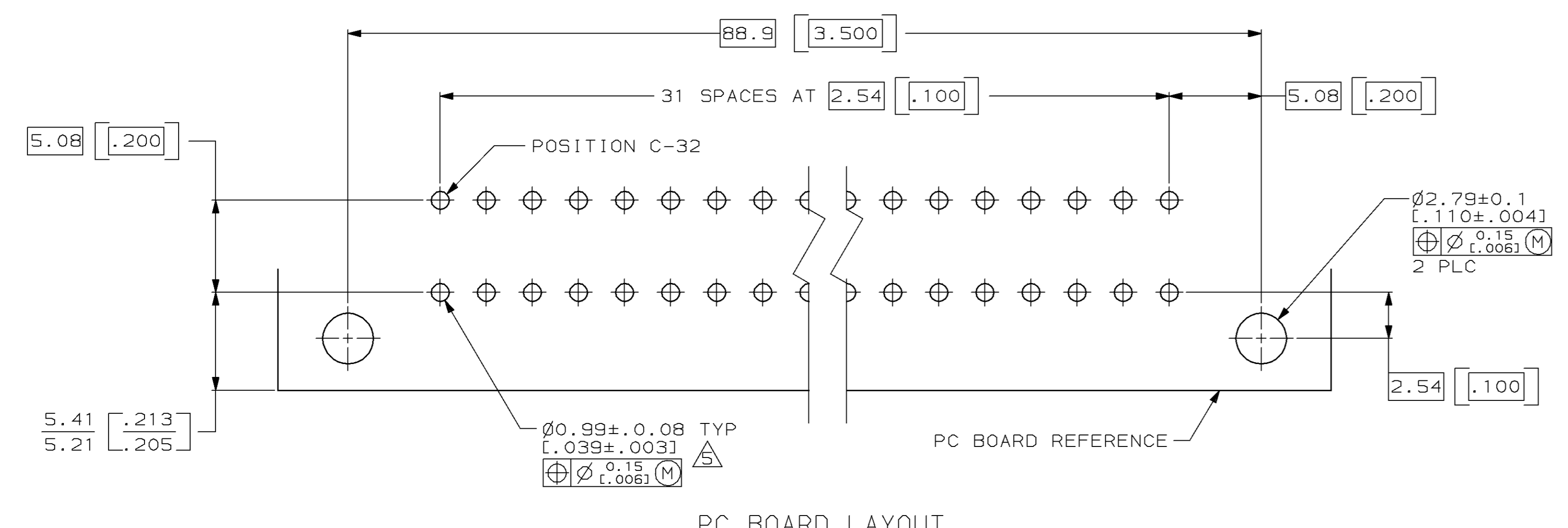
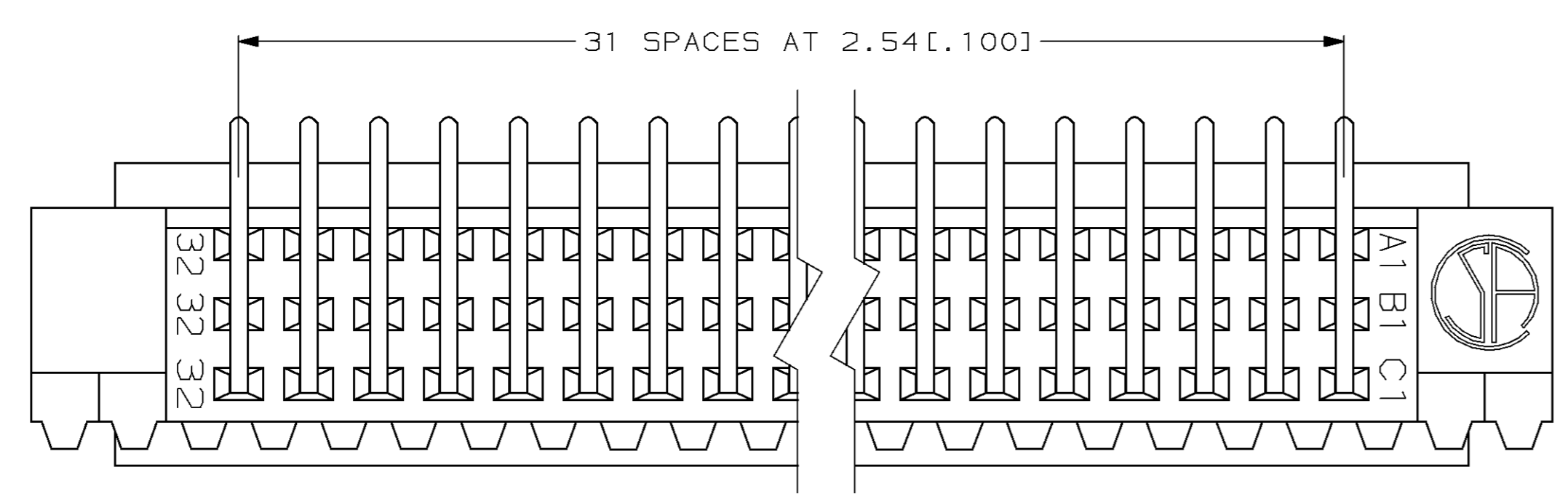
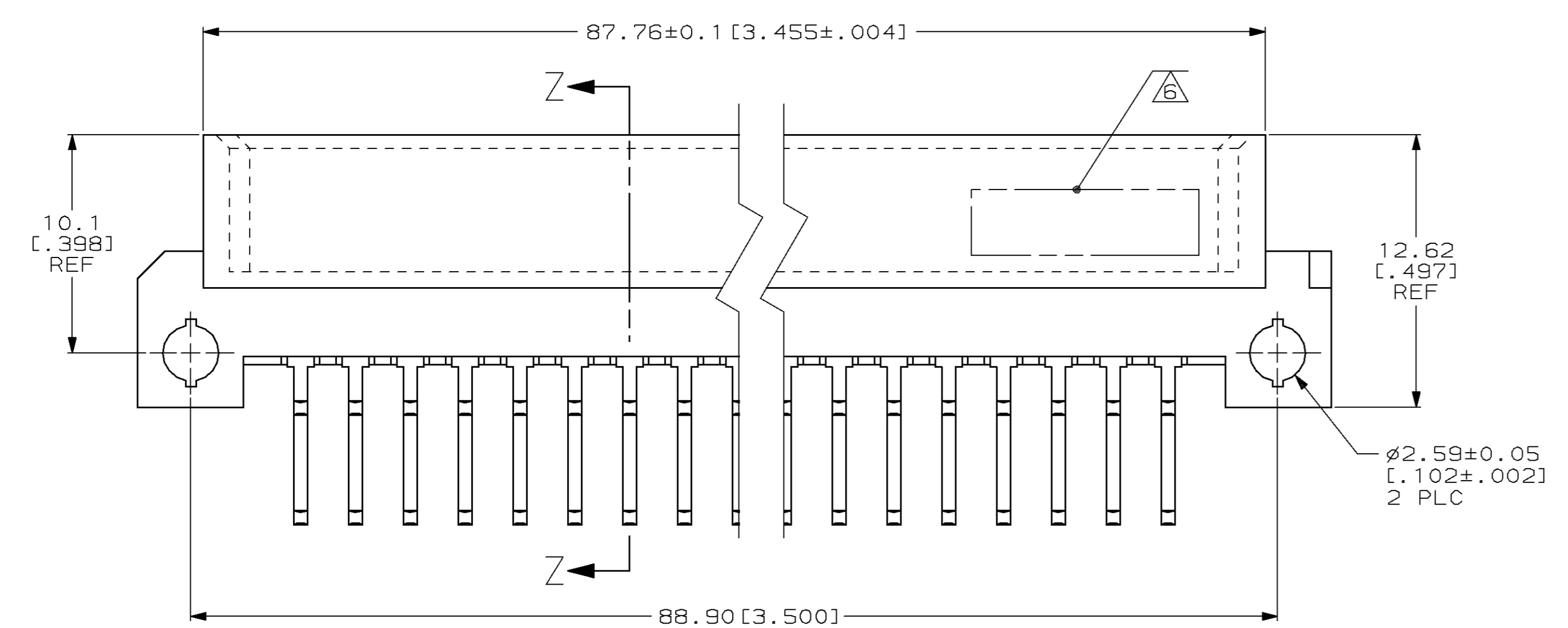
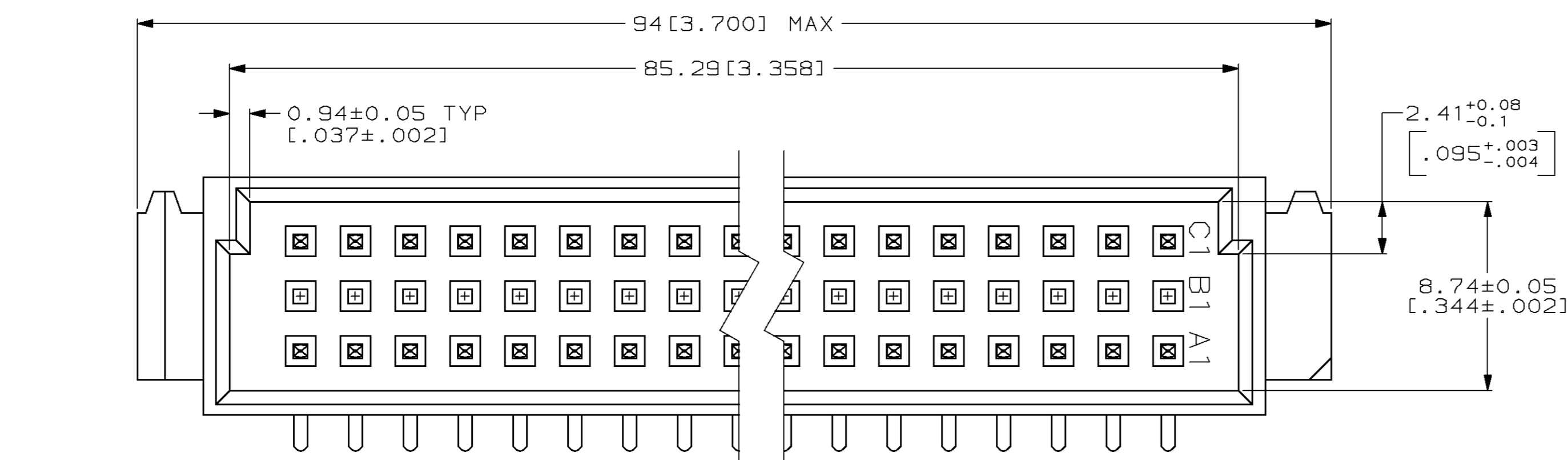


LOC	DIST	P	F	ZONE	LTR	DESCRIPTION	DATE	APPD
AD	25					REVISIONS		
						0 DRAWN		
						A ECN AD5588	5/22/91	LSB
						B ECN AD5640	6/10/91	LSB
						C ECN AD5876	11/14/91	LSB
						D ECN AD5995	12/30/91	LSB
						E ECN AD6252	5/21/92	LSB
						F EC 0010-0404-94	3/23/94	LSB
						G EC 0010-0436-94	3/25/94	LSB
						H EC 0010-0077-95	2/24/95	LSB



- △ HOUSING MATERIAL: GLASS-FILLED POLYESTER. COLOR: GRAY.
- △ POST MATERIAL: BRASS.
- △ POST FINISH: DIN 41612 CLASS 3 IN CONTACT AREA. TIN-LEAD PLATE ON POSTS.
- △ POST FINISH: DIN 41612 CLASS 2 IN CONTACT AREA. TIN-LEAD PLATE ON POSTS.
- △ RECOMMENDED HOLE SIZE FOR MANUAL APPLICATION OF CONNECTOR ONTO PC BOARD.
- △ [PART NUMBER, DATE CODE] MARKED THIS APPROXIMATE AREA.
- △ MARKING ON THIS SIDE.

NOTES	POSITIONS LOADED	C	B	A	NO. OF LOADED POSITION	ASSY PART NUMBER

DO NOT SCALE PRINT. UNLESS SPECIFIED DIMENSIONS IN mm [INCHES] TOLERANCES ON:

1 PLC DEC ± -
 2 PLC DEC ± 0.13 [.005]
 ANGLES ± -

DR	L. BRINER	3/20/91
CHK	D.C. RUBENDALL	1/7/92
APPD	D.C. RUBENDALL	1/7/92
APPD	K.R. PARMER	1/7/92

MATERIAL
 HOUSING: △
 POST: △

FINISH
 POST: △△

SIZE	D	CAGE CODE	00779	DRAWING NO	650951
SCALE	5:1			SHEET	1 OF 1

AMP Incorporated
 Harrisburg, PA 17105-3608

PIN ASSEMBLY, EUROCARD,
 TYPE "C"

PART NO