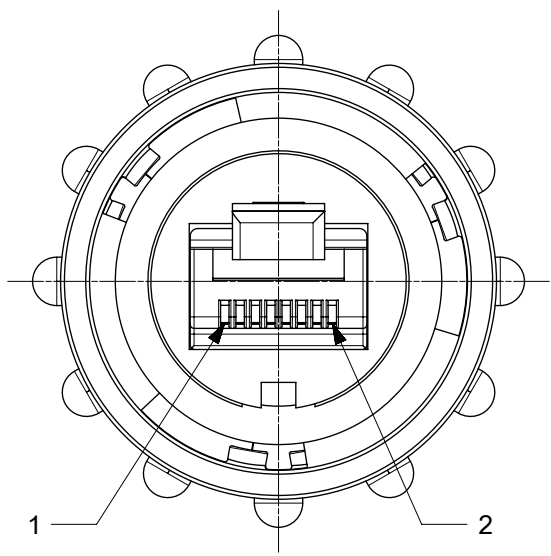
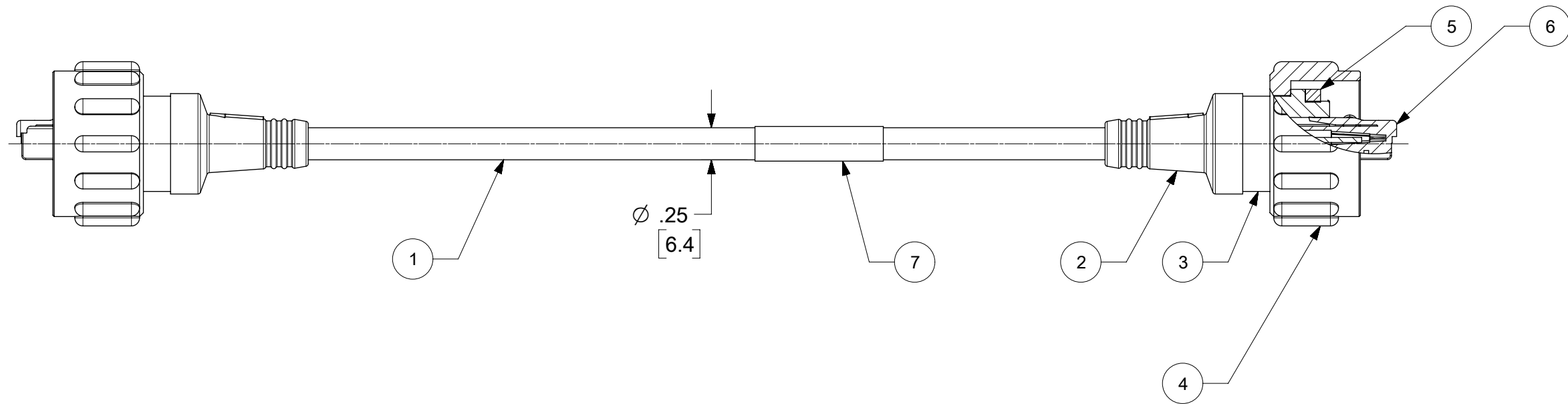
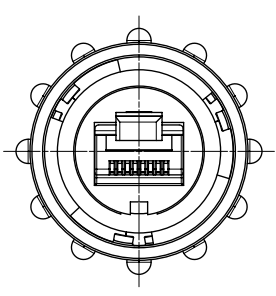
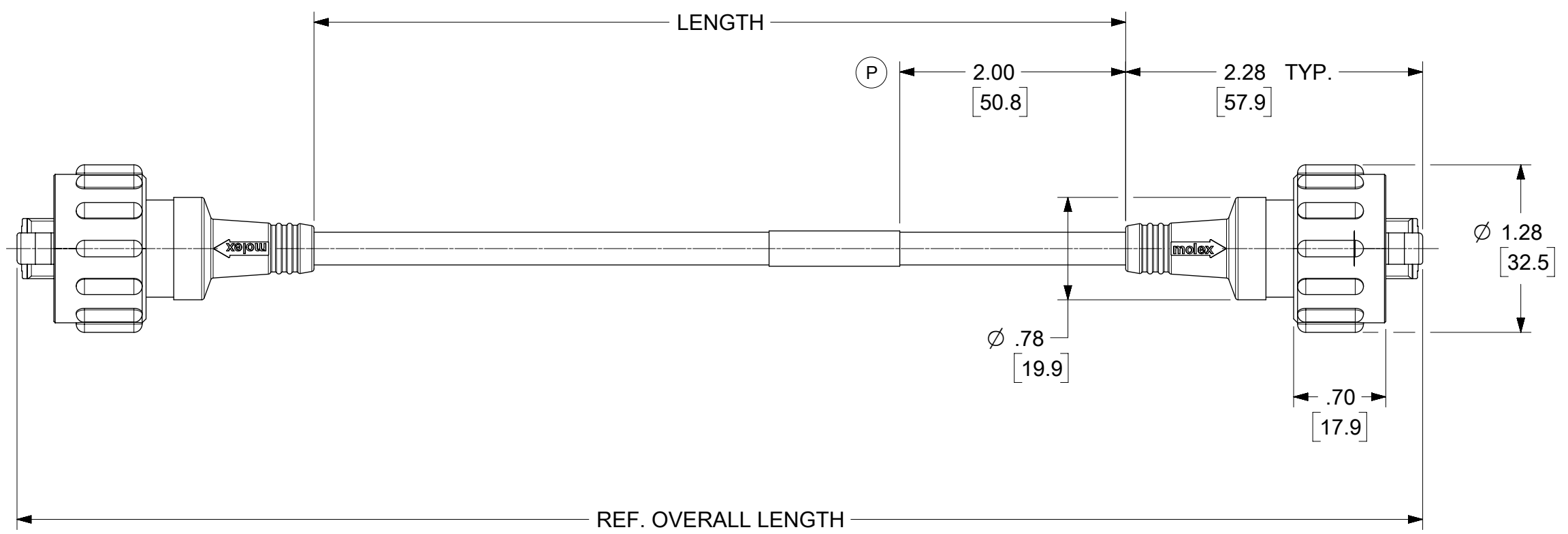
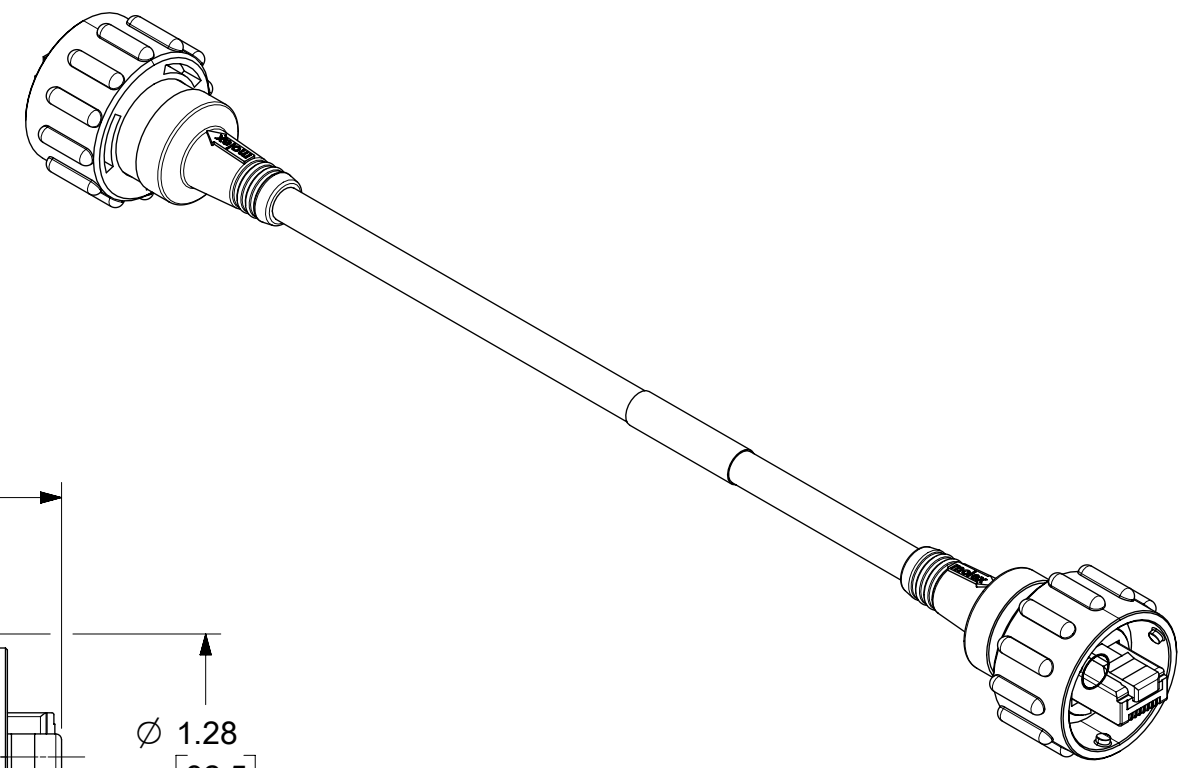


MATERIAL NO.	LENGTH	REF. OVERALL LENGTH
847021001	1 FT 0 IN (0.3M)	1 FT 4.6 IN (0.42M)
847021003	3 FT 0 IN (0.9M)	3 FT 4.6 IN (1.03M)
847021006	6 FT 0 IN (1.8M)	6 FT 4.6 IN (1.95M)
847021007	7 FT 0 IN (2.1M)	7 FT 4.6 IN (2.25M)
847021009	9 FT 0 IN (2.7M)	9 FT 4.6 IN (2.86M)
847021010	10 FT 0 IN (3.1M)	10 FT 4.6 IN (3.16M)
847021012	12 FT 0 IN (3.7M)	12 FT 4.6 IN (3.77M)

MATERIAL NO.	LENGTH	REF. OVERALL LENGTH
847021015	15 FT 0 IN (4.6M)	15 FT 4.6 IN (4.69M)
847021016	16 FT 0 IN (4.9M)	16 FT 4.6 IN (4.99M)
847021020	20 FT 0 IN (6.1M)	20 FT 4.6 IN (6.21M)
847021021	21 FT 0 IN (6.4M)	21 FT 4.6 IN (6.52M)
847021030	30 FT 0 IN (9.1M)	30 FT 4.6 IN (9.26M)
847021050	50 FT 0 IN (15.2M)	50 FT 4.6 IN (15.35M)
847021100	100 FT 0 IN (30.4M)	100 FT 4.6 IN (30.60M)



- NOTES:
1. MATERIAL: AS NOTED
  2. FINISH: AS NOTED
  3. ELECTRICAL:  
VOLTAGE: 125V  
CURRENT: 1.5A
  4. TEMP RATING: -20°C TO +80°C
  5. PROTECTION: IP67 (WHEN MATED)
  6. MATES WITH STANDARD & BAYONET STYLE RJ-45 JACK ASSEMBLIES.
  7. ASSEMBLY IS ROHS COMPLIANT
  8. ALL DIMS ARE FOR REFERENCE UNLESS TOLERANCED OR NOTED OTHERWISE

P2	P1
1 WHITE-ORANGE	1
2 ORANGE	2
3 WHITE-GREEN	3
4 BLUE	4
5 WHITE-BLUE	5
6 GREEN	6
7 WHITE-BROWN	7
8 BROWN	8

WIRE DIAGRAM (TIA/EIA 568B)

ITEM	DESCRIPTION	MATERIAL	DESCRIPTION
7	WRAP LABEL	VINYL	BLACK/YELLOW
6	RJ-45 PLUG, SHIELDED	PER VENDOR SPEC	GOLD PL. CONTACTS
5	GASKET SEAL	NITRILE	BLACK
4	RJ-45 COUPLING RING	PBT	BLACK
3	RJ-45 HOLDER	PBT	BLACK
2	OVERMOLD BODY	TPC	BLACK
1	#24-4 ENET CBL CAT 6	PVC JACKET	GRAY

CABLE LENGTH TOLERANCES

<.3M [1FT]: +19mm-0 [ +.75in-0]

.3 - .9M [1 - 3FT]: +44.5mm-0 [+1.75in-0]

.9 - 1.8M [3 - 6FT]: +55.6mm-0 [+2.19in-0]

1.8 - 3.7M [6 - 12FT]: +88.9mm-0 [+3.50in-0]

3.7 - 7.3M [12 - 24FT]: +165.1mm-0 [+6.50in-0]

7.3-14.6M [24 - 48FT]: +317.5mm-0 [+12.50in-0]

14.6 - 30.5M [48-100FT]: +622.3mm-0 [+24.50in-0]

OVER 30M [100FT] +2% OF FINISHED LENGTH

FUNCTIONAL SYMBOLS	THIS DRAWING CONTAINS INFORMATION THAT IS PROPRIETARY TO MOLEX ELECTRONIC TECHNOLOGIES, LLC AND SHOULD NOT BE USED WITHOUT WRITTEN PERMISSION		CURRENT REV DESC: REDRAW TO NX, UPDATE NOTES & O-MOLD WAS PVC, ADD LENGTH TOLS	
FA = 0	DIMENSION UNITS	SCALE	EC NO: 647365	
FC = 0	INCH/MM	1:1	DRWN: RSTONE	2020/09/21
FP = 0	GENERAL TOLERANCES (UNLESS SPECIFIED)		CHK'D: CCHRASKA	2020/10/20
DIVISIONAL SYMBOLS	4 PLACES	±	APPR: BWOODMAN	2020/10/24
	3 PLACES	±	INITIAL REVISION:	
	2 PLACES	±	DRWN: SBULLERWELL	2003/12/18
	1 PLACE	±	APPR: pwaltz	2003/12/18
	0 PLACES	±	THIRD ANGLE PROJECTION	
	ANGULAR TOL	± °	DRAWING	SERIES
	DRAFT WHERE APPLICABLE MUST REMAIN WITHIN DIMENSIONS		C-SIZE	84702
DOCUMENT STATUS		P1	RELEASE DATE	2020/10/24 14:33:07
DOCUMENT NUMBER		CUSTOMER		SHEET NUMBER
SD-84702-001		GENERAL MARKET		1 OF 1