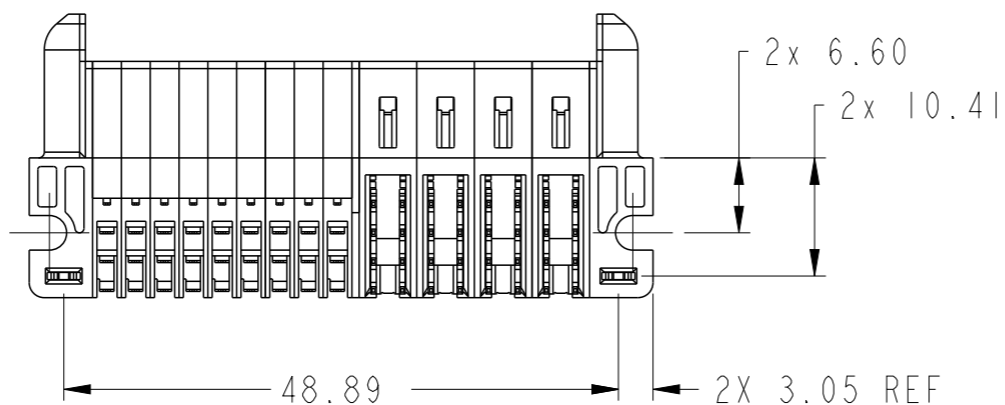
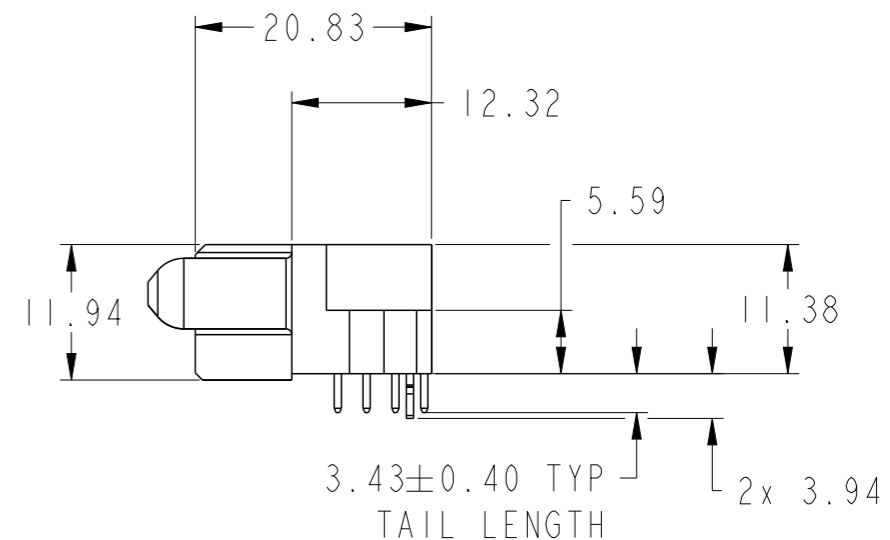
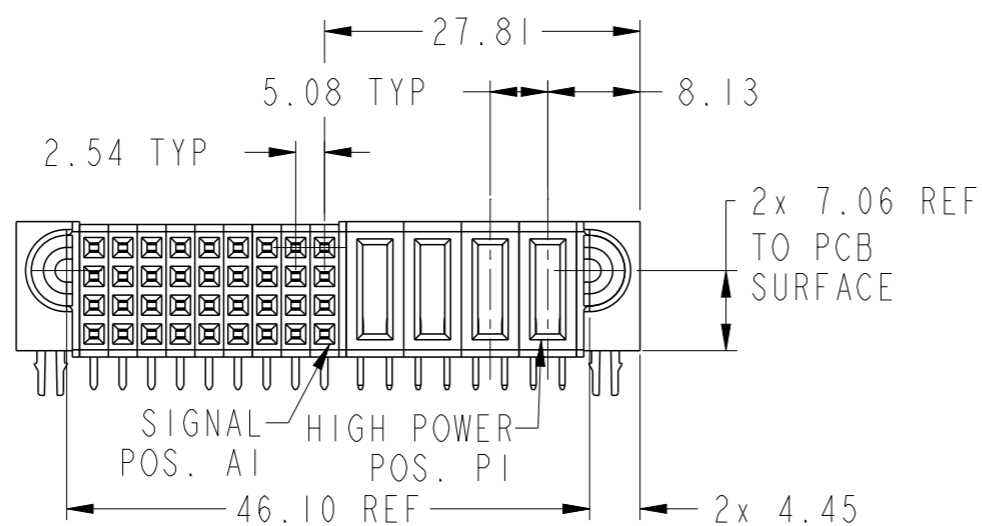
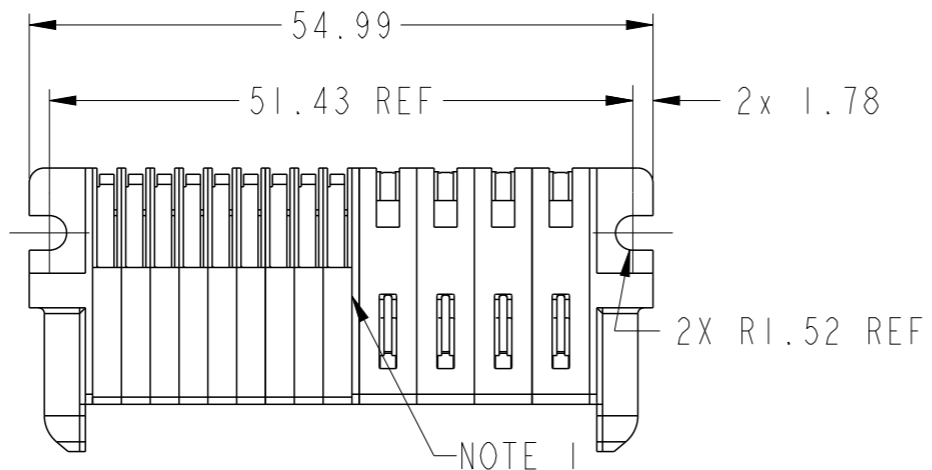


PRODUCT NUMBER SEE SHEET 2

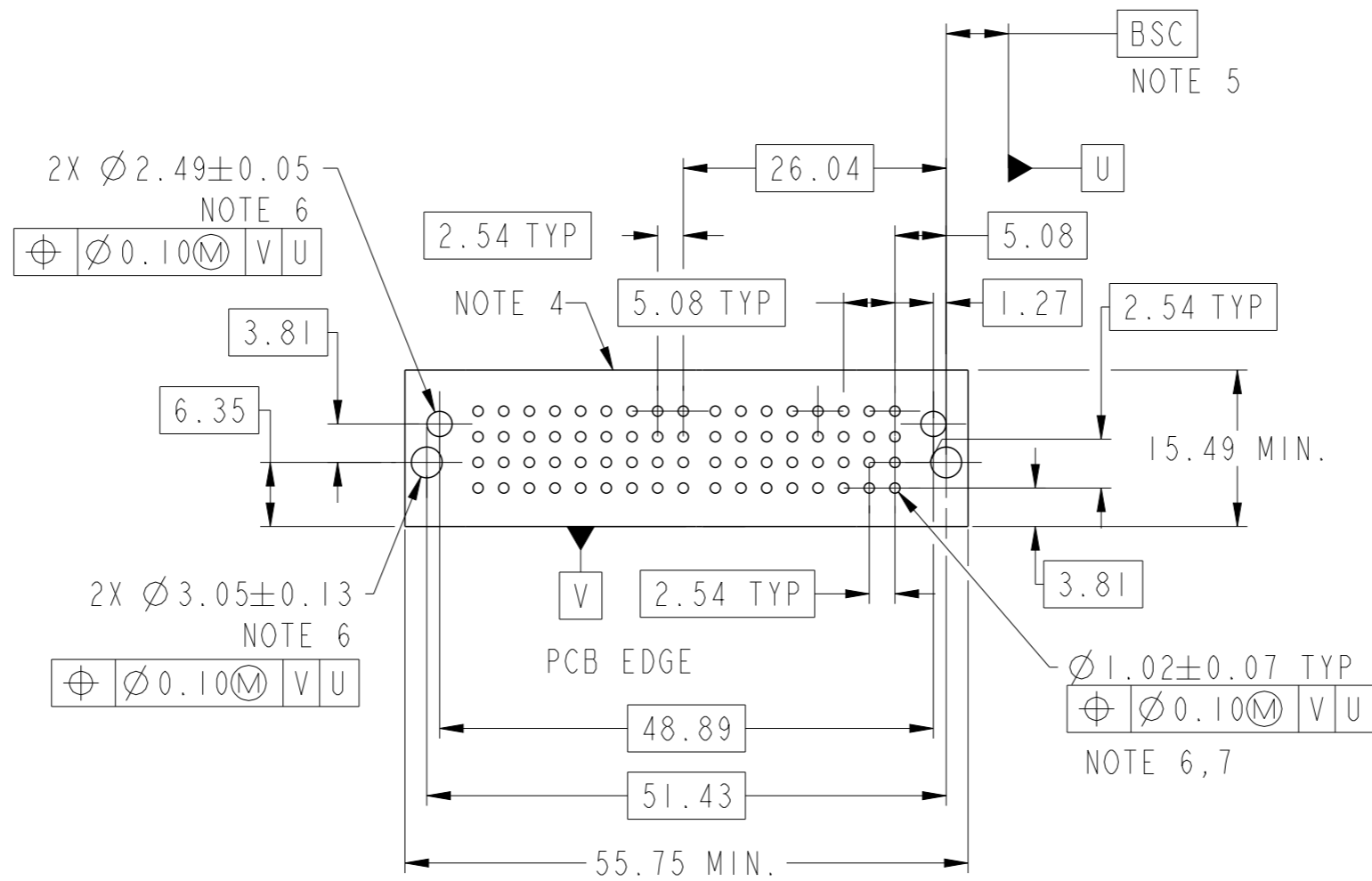


spec ref	*	dr	Rainbow Zhan	2015/02/09	projection	MM	size	A3	scale	3:2									
tolerance std	ASME Y14.5	eng	Rainbow Zhan	2015/03/03			ecn no		-										
TOLERANCES UNLESS OTHERWISE SPECIFIED		chr	-	-			rel level		Released										
surface	<input checked="" type="checkbox"/> linear <input type="checkbox"/> angular	appr	Pei-Ming Zheng	2015/03/03	product family	PwrBlade+	rel level	Released											
ASME Y14.5	<table border="1"> <tr> <td>linear</td> <td>0.X</td> <td>±0.5</td> </tr> <tr> <td></td> <td>0.XX</td> <td>±0.25</td> </tr> <tr> <td></td> <td>0.XXX</td> <td>±0.10</td> </tr> <tr> <td>angular</td> <td>0°</td> <td>±2°</td> </tr> </table>	linear	0.X	±0.5		0.XX	±0.25		0.XXX	±0.10	angular	0°	±2°		title 4HDP + 36S RA STB RECEPTACLE	cat. no.	Product - Customer Drw	sheet 1 of 3	rev A
linear	0.X	±0.5																	
	0.XX	±0.25																	
	0.XXX	±0.10																	
angular	0°	±2°																	

Copyright FCI.

PRODUCT NO.	ROWS	SIGNAL									HIGH POWER				E2
		E1	9	8	7	6	5	4	3	2	1	P4	P3	P2	
10106134-4009101LF	D C B A		H	H	H	H	H	H	H	H	H1	H1	H1	H1	

CODE	DESCRIPTION
E	STD SIGNAL CONTACT, ROW A
F	STD SIGNAL CONTACT, ROW B
G	STD SIGNAL CONTACT, ROW C
H	STD SIGNAL CONTACT, ROW D
HI	MFBL HIGH POWER CONTACT(3.43)
HA	METAL HOLD DOWN



Copyright FCI.

dr	Rainbow Zhan	2015/02/09	projection	MM	size	A3	scale	3:2	
eng	Rainbow Zhan	2015/03/03		← →	ecn no	-			
chr	-	-			product family	PwrBlade+	rel level	Released	
appr	Pei-Ming Zheng	2015/03/03	www.fci.com		title	4HDP + 36S RA STB RECEPTACLE		rev	A
cat. no.			Product - Customer Drw			sheet 2 of 3			

NOTES:

- 1) "FCI", PART NUMBER AND DATE CODE TO BE MARKED ON THIS SURFACE.
THE MARK CAN BE OMITTED IF THERE IS NOT ENOUGH SPACE ON THIS SURFACE.
- 2) MATERIALS:
-HOUSING - GLASS FILLED WITH HIGH TEMP THERMOPLASTIC, UL94V-0.
-SIGNAL CONTACT - COPPER ALLOY.
-POWER CONTACT - HIGH CONDUCTIVITY COPPER ALLOY.
- 3) PLATING SPECIFICATION REFER TO FCI 10124315
- 4) DENOTES CONNECTOR KEEP OUT ZONE.
- 5) DATUM AND BASIC DIMENIONS WERE ESTABLISHED BY CUSTOMER.
- 6) ALL HOLE DIAMETERS ARE FINISHED HOLE SIZES.
- 7) 1.15 ± 0.025 MM DRILLED HOLE PLATED WITH 0.00762MM MIN Sn
OVER 0.0254-0.0762MM Cu PLATING TO ACHIEVE A 1.02 ± 0.07 MM HOLE.
- 8) PRODUCT SPECIFICATION REFER TO FCI GS-12-658.
APPLICATION SPECIFICATION REFER TO FCI GS-20-141.
PRODUCT PACKAGED IN TRAYS, REFER TO FCI GS-14-1502.
- 9) THE VOID CORING IN BETWEEN POWER MODULES, SIGNAL
MODULES AND END MODULES ARE OPTIONAL AND THE SHAPE
MAY BE DIFFERENT FOR OPTIMIZE THE MOLDING PROCESS. THE
VOID CORING WILL NOT EFFECT TO PRODUCT FUNCTION.



Copyright FCI.

dr	Rainbow Zhan	2015/02/09	projection 	MM 	size	A3	scale	3:2	
eng	Rainbow Zhan	2015/03/03			ecn no	-			
chr	-	-	product family	PwrBlade+	rel level	Released			
appr	Pei-Ming Zheng	2015/03/03			title	4HDP + 36S		rev	A
www.fci.com			cat. no.	Product - Customer Drw		dwg no	10106134-4009101		sheet 3 of 3