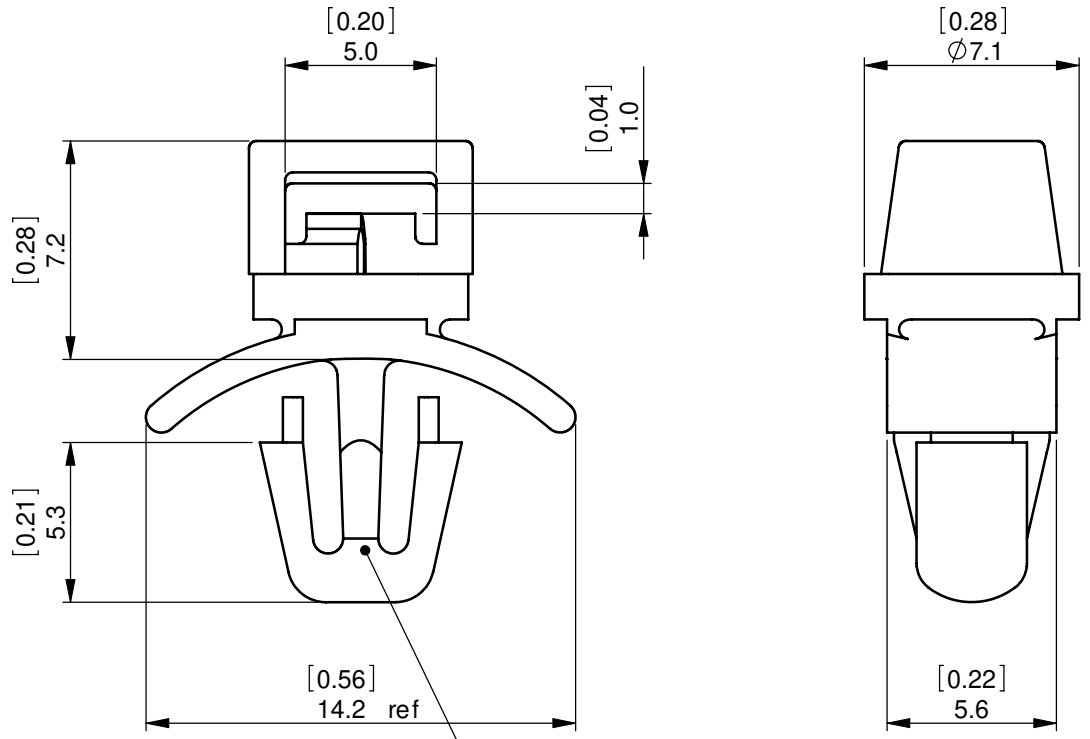


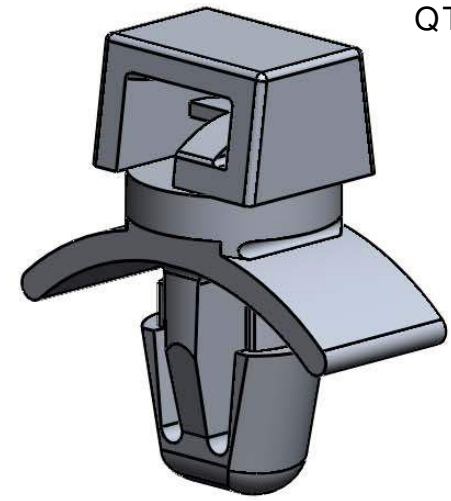
REV.	MODIFICATION.	DATE	DRN
01	Production Release	11/08/08	TC
02	CO2010318	12/08/08	SF
03	CO2010356	26/08/08	MT
04	CO2010406	26/09/08	MT



TO SNAP LOCK INTO A ϕ 5.3mm [0.21] HOLE,
IN A 0.8mm [0.03] - 2.0mm [0.08] PANEL THICKNESS

NOTE: AVAILABLE IN RMS-19 BY SPECIAL ORDER

ACCEPTS CABLE TIES
WITE-18, WITE-50,
QTE-18, QTE-50.



<p>INFORMATION CONTAINED IN THIS DOCUMENT IS CONFIDENTIAL TO RICHCO INTERNATIONAL Co. Ltd. AND MAY NOT BE DISCLOSED OR REPRODUCED IN WHOLE OR PART WITHOUT THEIR WRITTEN CONSENT.</p>					
			<p>METRIC PRIMARY UNITS: mm IMPERIAL SECONDARY UNITS: [inches] GENERAL TOLERANCES \pm0.25 [0.010] UNLESS OTHERWISE STATED 1 DECIMAL PLACE \pm 2 DECIMAL PLACES \pm ANGULAR \pm1°</p>		<p>THIRD ANGLE</p>
<p>MATERIAL: PA 6/6 (RMS-01)</p>			<p>COLOUR: NATURAL</p>		
<p>DESCRIPTION: FTI FOR A ϕ5.3 PANEL HOLE</p>			<p>PART No: FTI-3A-01</p>		
<p>DRG No: 08-048</p>		<p>NPR No: FN08-0009</p>		<p>Mass:(g) 0.4</p>	<p>SHEET SIZE A4</p>
<p>DRN MT</p>	<p>DATE 29/05/08</p>	<p>CHKD TC</p>	<p>DATE 11/08/08</p>	<p>SCALE NTS</p>	<p>SHEET No. 1 OF 1</p>