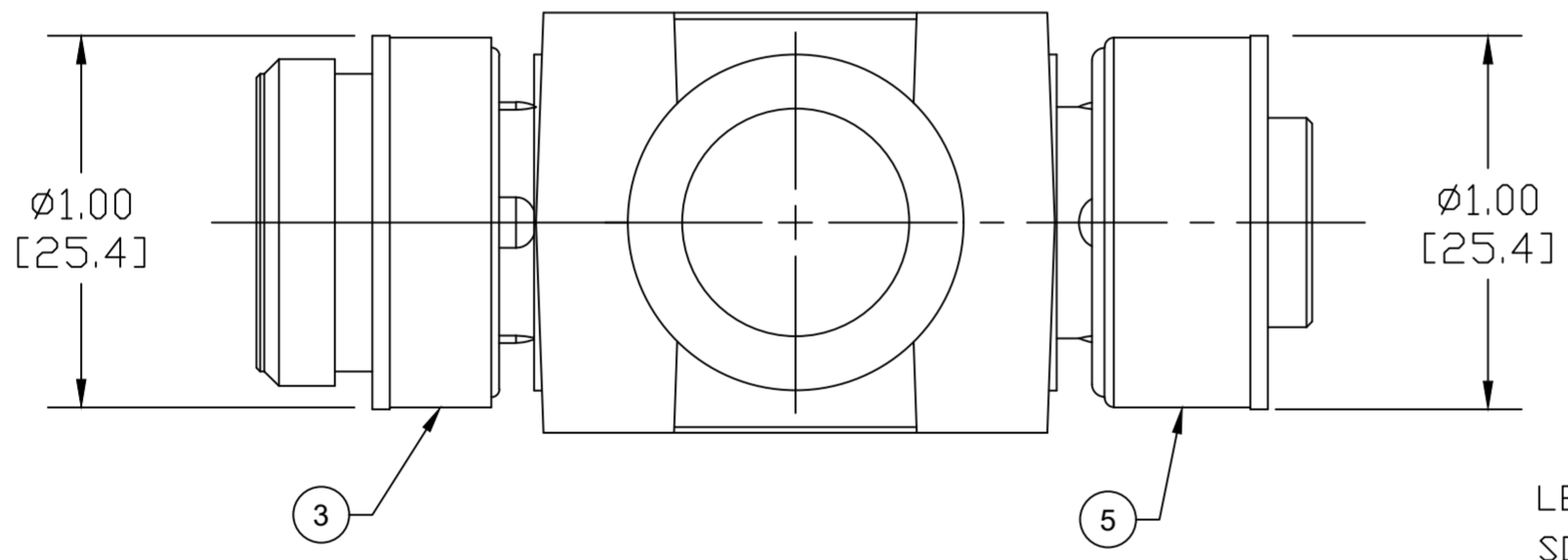
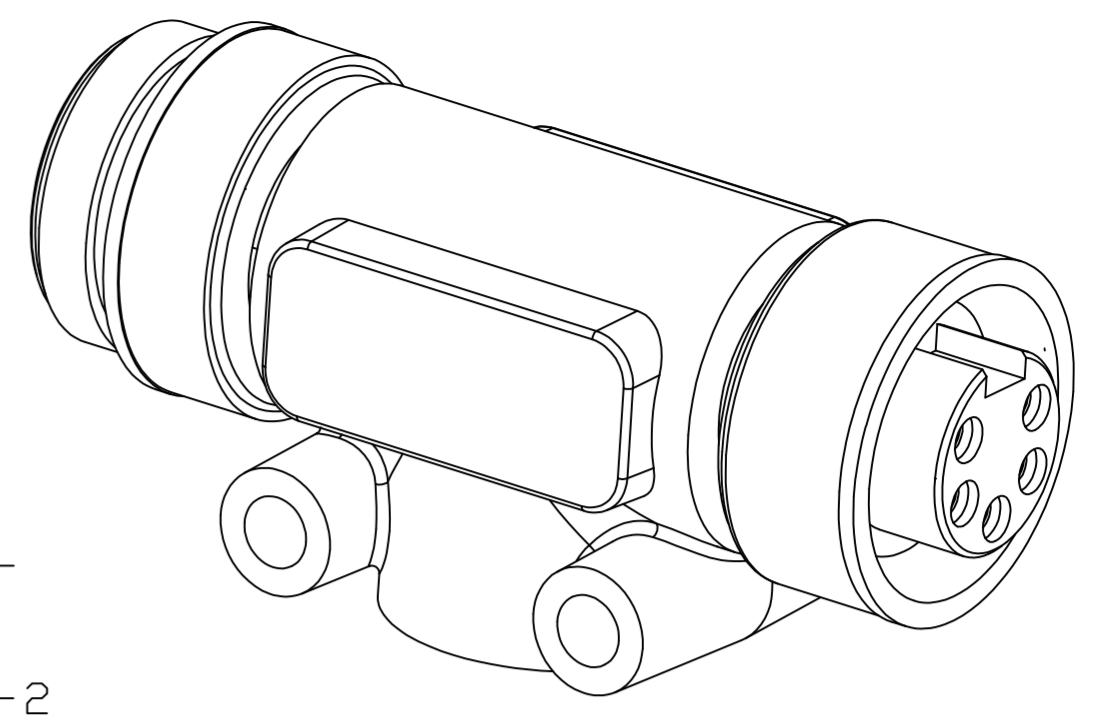
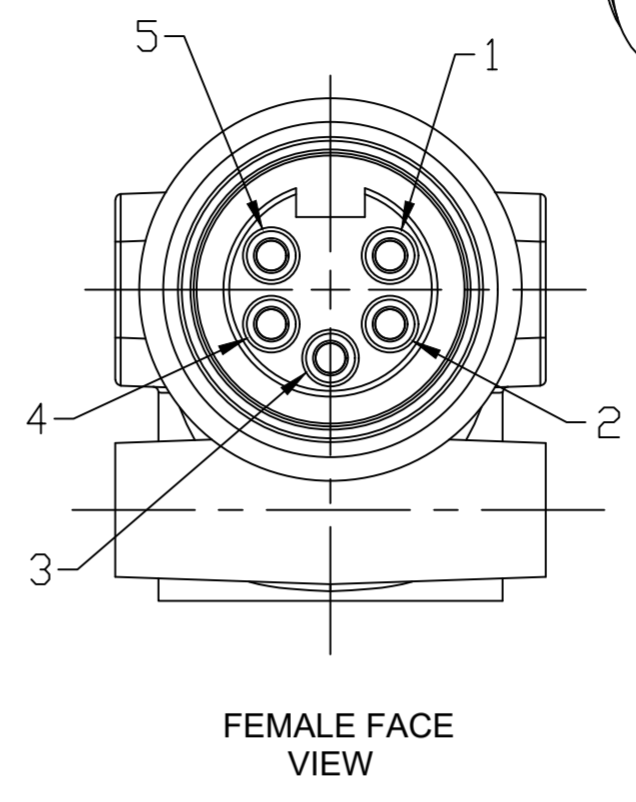
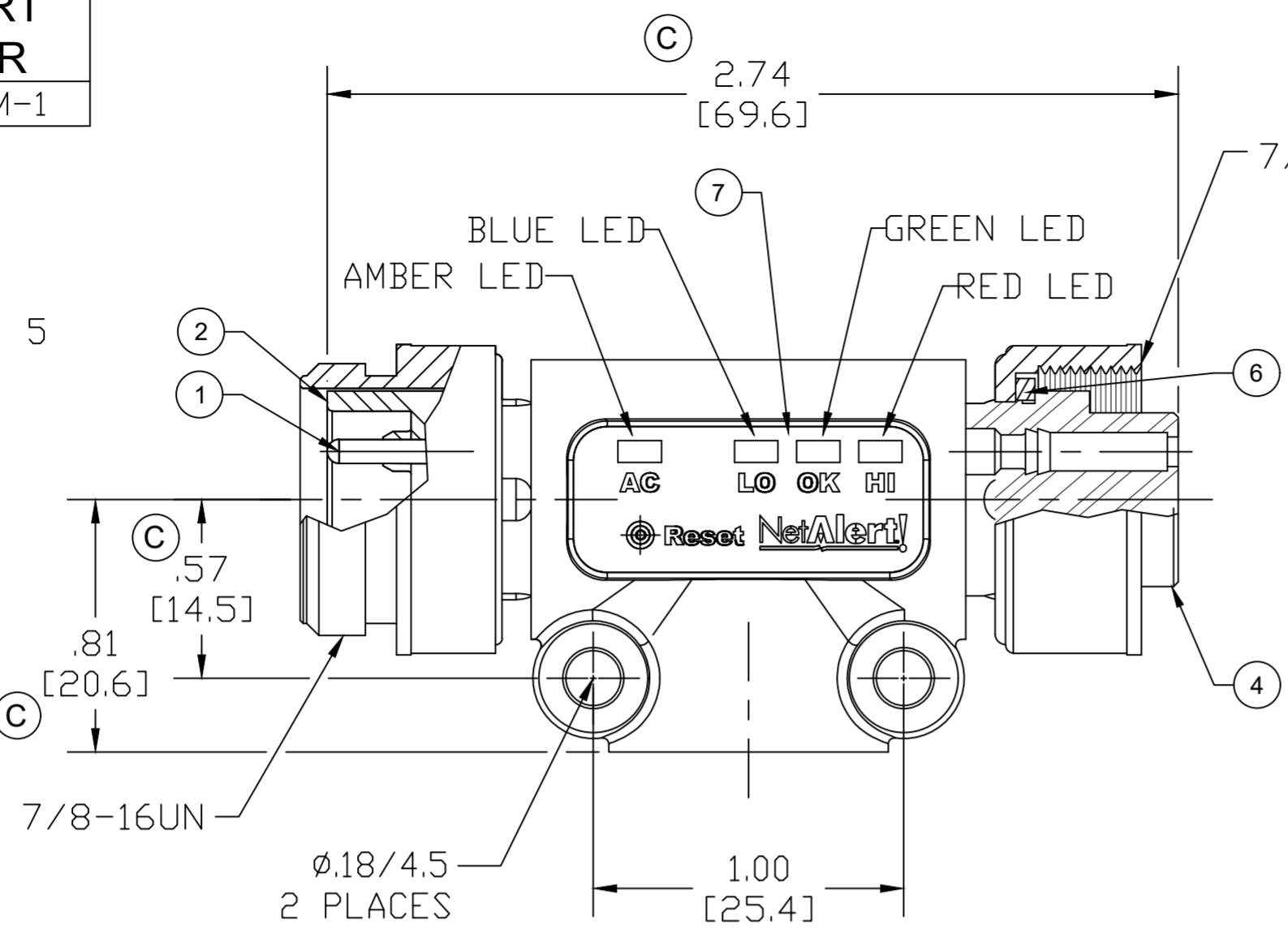
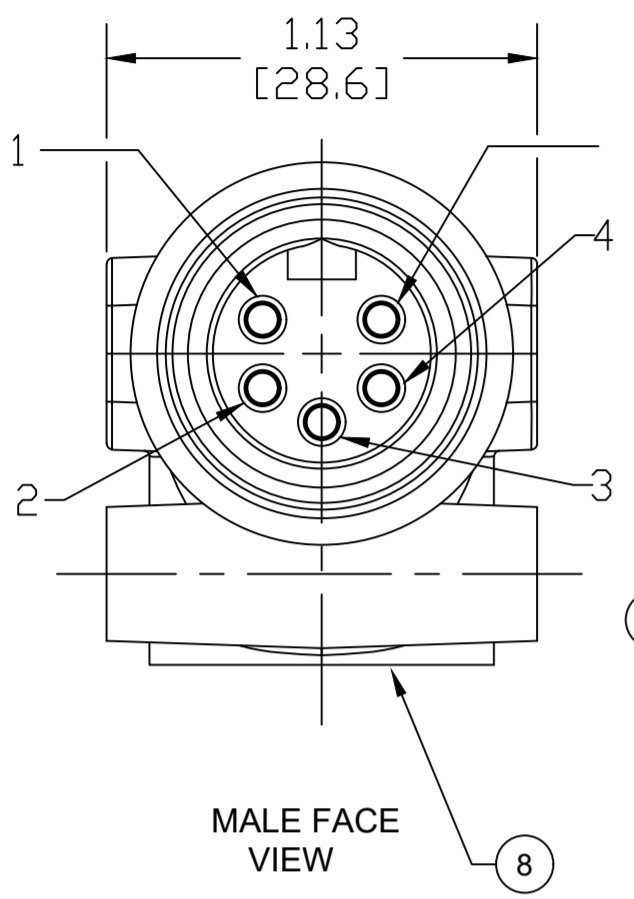
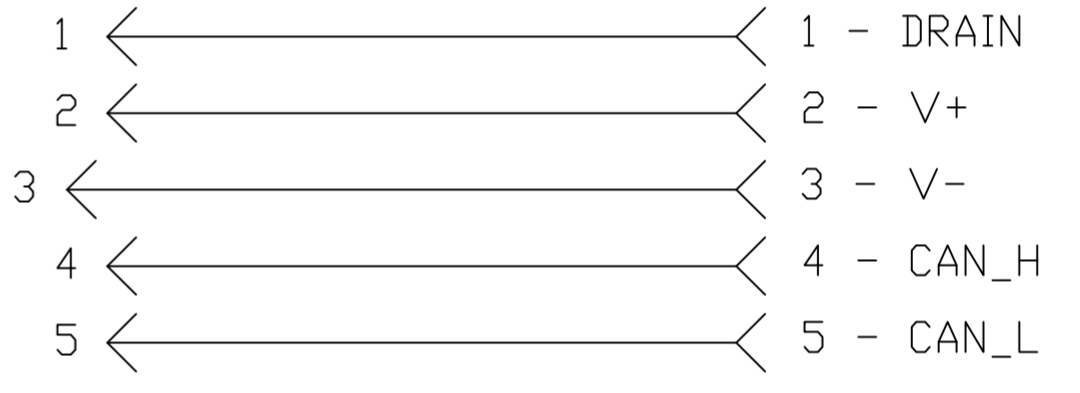


MATERIAL NUMBER	OLD PART NUMBER
130035-0007	115011A-PM-1



SCHEMATIC



- NOTES:
1. MATERIAL: AS NOTED
 2. FINISH: AS NOTED
 3. ELECTRICAL:
VOLTAGE: 30VDC
CURRENT: 8A
 4. TEMP RATING: -20°C TO +80°C
 5. PROTECTION: IP67 (WHEN MATED)
 6. COUPLING THREAD: AS NOTED
 7. ALL DIMS ARE FOR REFERENCE UNLESS TOLERANCED OR NOTED OTHERWISE

LED FUNCTIONALITY:

- SOLID GREEN LED = BUS VOLTAGE >12.90 AND <=24.78
- FLASHING GREEN LED = BUS VOLTAGE WITHIN LIMITS OF SOLID GREEN OPERATION, BUT POWER HAS BEEN CYCLED WITHIN PREVIOUS 24 HRS
- FLICKERING RED LED = BUS VOLTAGE >24.78 <(GREATER THAN 25.3 TO GUARANTEE DETECTION)
- FLASHING RED LED = BUS VOLTAGE >24.78 <25.3) WITHIN PREVIOUS 24 HRS
- FLICKERING BLUE LED = BUS VOLTAGE <12.90 <12.4)
- FLASHING BLUE LED = BUS VOLTAGE <12.90 <12.4) WITHIN PREVIOUS 24 HRS
- FLICKERING AMBER LED = BUS VOLTAGE HAS A REPEATED TRANSIENT VOLTAGE (BETWEEN 10Hz AND 250Hz) PRESENT THAT EXCEEDS THE DETECTION THRESHOLD (THRESHOLD LEVEL VARIES BY FREQUENCY)
- FLASHING AMBER LED = BUS VOLTAGE HAS EXPERIENCED A TRANSIENT OR RIPPLE AS SPECIFIED FOR FLICKERING AMBER CONDITION WITH PREVIOUS 24 HRS

ITEM	DESCRIPTION	MATERIAL	FINISH
8	OVERMOLD	TPC	GRAY
7	D-NET LENS ASSY	POLYCARB/PCB	CLEAR
6	FRICTION RING	NYLON	WHITE
5	FEMALE COUPLING	ZINC DIE-CAST	BLACK E-COAT
4	FEMALE INSERT	TPE	BLACK
3	MALE COUPLING	ZINC DIE-CAST	BLACK E-COAT
2	MALE INSERT	TPE	BLACK
1	PIN/SOCKET CONTACT	COPPER ALLOY	GOLD PLATED

FUNCTIONAL SYMBOLS		THIS DRAWING CONTAINS INFORMATION THAT IS PROPRIETARY TO MOLEX ELECTRONIC TECHNOLOGIES, LLC AND SHOULD NOT BE USED WITHOUT WRITTEN PERMISSION		CURRENT REV DESC: CHANGE BRAD LOGO TO NET-ALERT, INSERTS WERE GRAY, UPDATE BOM TABLE AND BORDER CORRECT OVERMOLD DIMS, UPDATE NOTES		
FA=0	DIMENSION UNITS	INCH/MM	SCALE	1:1		
	GENERAL TOLERANCES (UNLESS SPECIFIED)					
FC=0			mm	INCH		
	4 PLACES	±----	±----			
FP=0	3 PLACES	±----	±----			
	2 PLACES	±----	±----			
DIVISIONAL SYMBOLS	1 PLACE	±----	±----			
	0 PLACES	±----	±----			
ANGULAR TOL ± ---- °						
DRAFT WHERE APPLICABLE MUST REMAIN WITHIN DIMENSIONS		THIRD ANGLE PROJECTION		DRAWING	SERIES	
		C-SIZE		130035		
DOCUMENT STATUS		P1	RELEASE DATE	2022/03/18	22:35:34	

molex

DNET POWER MONITOR
INLINE DEVICENET

PRODUCT CUSTOMER DRAWING

DOCUMENT NUMBER: **SD-130035-009**

DOC TYPE/DOC PART/REVISION: **PSD 001 C**

MATERIAL NUMBER: **130035**

CUSTOMER: **GENERAL MARKET**

SHEET NUMBER: **1 OF 1**