

6

5

4

3

2

1

E

E

D

D

C

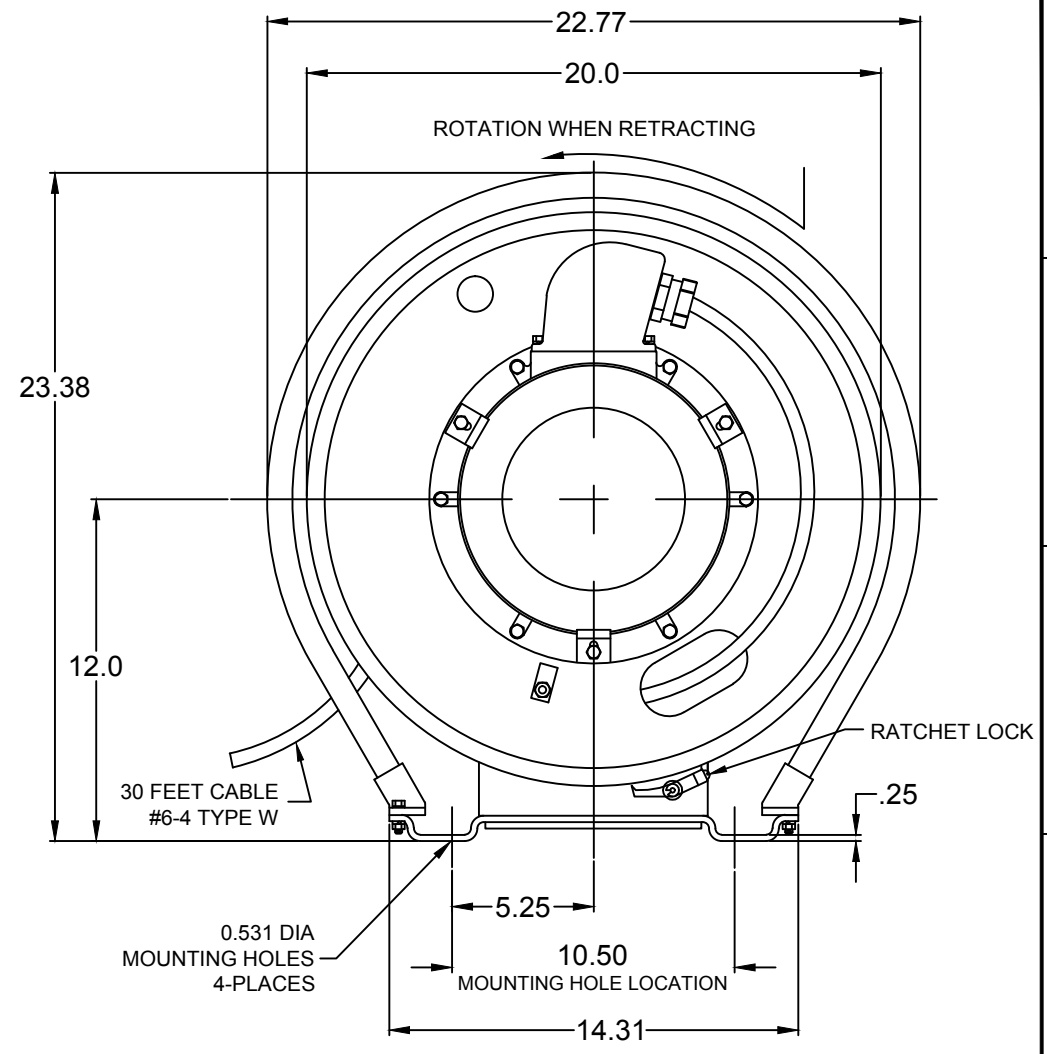
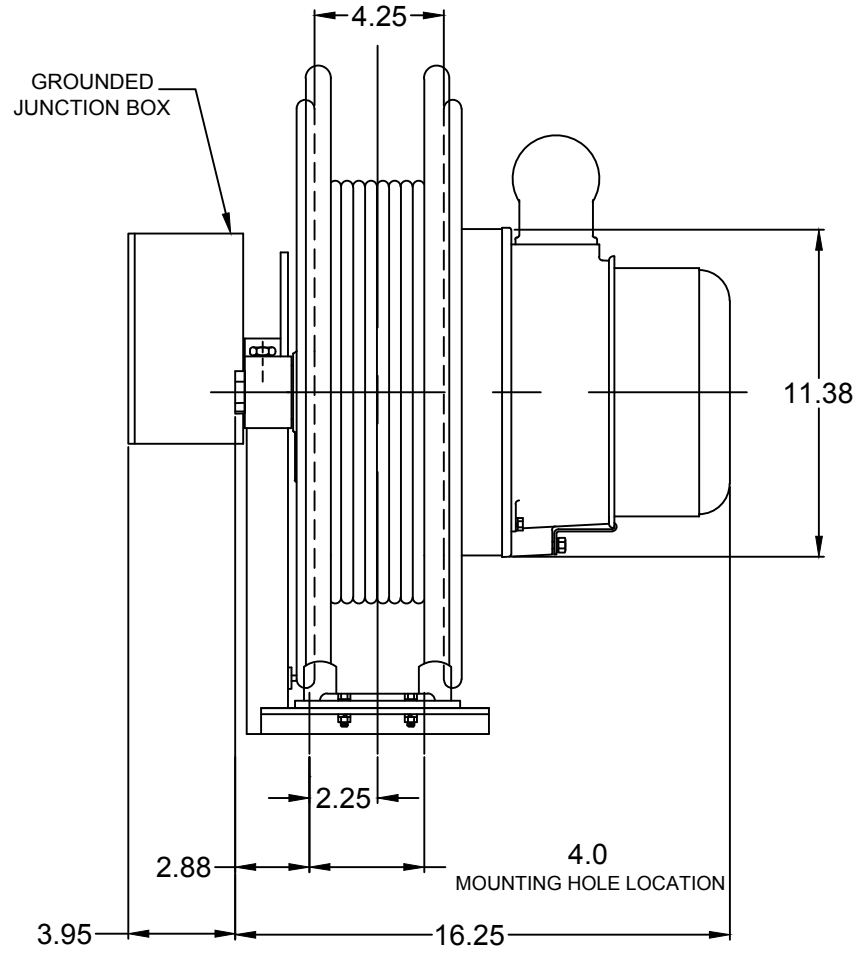
C

B

B

A

A



NOTES:

- ALL DIMENSIONS ARE REFERENCE.
- 600V RATED 44 AMP.
- ENGINEERING# 114216404GV0413

RELEASE DRAWING EC NO: IFC2017-1057 DRWN: BPATTERS 2017/06/22 CHKD: ---- APPR: HKNEELAN 2018/03/09	QUALITY SYMBOLS	GENERAL TOLERANCES (UNLESS SPECIFIED)		DIMENSION STYLE	SCALE	DESIGN UNITS	THIRD ANGLE PROJECTION	
	$\nabla=0$ $\nabla C=0$	mm	INCH	INCH	NTS	INCH		
		4 PLACES	±---	±---	DRAWN BY	DATE	TITLE	
		3 PLACES	±---	±---	BPATTERS	2017/06/22	114216404G6L CABLE REEL 30' OF #6-4 TYPE W CABLE WITH RATCHET LOCK	
	2 PLACES	±---	±---	CHECKED BY	DATE			
	1 PLACE	±---	±---	---	---			
		ANGULAR ± 5°		APPROVED BY	DATE			
		DRAFT WHERE APPLICABLE MUST REMAIN WITHIN DIMENSIONS		HKNEELAN	2018/03/09			
				MATERIAL NO.		DOCUMENT NO.	SHEET NO.	
				1300851143		SD-130085-1143	1 OF 1	
				SIZE	THIS DRAWING CONTAINS INFORMATION THAT IS PROPRIETARY TO MOLEX INCORPORATED AND SHOULD NOT BE USED WITHOUT WRITTEN PERMISSION			
				A				

6

5

4

3

2

1