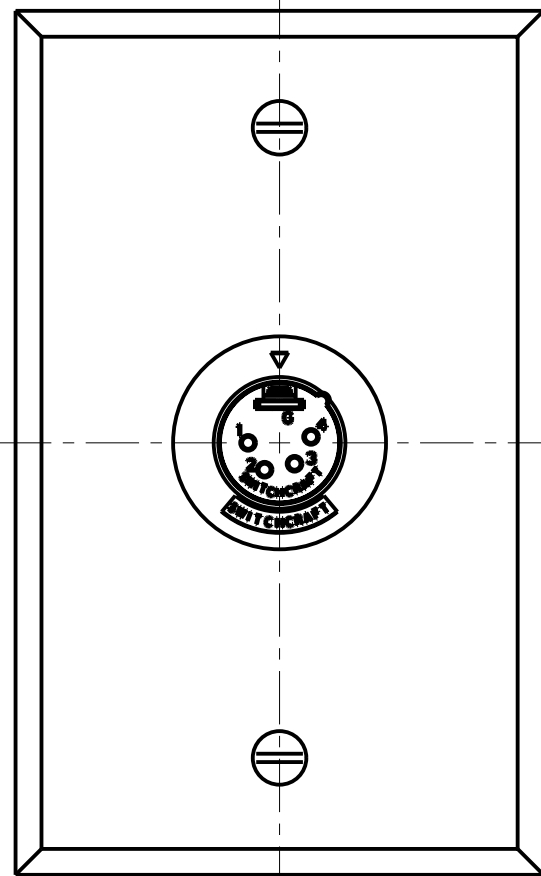
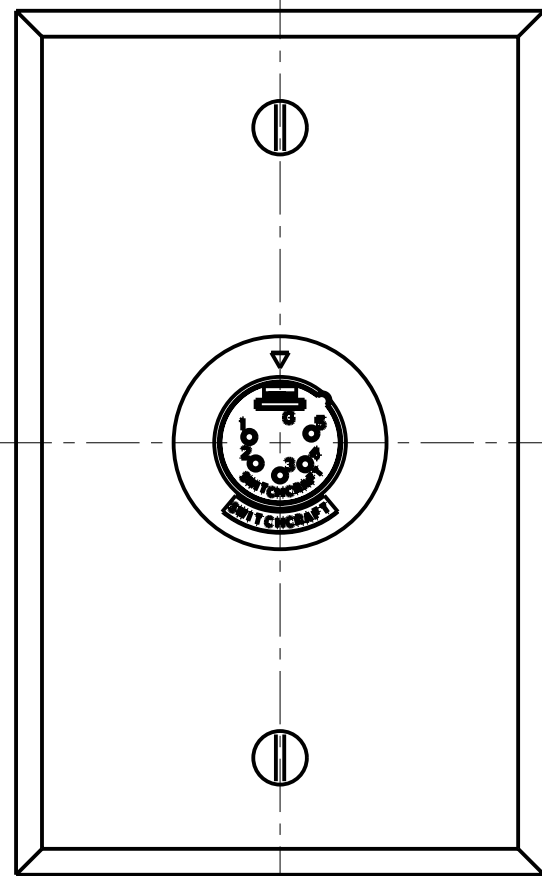


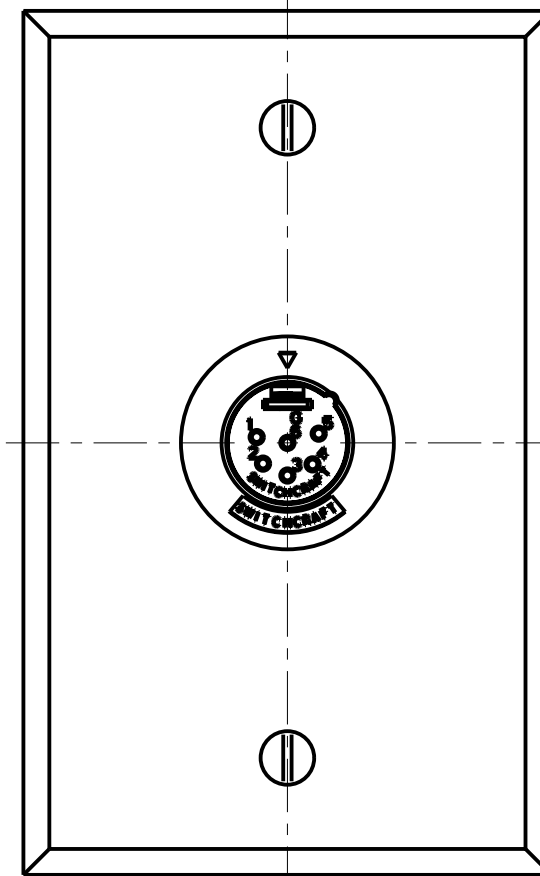
3 PIN



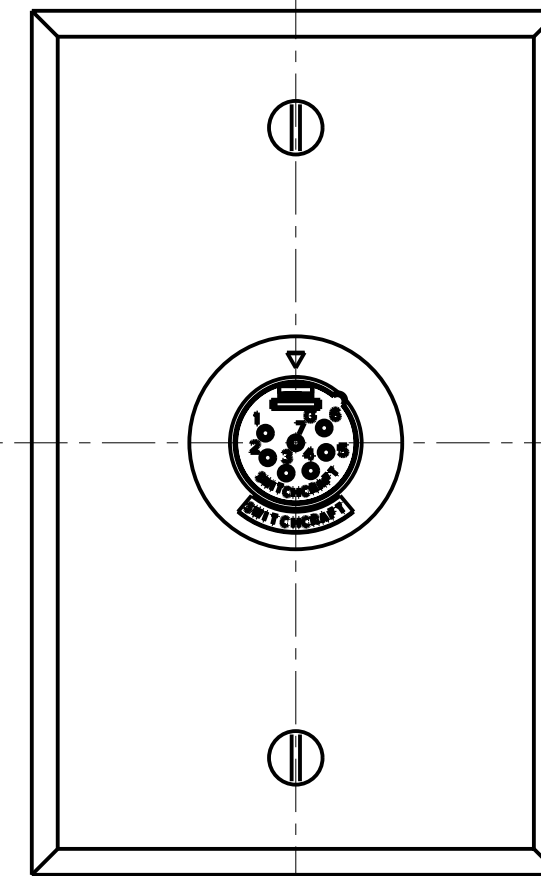
4 PIN



5 PIN



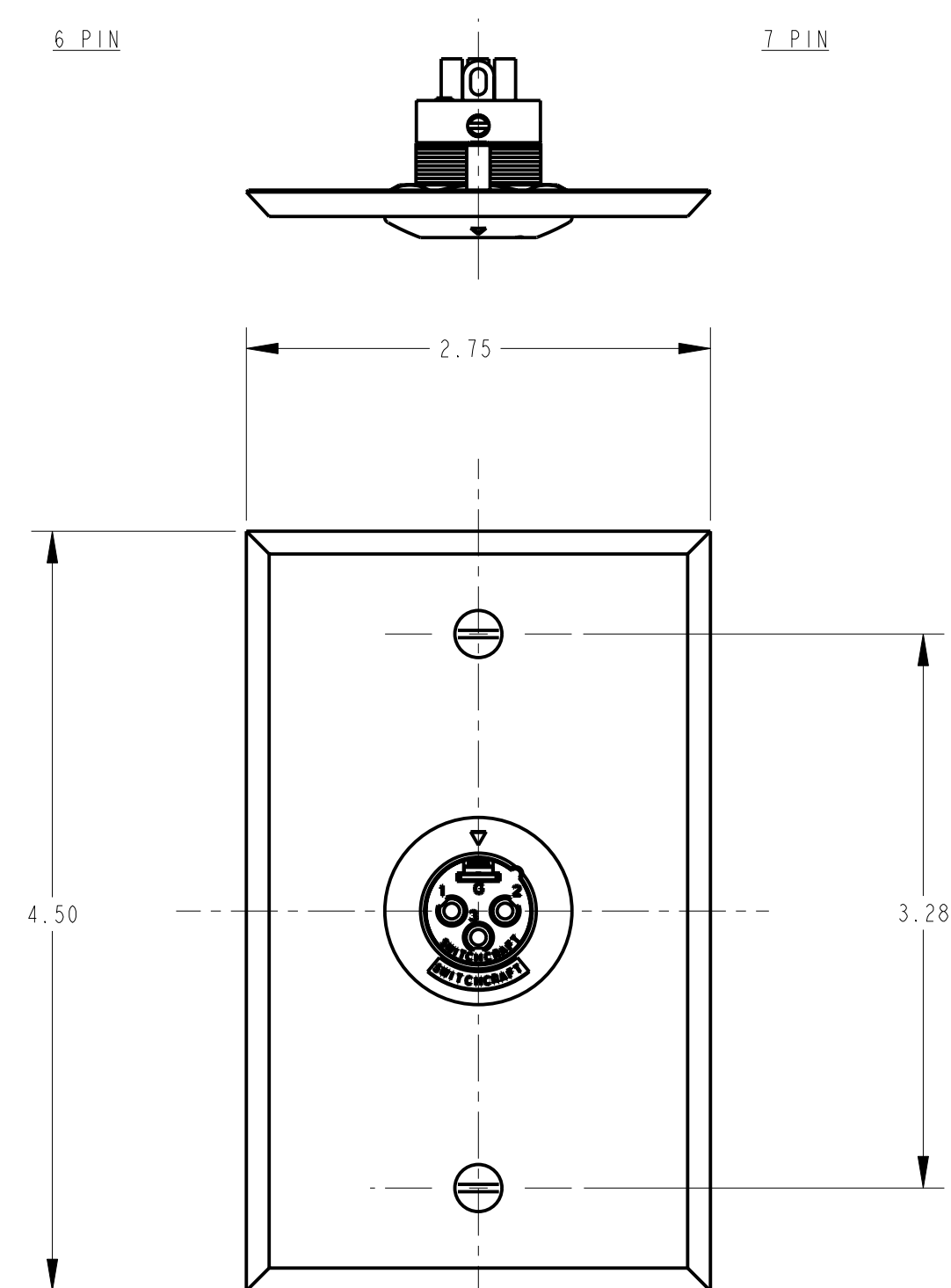
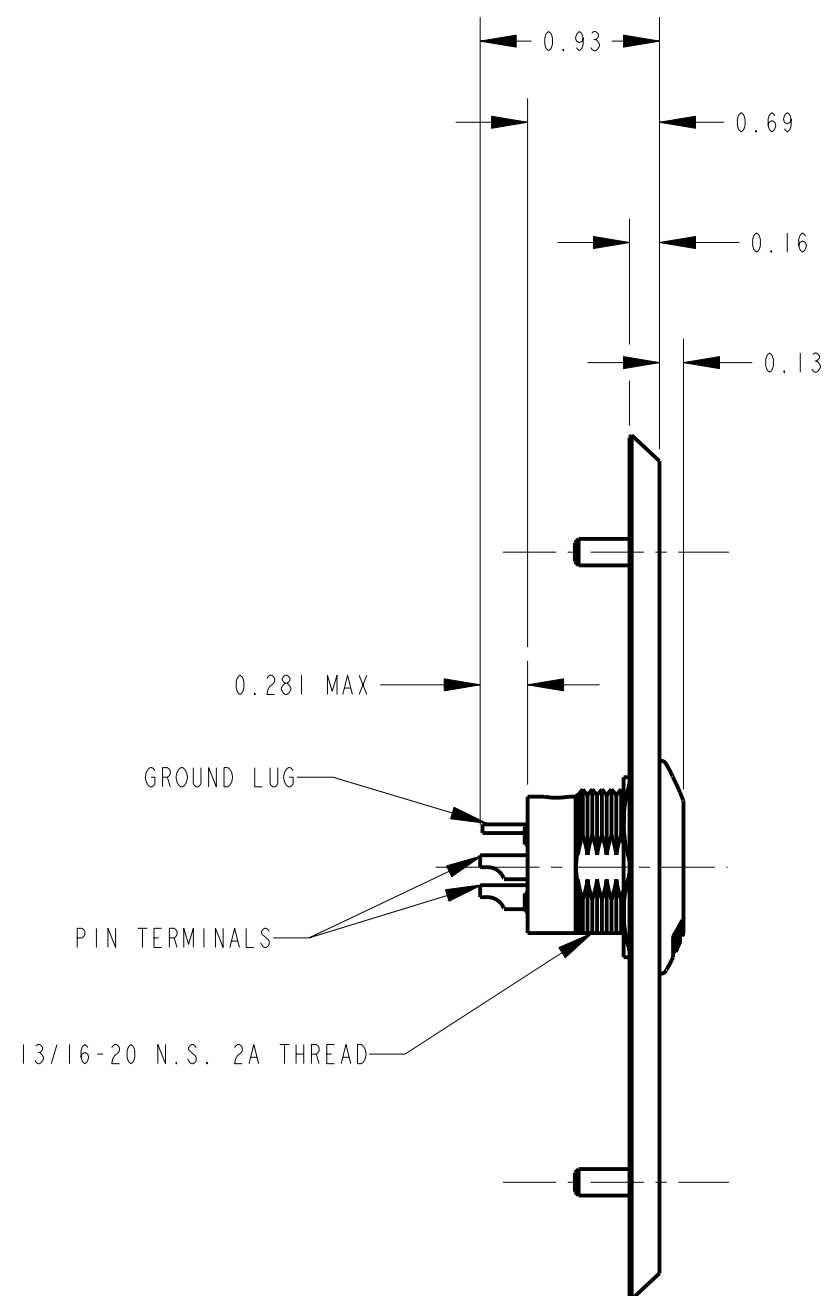
6 PIN



7 PIN

NOTES:

1. ALL DIMENSIONS REF. UNLESS OTHERWISE SPECIFIED.
2. MOUNTING SCREWS SHIPPED UNASSEMBLED.



STANDARD SERIES

- SCREW - STAINLESS STEEL
- MOUNTING SCREW - STAINLESS STEEL
- WALL PLATE - STAINLESS STEEL
- WASHER - STEEL, NICKEL PLATED
- NUT - BRASS, NICKEL PLATED
- HOUSING - ZINC, NICKEL PLATED
- SOLDER TERMINAL - BRASS, ELECTRO TIN PLATED
- INSULATOR - POLYESTER, GREEN (UL94V-0)
- CONTACT PIN - BRASS, SILVER PLATED

G - M S

NO. OF CONTACTS:

- 3 = 3 CONTACTS
- 4 = 4 CONTACTS
- 5 = 5 CONTACTS
- 6 = 6 CONTACTS
- 7 = 7 CONTACTS

CUSTOMER DRAWING

REV	ECO NUMBER	DATE	BY	APVD
G	23590	12-27-00	RJ	DK
F	ECO #21371	5-21-97	MM	JF
E	ECO #21070	2-3-97	MM	RB
D	ECO #21035	2-3-97	MM	RB
C	20627	2-2-96	SG	SG
B	ECO #19199	10-4-94	SG	GHJ
A	FIRST DRAWN	8-12-94	SG	GHJ

STAR SYMBOL DENOTES CRITICAL DIMENSION
UNLESS OTHERWISE SPECIFIED
1. ALL DIMENSIONS IN INCHES
- TWO PLACE DECIMALS ±0.01
- THREE PLACE DECIMALS ±0.005
- ANGLES ±1°
- ALL DIA. CONCENTRIC WITHIN 0.005 T.I.R.
2. FEATURES ON THE SAME CENTERLINE MUST BE ALIGNED WITHIN ±0.002
3. REMOVE ALL BURRS
DO NOT SCALE DRAWING

THIS DRAWING DESCRIBES A DESIGN CONSIDERED PROPRIETARY IN NATURE, DEVELOPED AND MANUFACTURED BY SWITCHCRAFT INC. AND IS RELEASED ON A CONFIDENTIAL BASIS FOR IDENTIFICATION PURPOSES ONLY.				
SIZE	WIDTH	MULT	LBS/M	TEMPER
FINISH		MATERIAL		
SPEC No.		SPEC No.		
FIRST USED ON		SCALE		
DATE DRAWN		BY	CHKD	APVD
12-Aug-94		SG	8-15-94	8-15-94
NAME		PART No.		
G SERIES MALE WALL MOUNT OG		G_M_S SERIES		
				REV
				G

Switchcraft®