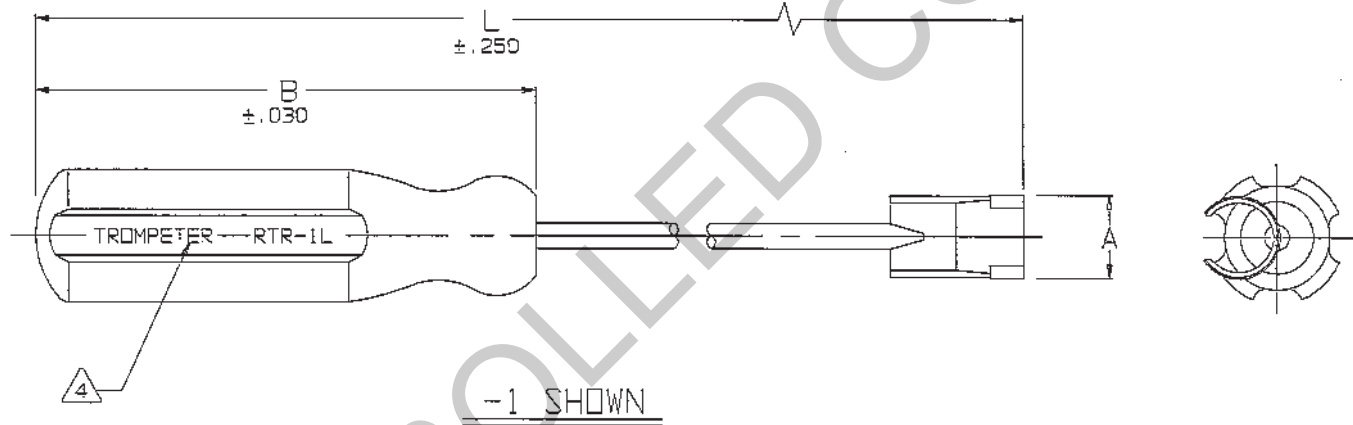


DISK # DWG SIZE DATA CONTAINED IN THIS DOCUMENT IS PROPRIETARY TO TROMPETER ELECTRONICS INC. AND SHALL NOT BE DISCLOSED, COPIED OR USED FOR PROCUREMENT OR MANUFACTURE WITHOUT EXPRESS WRITTEN PERMISSION.

REV		DESCRIPTION	DATE	APPROVED
A		REVISED PER ECO 16187	6-28-06	MCI/TYEE

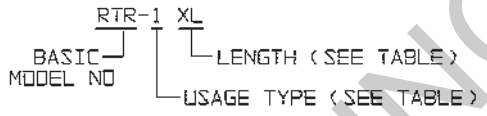
010-0072 SH 1

DASH NO	MODEL NO	USAGE	L DIM	A DIM	B DIM
-1	RTR-1L		12.000		
-2	RTR-1S	BNC/TNC	6.000	.625	3.750
-3	RTR-1XL		22.000		



4 MARKING MAY BE AS SHOWN OR INVERTED

3. EXAMPLE OF COMPLETE MODEL NO:



2. COLLET AND SHAFT CRES STEEL

1. HANDLE TRANSLUCENT AMBER CELLULOSE ACETATE

QTY	DESCRIPTION		PART NUMBER	ITEM
TOL UNLESS SPECIFIED			 INSTALLATION/ REMOVAL TOOL FOR RIGHT ANGLE BNC/TNC PLUGS	
.XX ±				
.XXX ± .010				
.XXXX ±				
ANGLES ±				
DWN	L.M.	6-23-06	MATERIAL	CODE IDENT
CHK	CJD	6/28/06		14949
ENGR				
APPR	Jm	6/28/06	SCALE 1/1	DATE 6-6-91
NEXT ASSY	APP		DATE 6-6-91	SHEET 1C

UNCONTROLLED COPY