

4

3

2

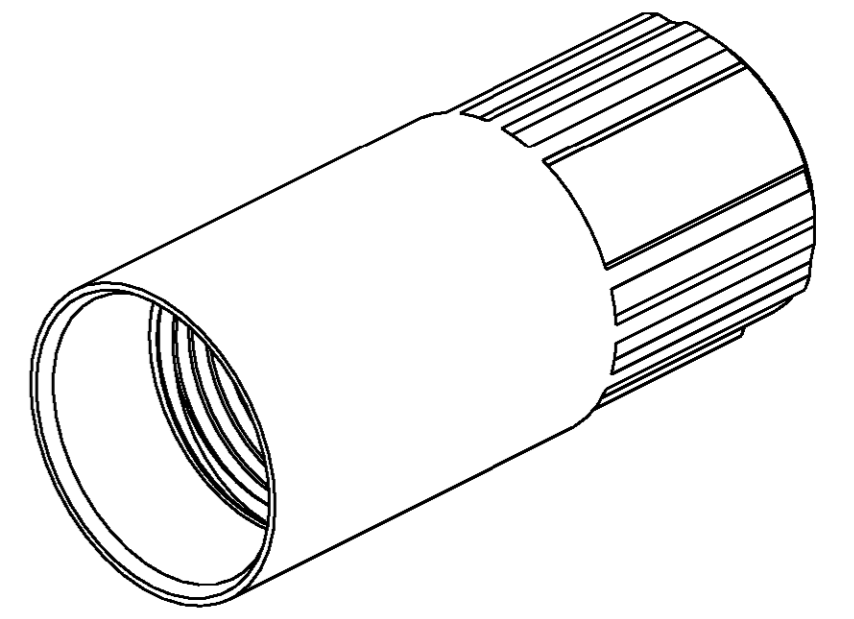
1

THIS DRAWING IS UNPUBLISHED. RELEASED FOR PUBLICATION 20

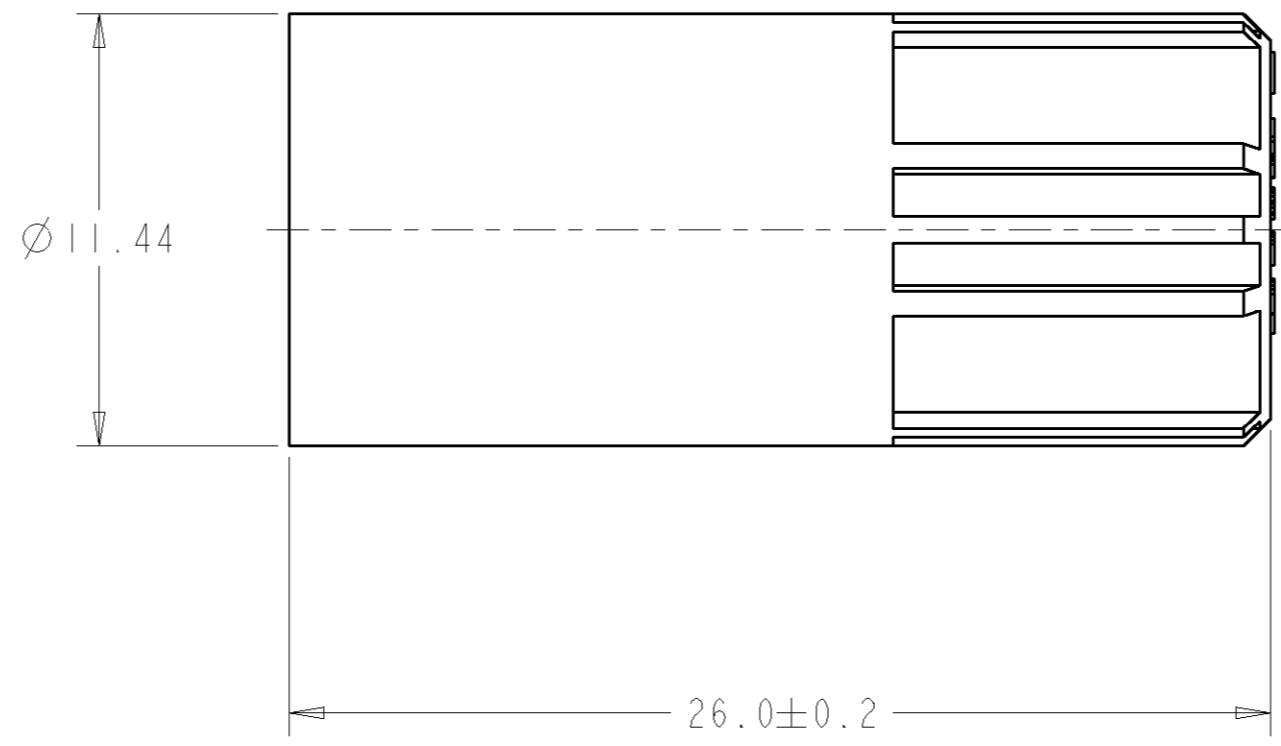
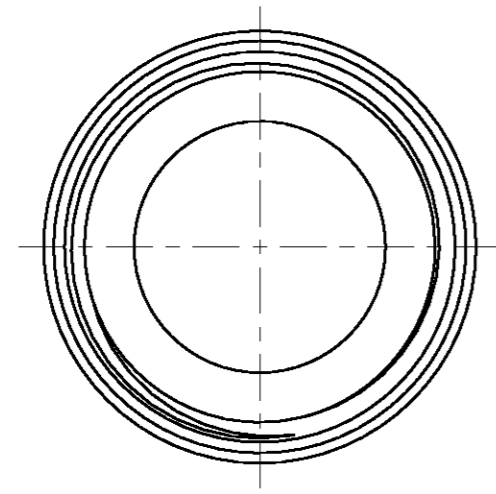
© COPYRIGHT 20 BY TYCO ELECTRONICS CORPORATION. ALL RIGHTS RESERVED.

LOC	DIST	REVISIONS					
		P	LTR	DESCRIPTION	DATE	DWN	APVD
AD	00		A	ECO-07-01031	14MAY2007	RB	DR

⚠ MATERIAL: THERMOPLASTIC, COLOR: SEE TABLE



SCALE 4:1



BLACK	1877841-7
GRAY	1877841-6
BLUE	1877841-5
GREEN	1877841-4
YELLOW	1877841-3
WHITE	1877841-2
RED	1877841-1
COLOR	PART NO.

THIS DRAWING IS A CONTROLLED DOCUMENT FOR TYCO ELECTRONICS CORPORATION. IT IS SUBJECT TO CHANGE AND THE CONTROLLING ENGINEERING ORGANIZATION SHOULD BE CONTACTED FOR THE LATEST REVISION.		DWN	07DEC2006	Tyco Electronics Harrisburg, PA 17105-3608	
DIMENSIONS:		CHK	14DEC2006	NAME	
mm	TOLERANCES UNLESS OTHERWISE SPECIFIED:	APVD	-	COLLET, BACK-NUT	
	0 PLC ±	PRODUCT SPEC	-	SIZE	CAGE CODE
	1 PLC ±0.13	APPLICATION SPEC	-	A2	00779
	2 PLC ±0.08	WEIGHT	-	DRAWING NO	1877841
	3 PLC ±	CUSTOMER DRAWING	-	RESTRICTED TO	-
	4 PLC ±			SCALE	5:1
	ANGLES ±°			SHEET	1
	FINISH			OF	1
MATERIAL	⚠ -			REV	A