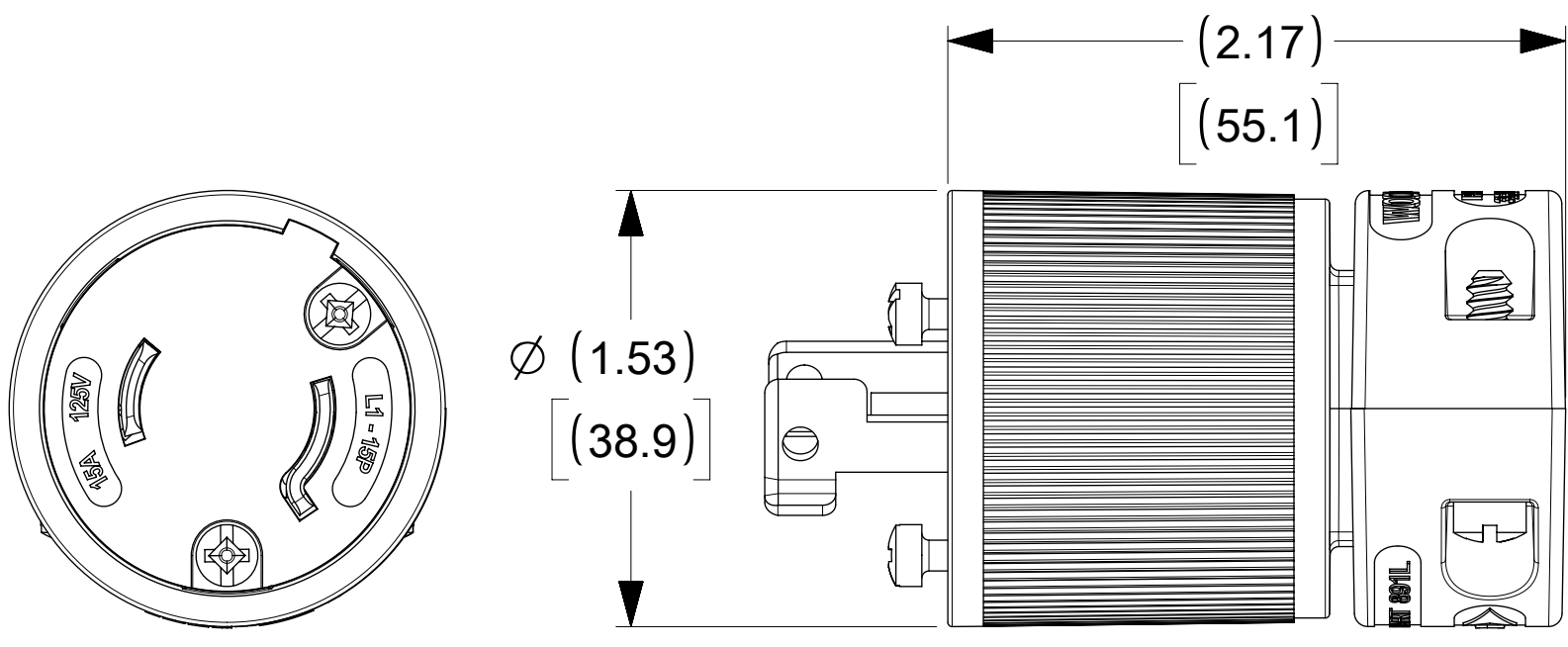
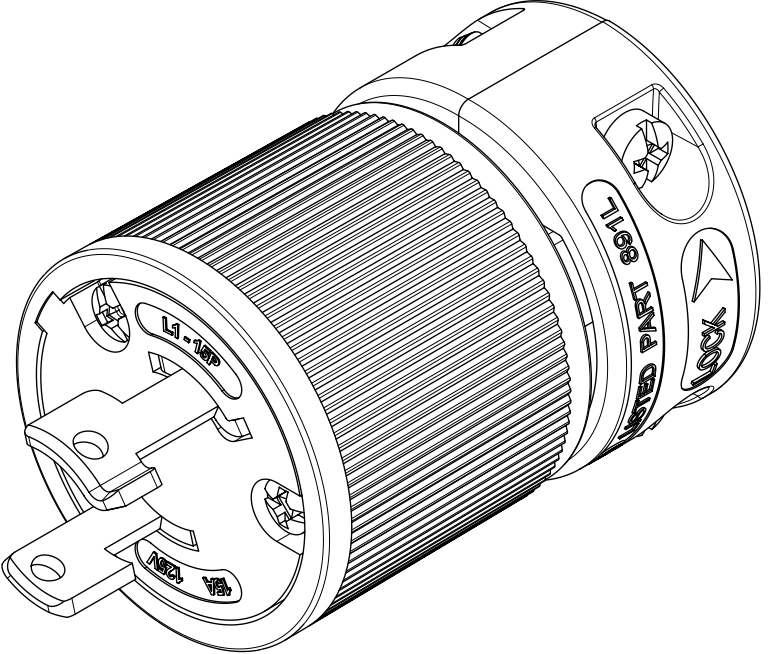
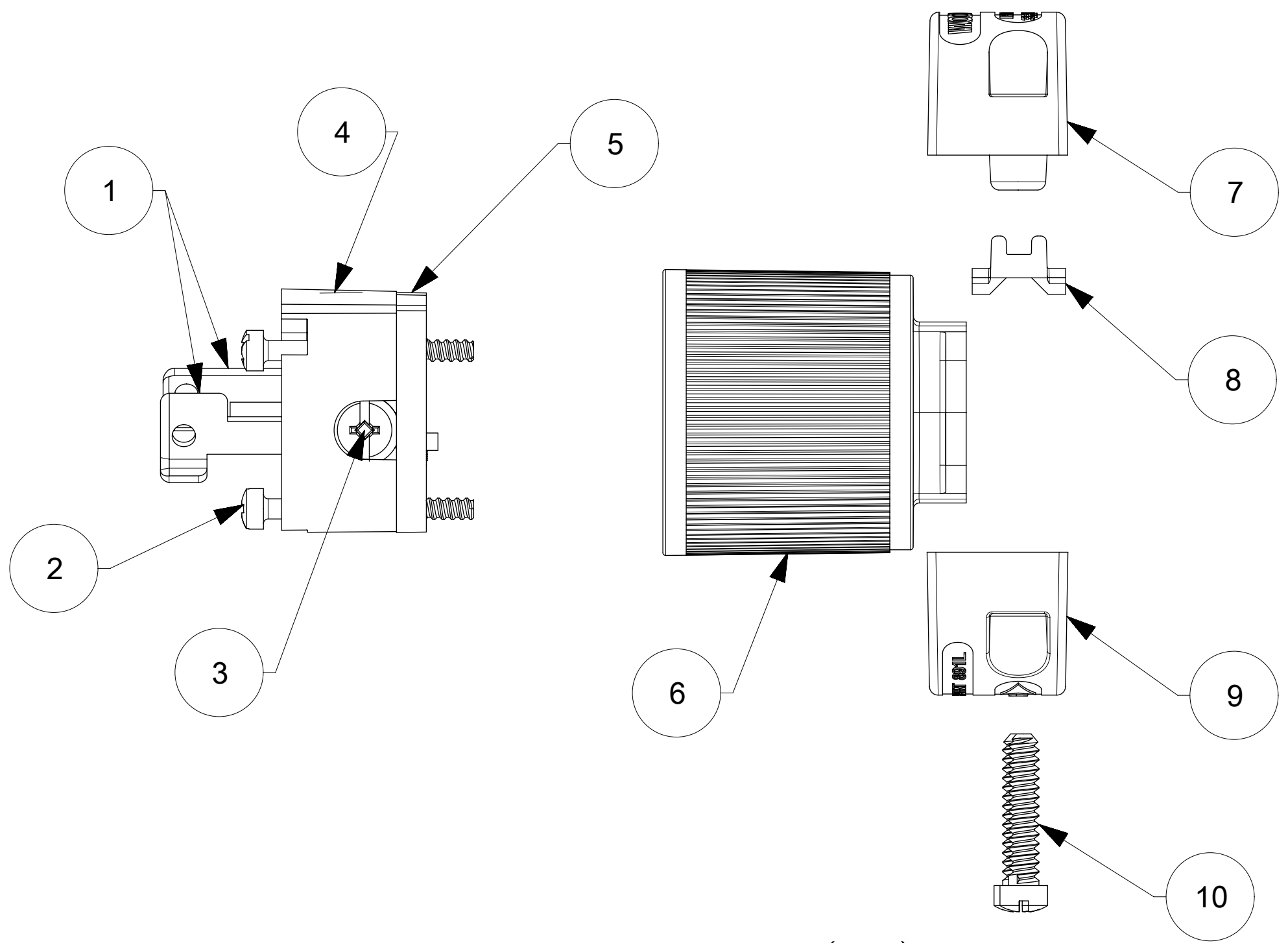
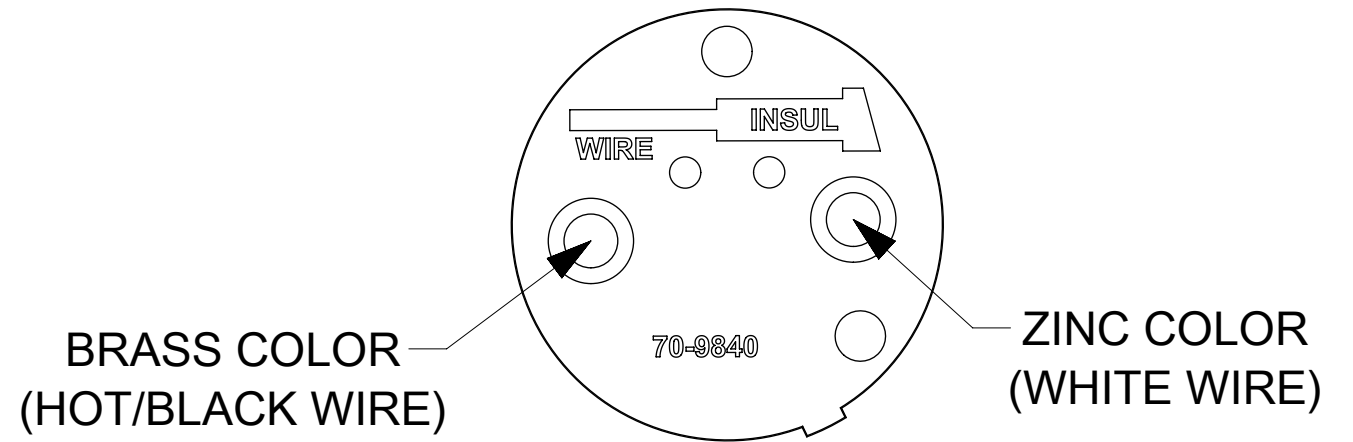


ORDER NO.	WOODHEAD NO.	COLOR
130144-0017	24T04	BLACK



WIRING TERMINATION



FACE VIEW

ITEM NO.	DESCRIPTIONS	MATERIAL	QTY.
1	BLADES	BRASS	2
2	RETAINING SCREWS	STAINLESS STEEL	2
3	TERMINAL SCREWS/CLAMP ASSEMBLY	BRASS, ZINC PLATED	2
4	INSERT	NYLON	1
5	TERMINAL COVER	POLYCARBONATE	1
6	HOUSING	NYLON	1
7	CLAMP CORD MALE	NYLON	1
8	CLAMP CORD INSERT	NYLON	1
9	CLAMP CORD FEMALE	NYLON	1
10	RETAINING SCREWS	STEEL, ZINC PLATED	2

SYMBOLS DIMENSION UNITS: INCH[MM] SCALE: NTS GENERAL TOLERANCES (UNLESS SPECIFIED): 4 PLACES ± 3 PLACES ± 2 PLACES ± 1 PLACE ± 0 PLACES ± ANGULAR TOL ± ° DRAFT WHERE APPLICABLE MUST REMAIN WITHIN DIMENSIONS		THIS DRAWING CONTAINS INFORMATION THAT IS PROPRIETARY TO MOLEX ELECTRONIC TECHNOLOGIES, LLC AND SHOULD NOT BE USED WITHOUT WRITTEN PERMISSION CURRENT REV DESC: NEW RELEASE EC NO: 621489 DRWN: VBASUTHKARP 2019/02/21 CHK'D: DNGUYEN62 2019/12/02 APPR: HKNEELAND 2020/01/13 INITIAL REVISION: DRWN: VBASUTHKARP 2019/02/21 APPR: HKNEELAND 2020/01/13 THIRD ANGLE PROJECTION DRAWING SERIES: C-SIZE 130144			
DOCUMENT STATUS: P1 RELEASE DATE: 2020/01/13 22:31:13		SAFEWAY PLUG TURNEX 2P2W L1-15 PRODUCT CUSTOMER DRAWING DOCUMENT NUMBER: 1301440017 DOC TYPE: PSD DOC PART: 000 REVISION: A		MATERIAL NUMBER: SEE TABLE CUSTOMER: GENERAL MARKET SHEET NUMBER: 1 OF 1	