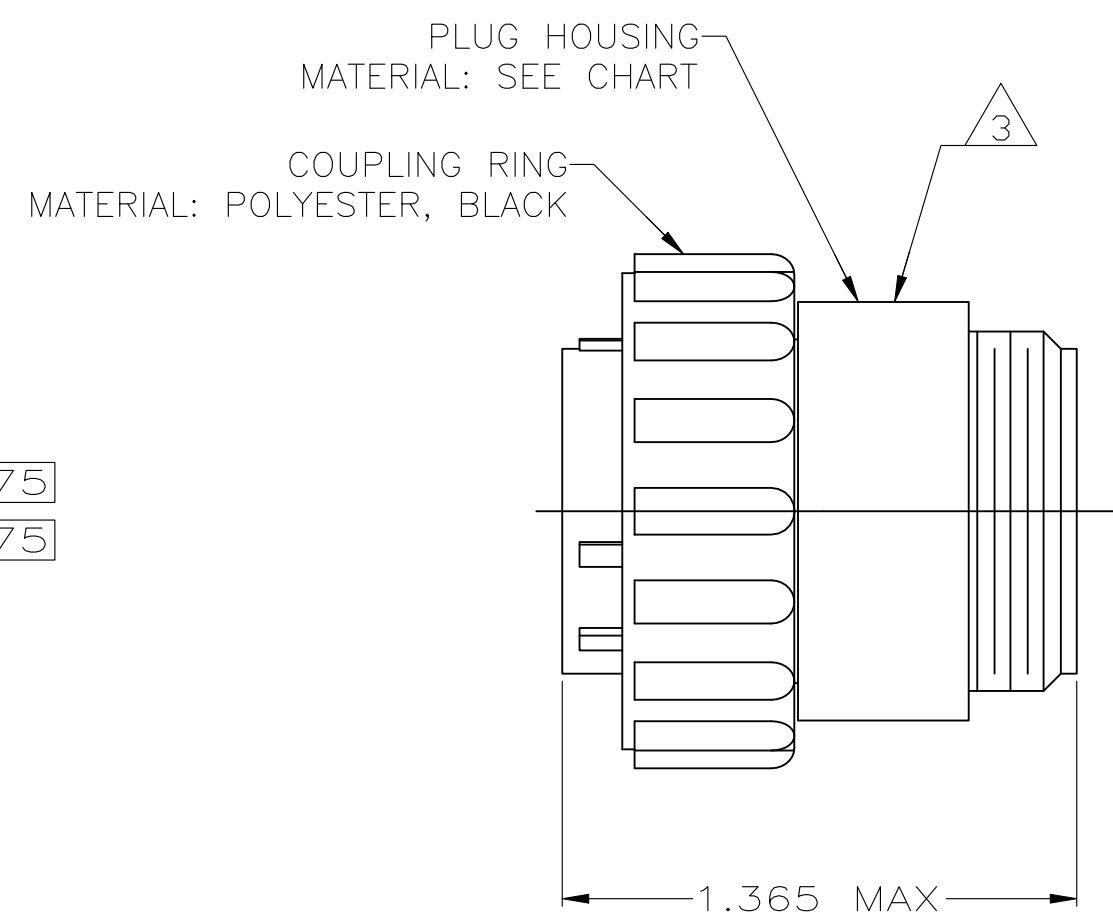
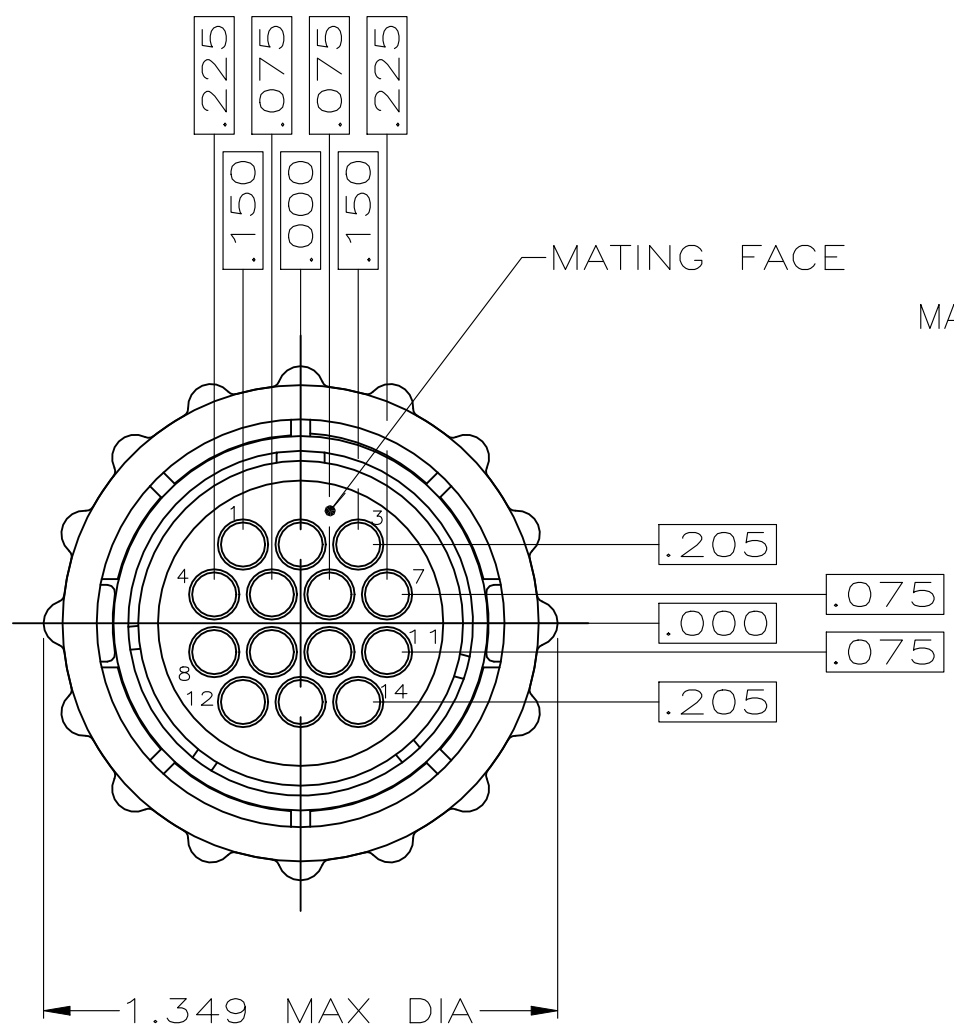


REVISIONS				
P	LTR	DESCRIPTION	DATE	APVD
	H1	REVISED PER ECN-23-199892	01MAR2023	RK MZ



POLYESTER, BLACK	206044-4
PA66, BLACK	206044-1
PLUG HOUSING MATERIAL	PART NUMBER

- CONTACT CAVITIES IDENTIFIED BY CHARACTERS ON FRONT AND REAR FACE OF CONNECTOR.
- WILL ACCEPT (14) MULTIMATE PIN CONTACTS.
- TE LOGO AND PART NUMBER 206044-1 LOCATED ANYWHERE ON THIS SURFACE

THIS DRAWING IS A CONTROLLED DOCUMENT.		DWN S.RIDGLEY 7/31/90 BG	TE Connectivity													
DIMENSIONS: INCHES		CHK R.STONE 04/26/91														
TOLERANCES UNLESS OTHERWISE SPECIFIED:		APVD K.BEAVER 04/30/91	NAME PLUG ASSEMBLY, SHELL SIZE 17, REVERSE SEX, CPC													
<table border="1"> <tr><td>0 PLC</td><td>± -</td></tr> <tr><td>1 PLC</td><td>± -</td></tr> <tr><td>2 PLC</td><td>± -</td></tr> <tr><td>3 PLC</td><td>± -</td></tr> <tr><td>4 PLC</td><td>± -</td></tr> <tr><td>ANGLES</td><td>± -</td></tr> </table>		0 PLC	± -	1 PLC	± -	2 PLC	± -	3 PLC	± -	4 PLC	± -	ANGLES	± -	PRODUCT SPEC -	SIZE A3	
0 PLC	± -															
1 PLC	± -															
2 PLC	± -															
3 PLC	± -															
4 PLC	± -															
ANGLES	± -															
MATERIAL SEE CALLOUTS		APPLICATION SPEC -	CAGE CODE 00779	DRAWING NO C-206044												
FINISH -		WEIGHT -	RESTRICTED TO -													
		CUSTOMER DRAWING		SCALE 2:1												
				SHEET 1 OF 1												
				REV H1												