

RC-09S2N12M0X7 - Coupler connector



1610606

<https://www.phoenixcontact.com/us/products/1610606>

Please be informed that the data shown in this PDF document is generated from our online catalog. Please find the complete data in the user documentation. Our general terms of use for downloads are valid.



M23, Coupler connector, series: RC, straight plastic-sheathed, shielded: yes, Screw locking mechanism, No. of pos.: 8+1, Direction of rotation: Counter direction, contact connection type: Socket, Solder cup, cable diameter range: 4.5 mm ... 5.5 mm, coding: N

Commercial data

Item number	1610606
Packing unit	1 pc
Minimum order quantity	20 pc
Note	Made to order (non-returnable)
Sales key	AB31
Product key	ABRAFG
GTIN	4046356392327
Weight per piece (including packing)	47.49 g
Weight per piece (excluding packing)	47.49 g
Customs tariff number	85366990
Country of origin	DE

RC-09S2N12M0X7 - Coupler connector



1610606

<https://www.phoenixcontact.com/us/products/1610606>

Technical data

Product properties

Product type	Circular connector (cable-side)
--------------	---------------------------------

Connector

Insulating body

Coding	N
Insertion/withdrawal cycles	50
Connection method	Solder cup
Contact switching type	Socket
Application	Signal
Number of positions	9
Direction of rotation	Counter direction
Connection profile	8+1
Contact diameter Power contacts	2 mm
Litz wire cross-section Power contacts min.	0.08 mm ²
Litz wire cross-section Power contacts max.	2.5 mm ²
Rated current Power contacts	20 A
Rated voltage	48 V AC 74 V DC
Rated surge voltage	1.5 kV
Overvoltage category	III
Degree of pollution	3
Contact diameter Signal contacts	1 mm
Litz wire cross-section Signal contacts min.	0.08 mm ²
Litz wire cross-section Signal contacts max.	1 mm ²
Nominal current per signal contact	8 A

Housing

Housing material	Metal
Type of locking	Screw locking mechanism
Pg screw connection	none
Degree of protection (plugged in)	IP67
Thread type	M23

Seal

External cable diameter	4.5 mm ... 5.5 mm
-------------------------	-------------------

RC-09S2N12M0X7 - Coupler connector

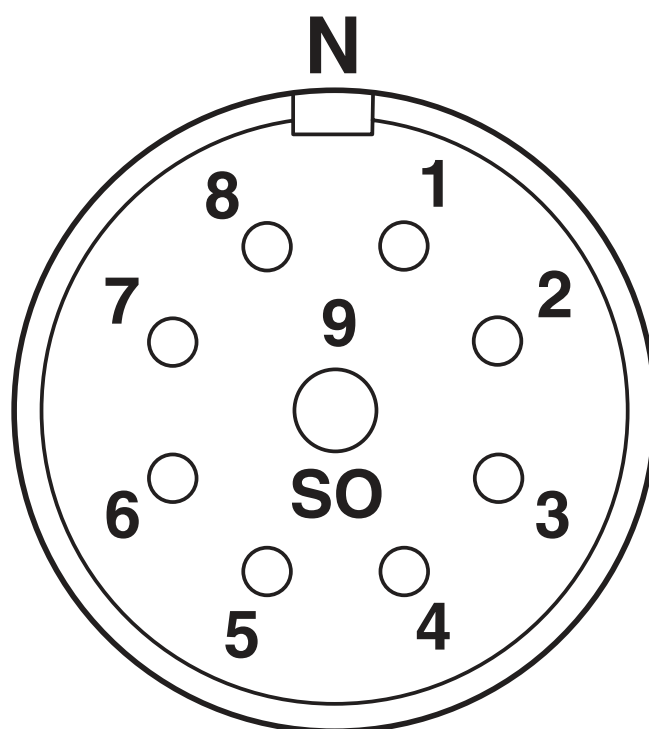


1610606

<https://www.phoenixcontact.com/us/products/1610606>

Drawings

Schematic diagram



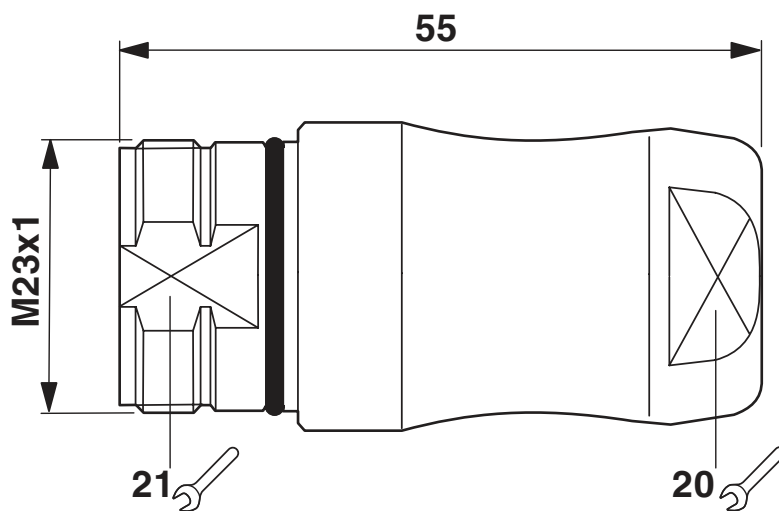
RC-09S2N12M0X7 - Coupler connector

1610606

<https://www.phoenixcontact.com/us/products/1610606>



Dimensional drawing



RC-09S2N12M0X7 - Coupler connector



1610606

<https://www.phoenixcontact.com/us/products/1610606>

Classifications

ECLASS

ECLASS-11.0	27440102
ECLASS-12.0	27440116
ECLASS-13.0	27440116

ETIM

ETIM 8.0	EC002635
----------	----------

UNSPSC

UNSPSC 21.0	39121400
-------------	----------

RC-09S2N12M0X7 - Coupler connector



1610606

<https://www.phoenixcontact.com/us/products/1610606>

Environmental product compliance

REACH SVHC	Lead 7439-92-1
China RoHS	Environmentally Friendly Use Period = 50 years
	For information on hazardous substances, refer to the manufacturer's declaration available under "Downloads"

Phoenix Contact 2023 © - all rights reserved

<https://www.phoenixcontact.com>

Phoenix Contact USA
586 Fulling Mill Road
Middletown, PA 17057, United States
(+717) 944-1300
info@phoenixcon.com