

PCB terminal block - FFKDSA1/H-2,54- 5 - 1700198

Please be informed that the data shown in this PDF Document is generated from our Online Catalog. Please find the complete data in the user's documentation. Our General Terms of Use for Downloads are valid (<http://phoenixcontact.com/download>)



PCB terminal block, Nominal current: 6 A, Nom. voltage: 160 V, Pitch: 2.54 mm, Number of positions: 5, Connection method: Push-in spring connection, Mounting: Wave soldering, Conductor/PCB connection direction: 0 °, Color: green

The figure shows a 10-position version

Why buy this product

- ✓ PCB terminal blocks with front spring-cage connection
- ✓ Two solder pins for a high level of stability on the PCB
- ✓ Push-in direct plug-in technology for solid or stranded conductors with ferrules
- ✓ When connecting stranded conductors without ferrules, the terminal point is opened using an orange opening lever



Key Commercial Data

Packing unit	1 STK
Minimum order quantity	50 STK
Custom tariff number	85369010
Country of origin	Germany

Technical data

Environmental Product Compliance

China RoHS	No hazardous substances above threshold values
------------	--

Dimensions

Length	13.6 mm
Pitch	2.54 mm
Dimension a	10.16 mm
Width	15.2 mm
Constructional height	12.6 mm

PCB terminal block - FFKDSA1/H-2,54- 5 - 1700198

Technical data

Dimensions

Height	16.2 mm
Length of the solder pin	3.6 mm
Pin dimensions	0,5 x 0,8
Pin spacing	5.08 mm
Hole diameter	1.1 mm

General

Range of articles	FFKDS(A)/H
Rated surge voltage (III/3)	2.5 kV
Rated surge voltage (III/2)	2.5 kV
Rated surge voltage (II/2)	2.5 kV
Rated voltage (III/3)	63 V
Rated voltage (III/2)	160 V
Rated voltage (II/2)	320 V
Connection in acc. with standard	EN-VDE
Nominal current I_N	6 A
Nominal cross section	0.5 mm ²
Solder pin surface	Sn
Stripping length	11 mm
Number of positions	5

Connection data

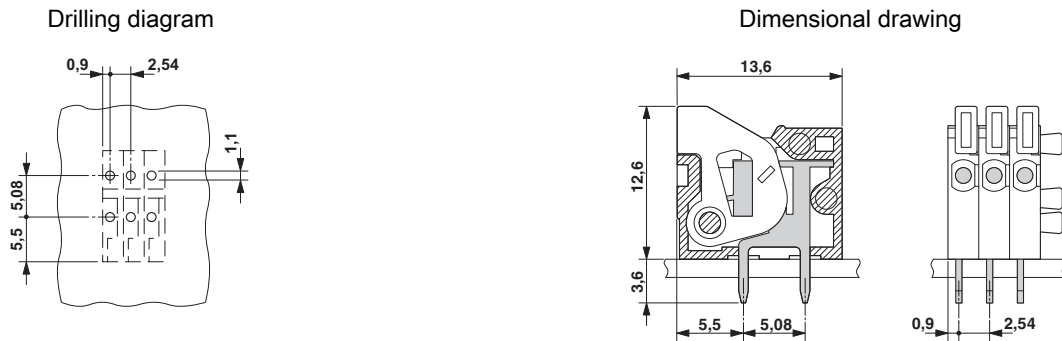
Conductor cross section AWG min.	26
Conductor cross section AWG max.	20

Standards and Regulations

Connection in acc. with standard	EN-VDE
	CSA

Drawings

PCB terminal block - FFKDSA1/H-2,54- 5 - 1700198



Classifications

eCl@ss

eCl@ss 4.0	27141109
eCl@ss 4.1	27141109
eCl@ss 5.0	27141190
eCl@ss 5.1	27141190
eCl@ss 6.0	27261101
eCl@ss 7.0	27440401
eCl@ss 8.0	27440401
eCl@ss 9.0	27440401

ETIM

ETIM 3.0	EC001121
ETIM 4.0	EC002643
ETIM 5.0	EC002643

UNSPSC

UNSPSC 6.01	30211801
UNSPSC 7.0901	39121432
UNSPSC 11	39121432
UNSPSC 12.01	39121432
UNSPSC 13.2	39121432

Approvals

Approvals

Approvals

CSA / UL Recognized / cUL Recognized / EAC / cULus Recognized

PCB terminal block - FFKDSA1/H-2,54- 5 - 1700198

Approvals

Ex Approvals

Approval details

CSA http://www.csagroup.org/us/en/services/testing-and-certification/certified-product-listing-13631	
	B
mm ² /AWG/kcmil	20
Nominal current IN	6 A
Nominal voltage UN	150 V

UL Recognized http://database.ul.com/cgi-bin/XYV/template/LISEXT/1FRAME/index.htm FILE E 60425	
	B
mm ² /AWG/kcmil	26-20
Nominal current IN	6 A
Nominal voltage UN	150 V

cUL Recognized http://database.ul.com/cgi-bin/XYV/template/LISEXT/1FRAME/index.htm FILE E 60425	
	B
mm ² /AWG/kcmil	26-20
Nominal current IN	6 A
Nominal voltage UN	150 V

EAC B.01742

cULus Recognized http://database.ul.com/cgi-bin/XYV/template/LISEXT/1FRAME/index.htm
--

Accessories

Accessories

Connector

PCB terminal block - FFKDSA1/H-2,54- 5 - 1700198

Accessories

Ferrule - AI 0,25-10 YE - 3241128



Ferrule, Sleeve length: 10 mm, Length: 14.5 mm, Color: yellow

Labeled terminal marker

Marker card - SK 2,54/2,8:FORTL.ZAHLEN - 0804853



Marker card, Card, white, labeled, Horizontal: Consecutive numbers 1 - 10, 11 - 20, etc. up to 91 - 99, Mounting type: Adhesive, for terminal block width: 2.54 mm, Lettering field: 2.54 x 2.8 mm