

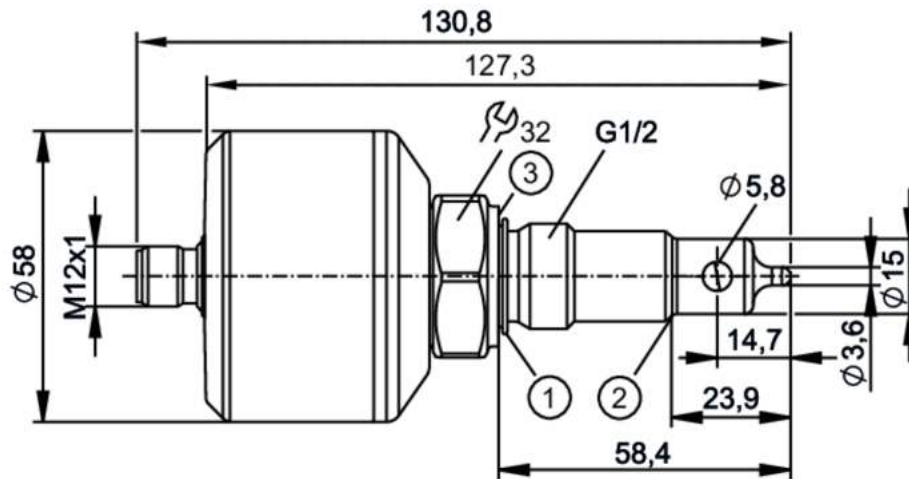
# LDL220



## Inductive conductivity sensor

IND CONDUCTIVITY HYG G1/2 SC

Digital meets analog: integrating modern IO-Link sensors the analog way. The EIO104 allows you to realize two analog signals from intelligent IO-Link sensors with several process values.



- 1 Gasket FKM (for sealing on the back - not pressure resistant) / removable
- 2 Sealing edge Note: The unit must only be installed in a process connection for G1/2 sealing cone.
- 3 groove for sealing ring DIN 3869-21



EC 1935/2004 EHEDG Certified FCM FDA IO-Link UK CA

### Product characteristics

Number of inputs and outputs	Number of analog outputs: 1
Process connection	threaded connection G 1/2 external thread sealing cone

### Application

System	gold-plated contacts
Media	Conductive liquids
Note on media	water milk CIP liquids
Cannot be used for	See the operating instructions, chapter "Function and features".
Medium temperature [°C]	-25...100; (< 1 h: 150)
Pressure rating [bar]	16
Vacuum resistance [mbar]	-1000

### Electrical data

Operating voltage [V]	18...30 DC
Current consumption [mA]	< 100
Protection class	III
Reverse polarity protection	yes
Power-on delay time [s]	2
Measuring principle	induktiv

### Inputs / outputs

Number of inputs and outputs	Number of analog outputs: 1
------------------------------	-----------------------------

### Outputs

Total number of outputs	1
-------------------------	---

# LDL220



## Inductive conductivity sensor

IND CONDUCTIVITY HYG G1/2 SC

Output signal	analog signal; IO-Link
Output function	analog output; scalable; selectable conductivity / temperature
Number of analog outputs	1
Analog current output [mA]	4...20
Max. load [ $\Omega$ ]	500

### Measuring/setting range

Conductivity measurement	
Measuring range [ $\mu\text{S}/\text{cm}$ ]	100...1000000
Temperature measurement	
Measuring range [ $^{\circ}\text{C}$ ]	-25...150

### Accuracy / deviations

Conductivity measurement	
Accuracy (in the measuring range)	2 % MW $\pm$ 25 $\mu\text{S}/\text{cm}$
Resolution [ $\mu\text{S}/\text{cm}$ ]	1 (0...10000)
	10 (10000...100000)
	100 (100000...1000000)
Drift [%/K]	0,05 %/K MW
Repeatability	1 % MW $\pm$ 25 $\mu\text{S}/\text{cm}$
Long-term stability	1 % MW $\pm$ 25 $\mu\text{S}/\text{cm}$
Temperature measurement	
Accuracy [K]	20...50 $^{\circ}\text{C}$ : $< \pm 0,2$ K; -25...150 $^{\circ}\text{C}$ : $< \pm 1,5$ K
Repeatability [K]	0,2
Resolution [K]	0.1

### Reaction times

Conductivity measurement	
Response time [s]	$< 2$ ; (T09; Damping = 0)
Temperature measurement	
Response time [s]	$< 40$ ; (T09)

### Interfaces

Communication interface	IO-Link	
Transmission type	COM2 (38,4 kBaud)	
IO-Link revision	1.1	
SDCI standard	IEC 61131-9	
Profiles	Measuring Sensor, Identification and Diagnosis	
SIO mode	no	
Required master port class	A	
Process data analog	1	
Min. process cycle time [ms]	5.6	
Supported DeviceIDs	Type of operation	DeviceID
	default	922

### Operating conditions

Ambient temperature [ $^{\circ}\text{C}$ ]	-40...60
--	----------

# LDL220



## Inductive conductivity sensor

IND CONDUCTIVITY HYG G1/2 SC

Storage temperature [°C]	-40...85
Protection	IP 68; IP 69K; (7 days / 3 m water depth / 0.3 bar: IP 68)

### Tests / approvals

EMC	DIN EN 61000-6-2	
	DIN EN 61000-6-3	
Shock resistance	DIN EN 60068-2-27	50 g (11 ms)
Vibration resistance	DIN EN 60068-2-6	20 g (10...2000 Hz)
MTTF [years]		131

### Mechanical data

Weight [g]	606.2
Material	stainless steel (1.4404 / 316L); PEEK; PEI; FKM
Materials (wetted parts)	PEEK
Process connection	threaded connection G 1/2 external thread sealing cone

### Remarks

Remarks	Note: The unit must only be installed in a process connection for G1/2 sealing cone. MW = Measured value
Notes	Digital meets analog: integrating modern IO-Link sensors the analog way. The EIO104 allows you to realize two analog signals from intelligent IO-Link sensors with several process values.
Pack quantity	1 pcs.

### Electrical connection

Connector: 1 x M12 (EN 61067-2-101); coding: A; Contacts: gold-plated



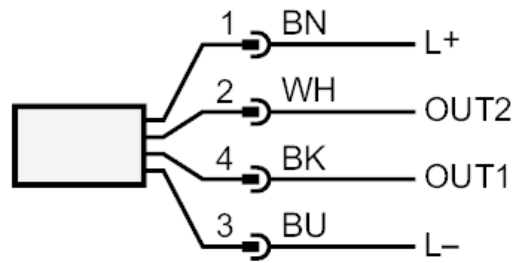
# LDL220



## Inductive conductivity sensor

IND CONDUCTIVITY HYG G1/2 SC

### Connection



OUT1            IO-Link  
OUT2            analog output  
                  Colors to DIN EN 60947-5-2  
                  Core colors :  
BK =            black  
BN =            brown  
BU =            blue  
WH =            white