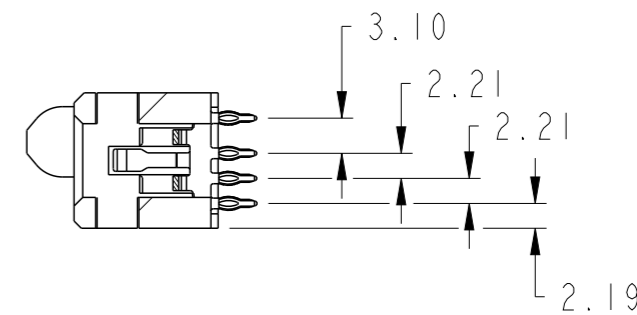
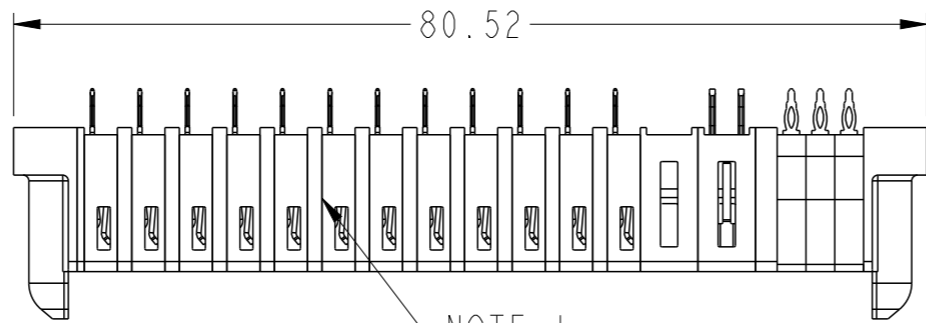
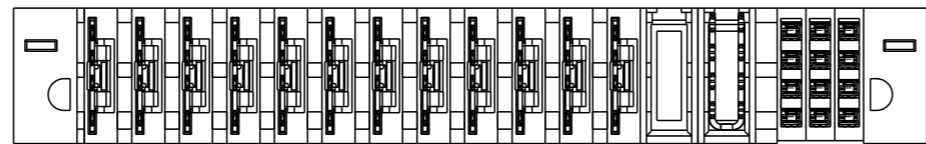
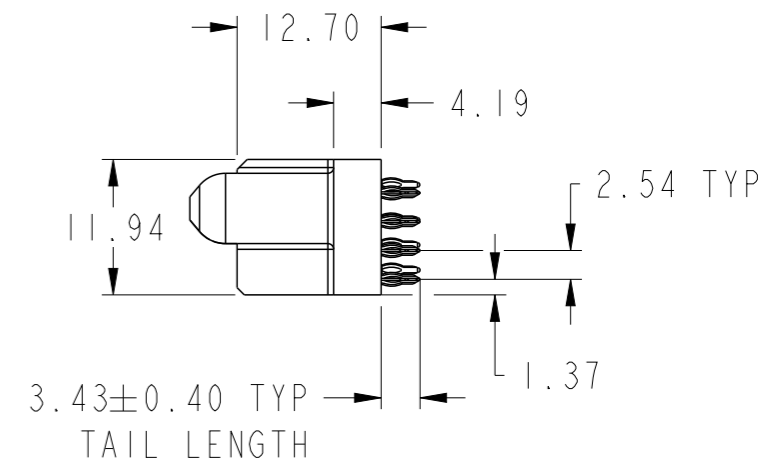
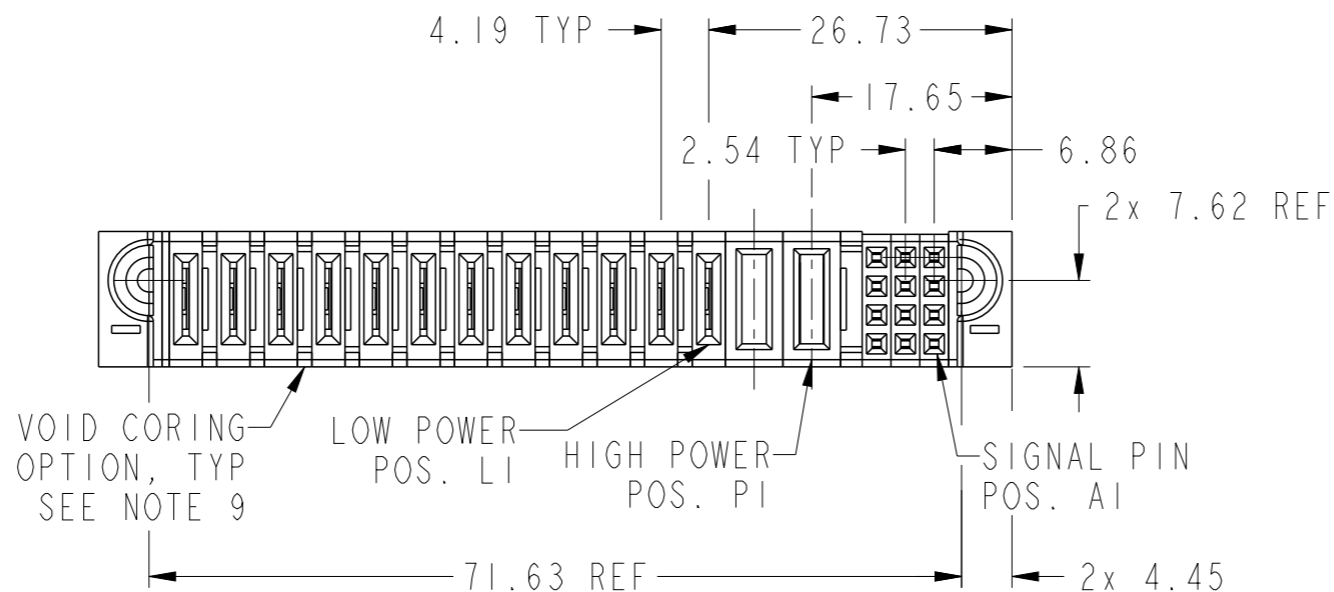


PRODUCT NUMBER SEE SHEET 2



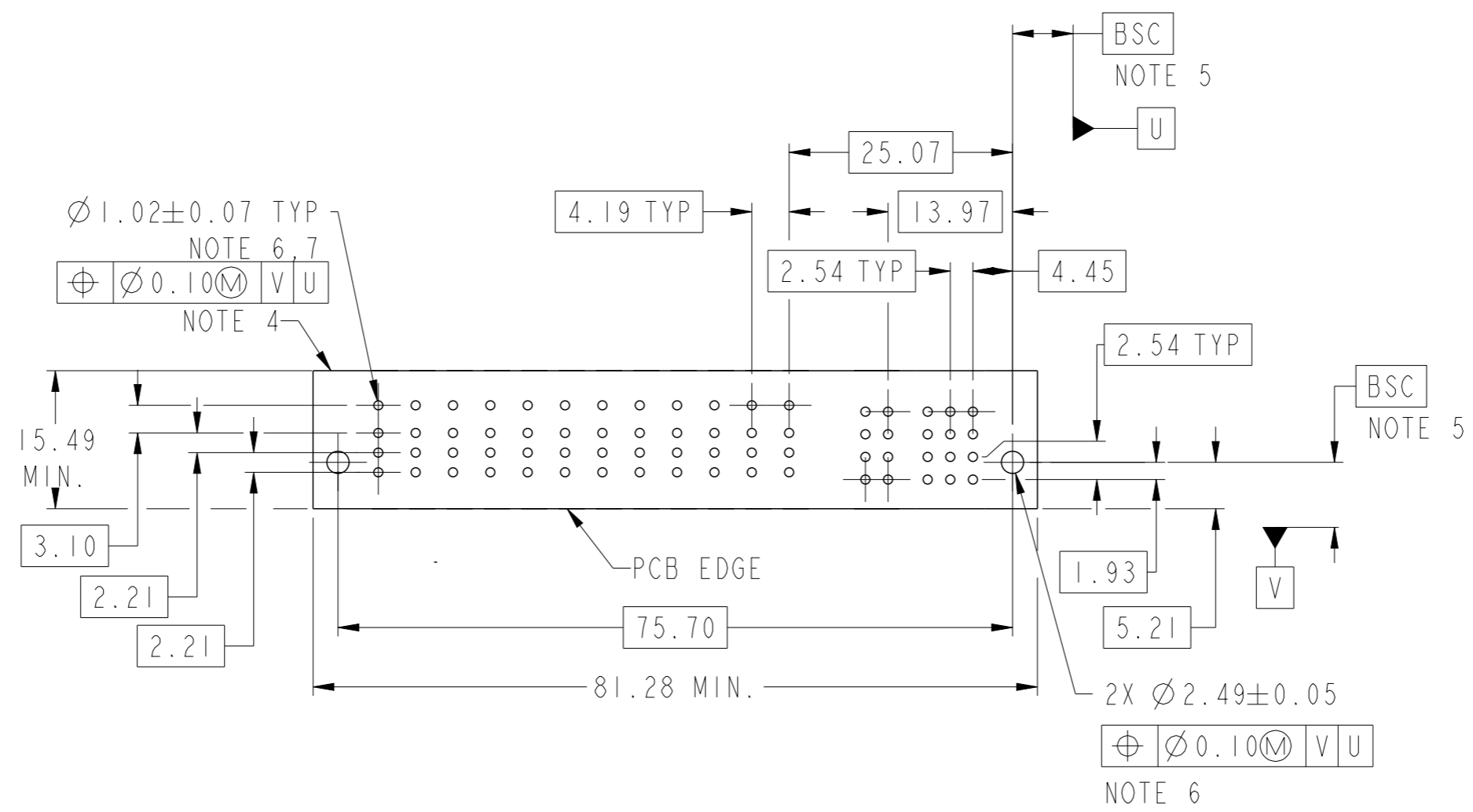
SECTION Z-Z



spec ref		dr	Rainbow Zhan	2015/11/12	projection	MM	size	A3	scale	3:2		
tolerance std ASME Y14.5		eng	Rainbow Zhan	2015/12/25			ecn no	-				
TOLERANCES UNLESS OTHERWISE SPECIFIED		chr	Fancy Zhang	2015/12/25	product family	PowerBlade+	rel level		Released			
		appr	Pei-Ming Zheng	2015/12/25			rev		A			
surface	linear	0.X	±0.50	 www.fci.com	part no		12S+ 1P + 12LP		dwg no		10106269-IC03001	
		0.XX	±0.25		VT PF RECEPTACLE		rev		A			
ASME Y14.5	angular	0°	±2°		cat. no.	Product - Customer Drw		sheet 1 of 3				

PRODUCT NO.	ROWS	LOW POWER												LP		SIGNAL				
		E1	P14	P13	P12	P11	P10	P9	P8	P7	P6	P5	P4	P3	P2	P1	3	2	1	E2
10106269-IC03001LF	D C B A		LT	LT	LT	LT	LT	LT	LT	LT	LT	LT	LT	LT	X	HD	F	F	F	F

CODE	DESCRIPTION
F	STD SIGNAL CONTACT
HD	MFBL HIGH POWER CONTACT (3.43)
LT	STD LOW POWER CONTACT (3.43)
X	OMITTED



dr	Rainbow Zhan	2015/11/12	projection	MM	size	A3	scale	3:2	
eng	Rainbow Zhan	2015/12/25		← →	ecn no	-			
chr	Fancy Zhang	2015/12/25			rel level	Released			
appr	Pei-Ming Zheng	2015/12/25	product family	PowerBlade+					
			12S+ 1P + 12LP		dwg no	10106269-IC03001		rev	A
www.fci.com			cat. no.		Product - Customer Drw		sheet 2 of 3		



Copyright FCI.

A

B

C

D

A

B

C

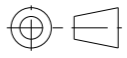
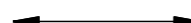

D

NOTES:

- 1) "FCI", PART NUMBER AND DATE CODE TO BE MARKED ON THIS SURFACE.
THE MARK CAN BE OMITTED IF THERE IS NOT ENOUGH SPACE ON THIS SURFACE.
- 2) MATERIALS:
-HOUSING - GLASS FILLED WITH HIGH TEMP THERMOPLASTIC, UL94V-0.
-SIGNAL CONTACT - COPPER ALLOY.
-POWER CONTACT - HIGH CONDUCTIVITY COPPER ALLOY.
- 3) PLATING SPECIFICATION REFER TO FCI 10116351
- 4) DENOTES CONNECTOR KEEP OUT ZONE.
- 5) DATUM AND BASIC DIMENSIONS WERE ESTABLISHED BY CUSTOMER.
- 6) ALL HOLE DIAMETERS ARE FINISHED HOLE SIZES.
- △7) 1.15 ± 0.025MM DRILLED HOLE PLATED WITH 0.00762MM MIN Sn
OVER 0.0254-0.0762MM Cu PLATING TO ACHIEVE A 1.02 ± 0.07MM HOLE.
COPPER PAD SIZE DIAMETER 1.52MM~1.67MM KEEPS PCB MINIMUM CREEPAGE
DISTANCE 2.50MM IN 4.19MM TAIL PITCH.
- 8) PRODUCT SPECIFICATION REFER TO FCI GS-12-658.
APPLICATION SPECIFICATION REFER TO FCI GS-20-141.
PRODUCT PACKAGED IN TRAYS, REFER TO FCI GS-14-1502.
- 9) THE VOID CORING IN BETWEEN POWER MODULES, SIGNAL
MODULES AND END MODULES ARE OPTIONAL AND THE SHAPE
MAY BE DIFFERENT FOR OPTIMIZE THE MOLDING PROCESS. THE
VOID CORING WILL NOT EFFECT TO PRODUCT FUNCTION.



Copyright FCI.

dr	Rainbow Zhan	2015/11/12	projection 	MM 	size	A3	scale	1:1
eng	Rainbow Zhan	2015/12/25			ecn no	-		
chr	Fancy Zhang	2015/12/25			product family	PowerBlade+	rel level	Released
appr	Pei-Ming Zheng	2015/12/25					cat. no. 12S+ 1P + 12LP VT PF RECEPTACLE	dwg no 10106269-IC03001
www.fci.com			Product - Customer Drw		sheet 3 of 3			