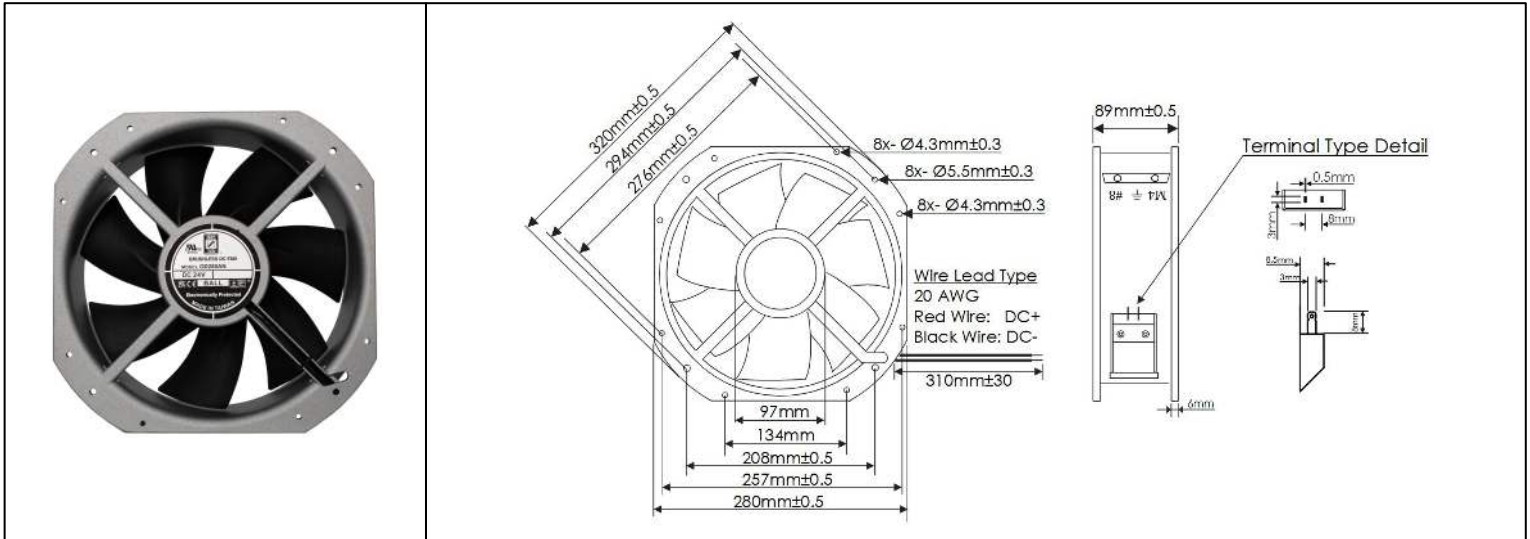


# OD280AN Series



DC Fans - 12, 24, 48V  
280mm x 89mm (11.1" x 3.50")



<b>Frame</b>	Die Cast Aluminum, Natural Finish	<b>Operating Temperature</b> -20°C ~ +65°C  <b>Storage Temperature</b> -20°C ~ +75°C  <b>Life Expectancy</b> 85,000 Hours (L10 at 35°C)  <b>Available Options</b> PWM Speed Control Input Thermal Speed Control Input Tachometer Output Alarm Output IP Ratings  Weight: 6.2 lbs.	
<b>Impeller</b>	PBT, UL94 V-0 Plastic		
<b>Connection</b>	2x Wire Leads, 20 AWG, or Terminals		
<b>Motor</b>	Brushless DC, Auto Cutoff, Auto Restart, Electronically Protected, Polarity Protected		
<b>Bearing System</b>	Ball Bearings		
<b>Dielectric Strength</b>	500VDC/min, <1mA		
<b>Insulation Resistance</b>	≥10M Ohm @500 VDC		

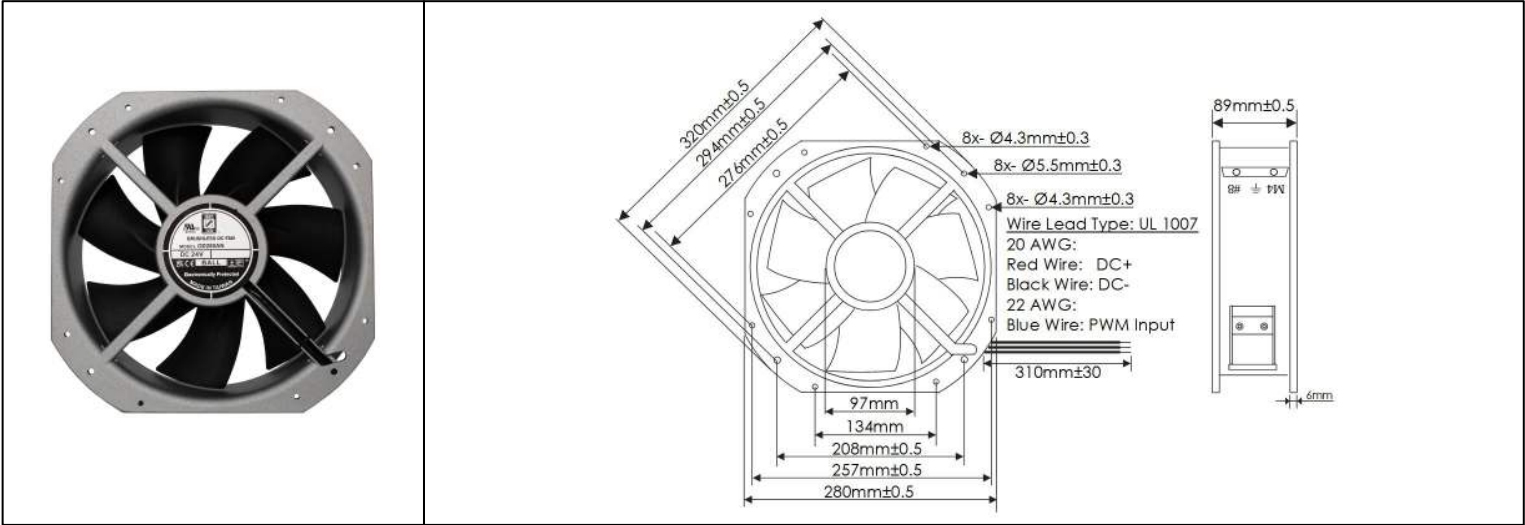
Part Number	Rated Voltage (Volts DC)	Voltage Range (Volts DC)	Input Power (Watts)	Rated Current (Amps)	Rated Speed (RPM)	Max Airflow (CFM)	Noise Level (dBA)	Max Static Pressure ("H <sub>2</sub> O)
OD280AN-12M**	12	11 ~ 13.8	90	7.50	2150	1050	56	0.65
OD280AN-12L**	12	11 ~ 13.8	50	4.20	1800	865	48	0.55
OD280AN-24H**	24	22 ~ 26.4	105	4.35	2400	1180	72	0.90
OD280AN-24M**	24	22 ~ 26.4	60	2.45	2150	1050	56	0.65
OD280AN-24L**	24	22 ~ 26.4	27	2.20	1800	865	48	0.55
OD280AN-48H**	48	45 ~ 52.0	106	2.20	2400	1180	72	0.90
OD280AN-48M**	48	45 ~ 52.0	60	1.20	2150	1050	56	0.65

\*\* Substitute "TB" for Terminal connection type, or "B" for Lead Wire connection type.

# OD280AN Series with PWM

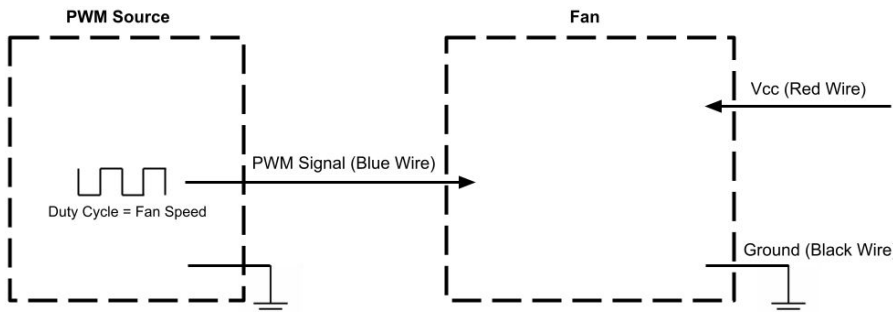


DC Fans - 12, 24, 48V  
280mm x 89mm (11.1" x 3.50")



<b>Frame</b>	Die Cast Aluminum, Natural Finish	<b>Operating Temperature</b> -20°C ~ +65°C	<p>Static Pressure ("H<sub>2</sub>O") vs Airflow (CFM)</p>
<b>Impeller</b>	PBT, UL94 V-0 Plastic	<b>Storage Temperature</b> -20°C ~ +75°C	
<b>Connection</b>	3x Wire Leads, UL 1007, 20/22 AWG	<b>Life Expectancy</b> 85,000 Hours (L10 at 35°C)	
<b>Motor</b>	Brushless DC, Auto Cutoff, Auto Restart, Electronically Protected, Polarity Protected	<b>Installed Options</b> PWM Speed Control Input	
<b>Bearing System</b>	Ball Bearings	<b>Available Options</b> 0-10V Speed Control Input	
<b>Dielectric Strength</b>	500VDC/min, <1mA	<b>Weight:</b> 6.2 lbs.	
<b>Insulation Resistance</b>	≥10M Ohm @500 VDC		

Part Number	Rated Voltage (Volts DC)	Voltage Range (Volts DC)	Input Power (Watts)	Rated Current (Amps)	Rated Speed (RPM)	Max Airflow (CFM)	Noise Level (dBA)	Max Static Pressure ("H <sub>2</sub> O)
OD280AN-12MB05	12	11 ~ 13.8	90	7.50	2150	1050	56	0.65
OD280AN-12LB05	12	11 ~ 13.8	50	4.20	1800	865	48	0.55
OD280AN-24HB05	24	22 ~ 26.4	105	4.35	2400	1180	72	0.90
OD280AN-24MB05	24	22 ~ 26.4	60	2.45	2150	1050	56	0.65
OD280AN-24LB05	24	22 ~ 26.4	27	2.20	1800	865	48	0.55
OD280AN-48HB05	48	45 ~ 52.0	106	2.20	2400	1180	72	0.90
OD280AN-48MB05	48	45 ~ 52.0	60	1.20	2150	1050	56	0.65



PWM Max High Voltage: 5V  
 PWM Max Sink Current: 5mA  
 PWM Frequency Range: 1KHz-100KHz  
 PWM Typical Frequency: 25KHz  
 RPM at 0% Duty Cycle: 0 RPM  
 RPM will be full speed if PWM input is disconnected.