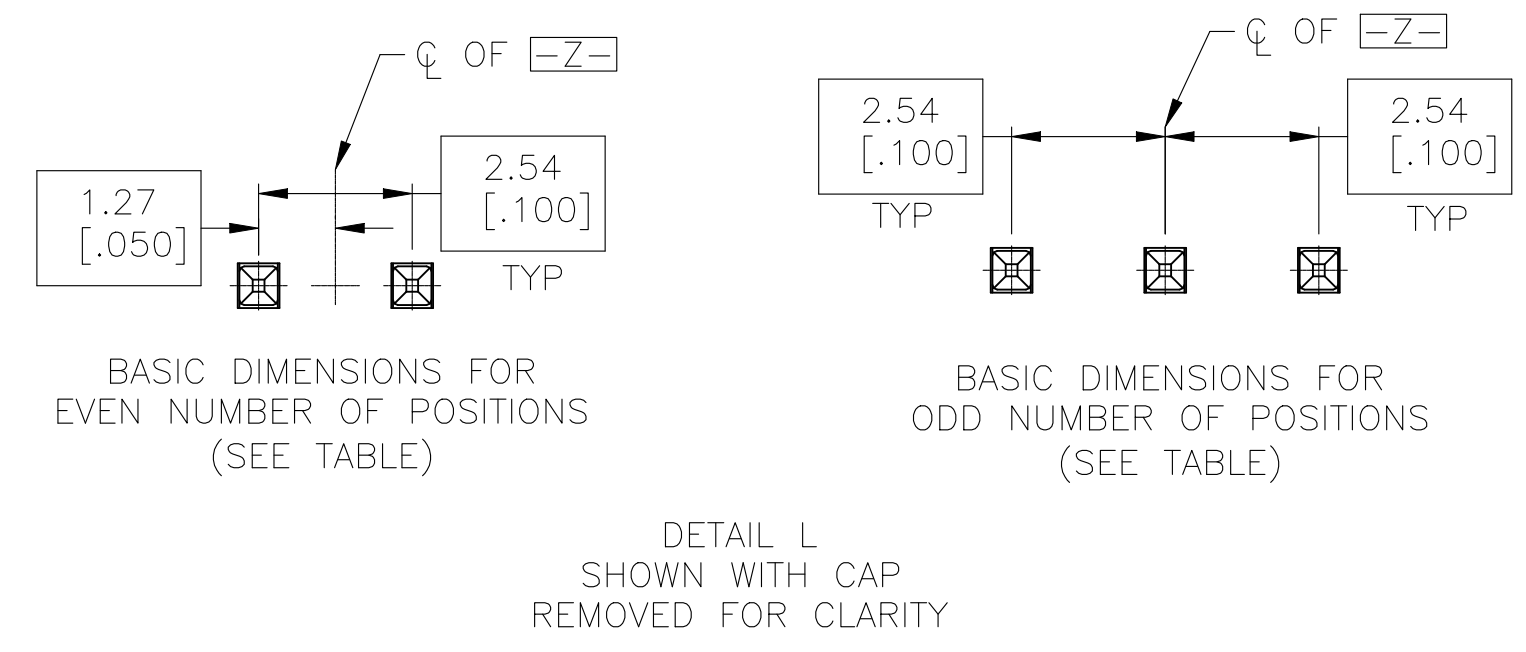
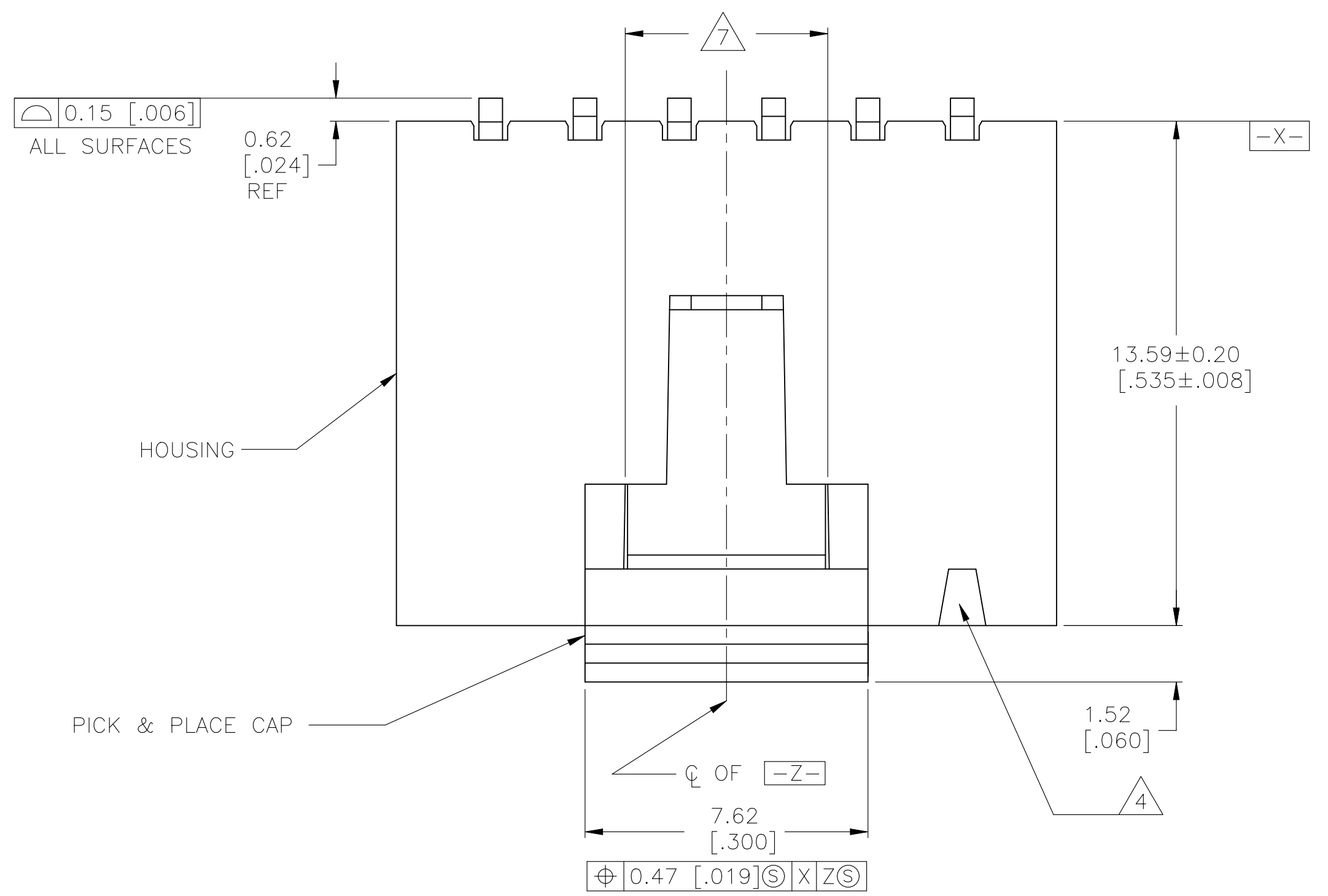
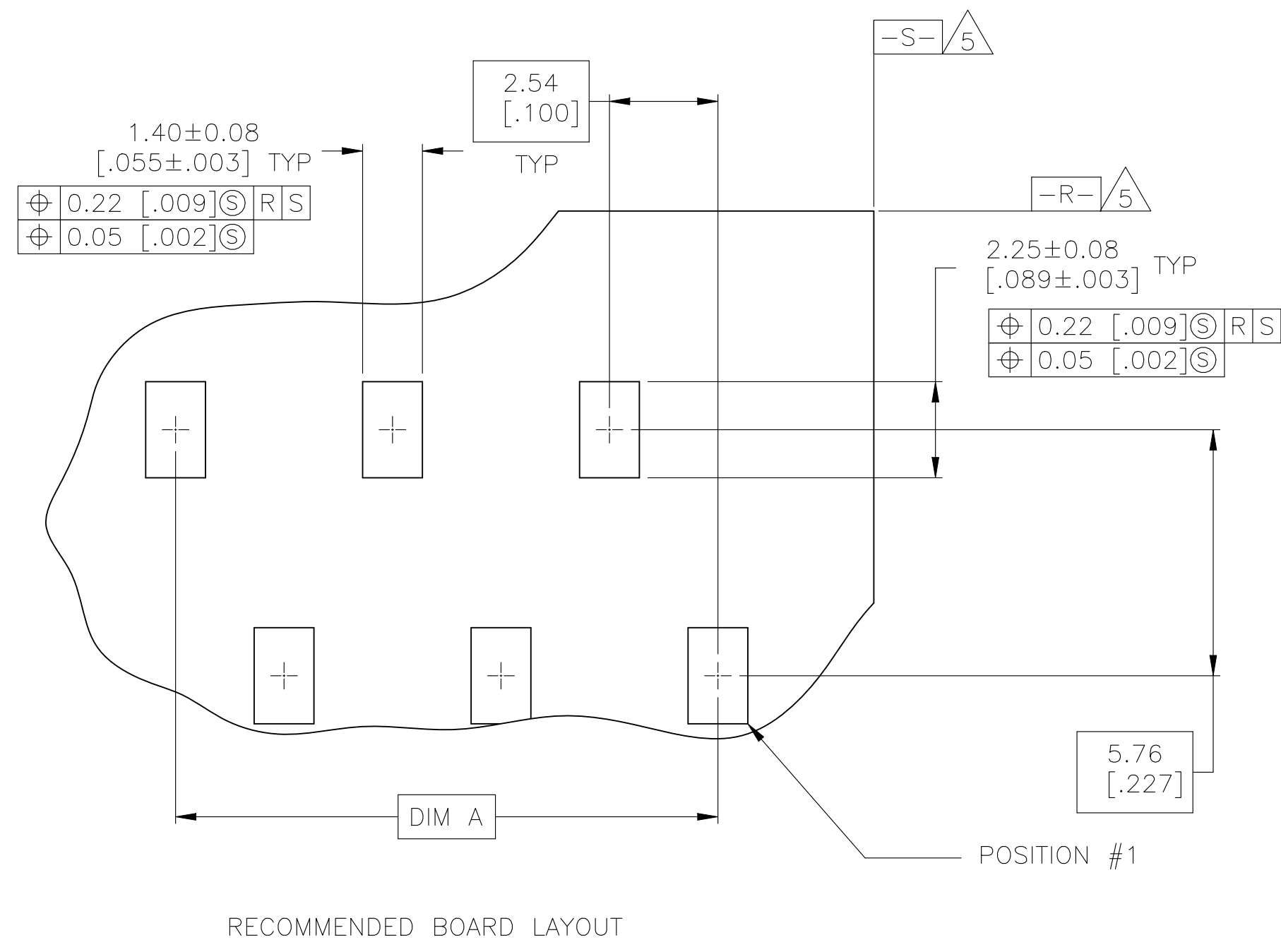
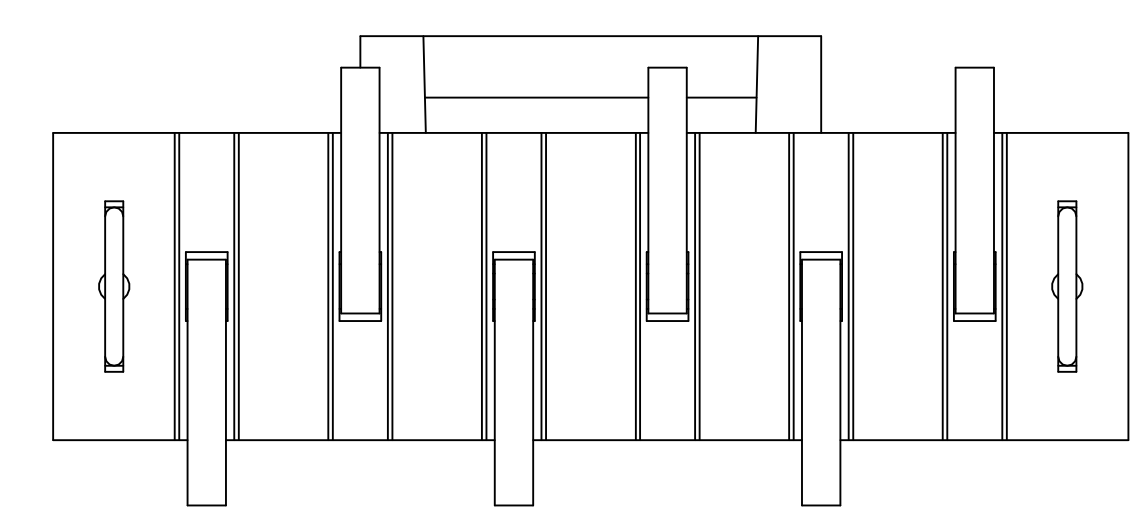
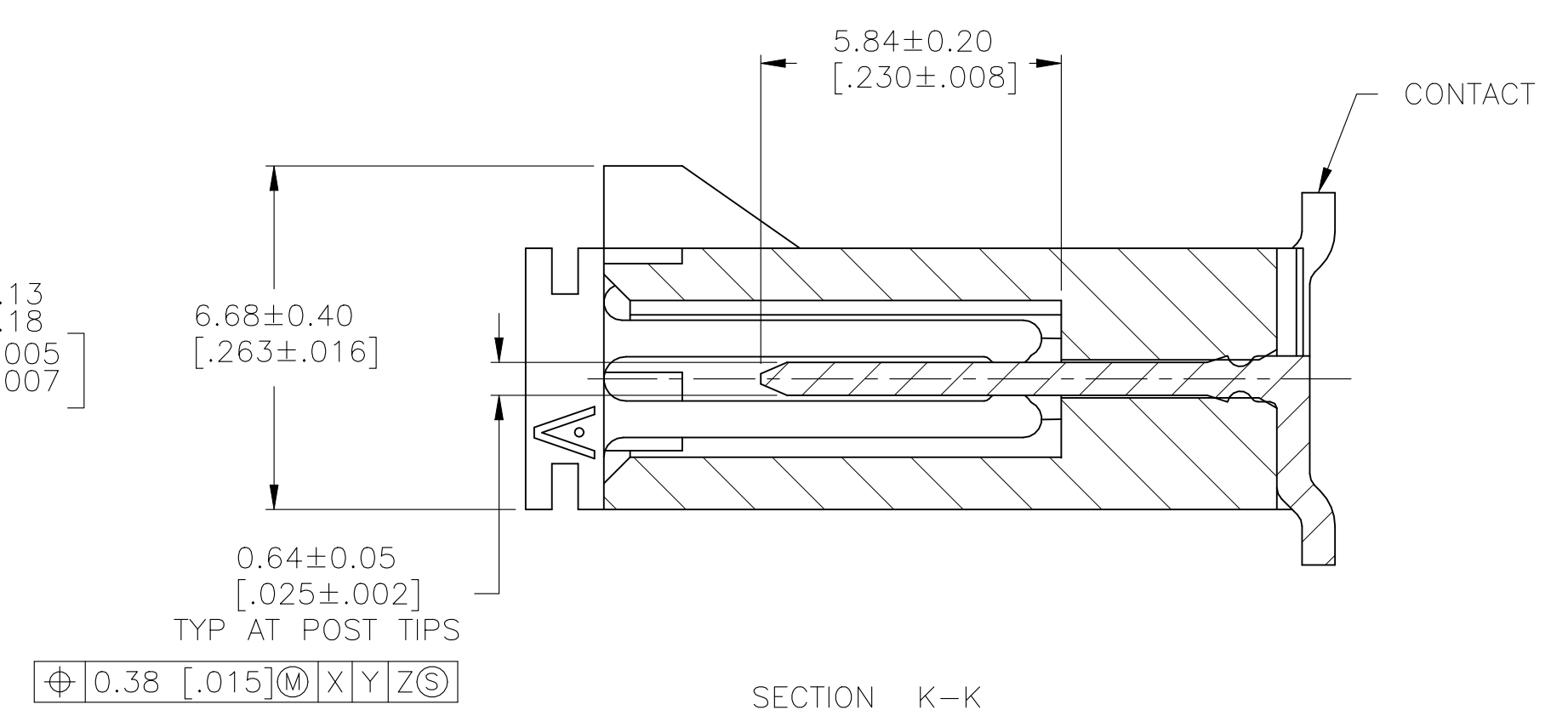
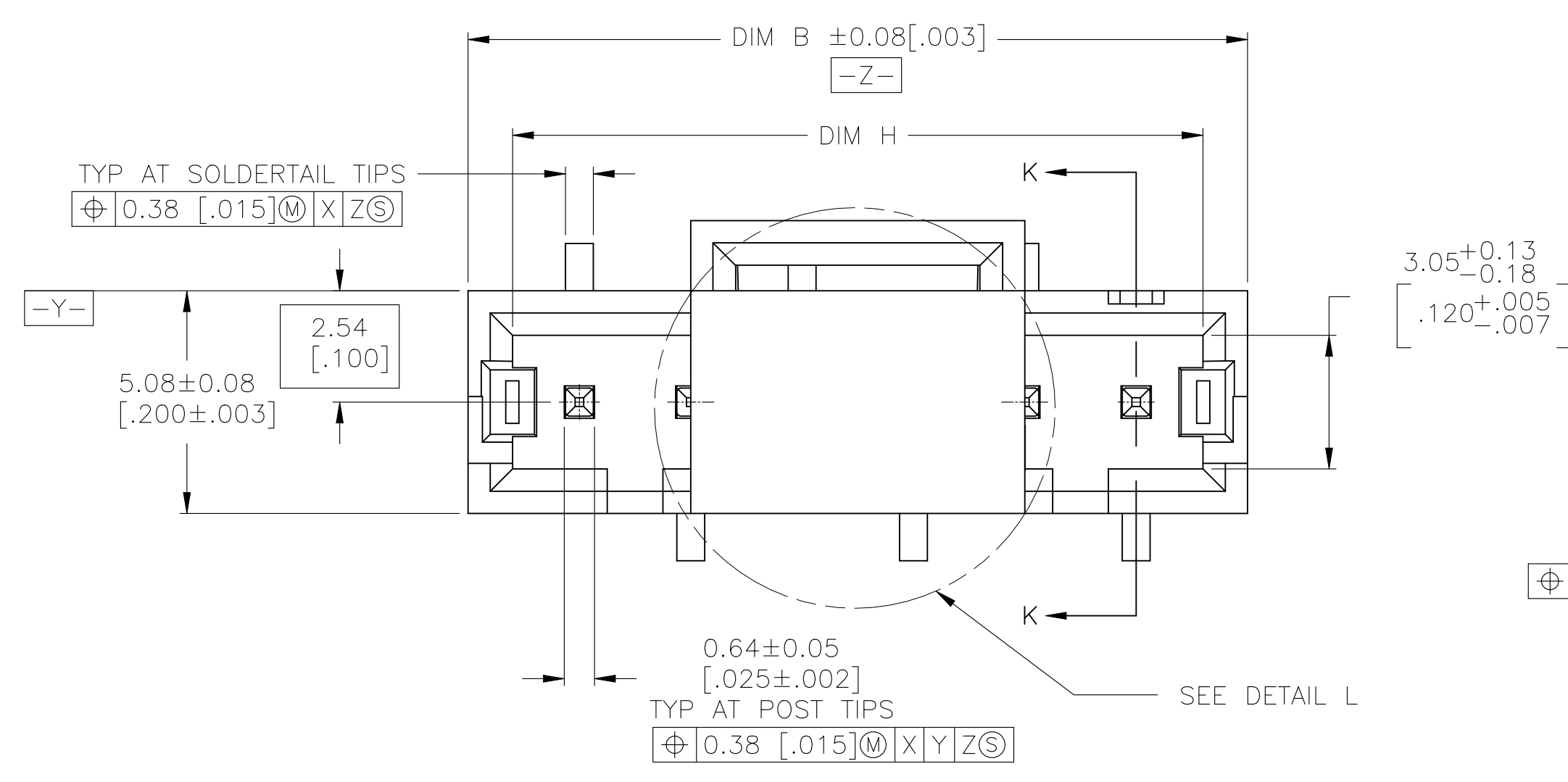


REVISIONS					
REV	DATE	BY	CHK	APPV	DESCRIPTION
J	02JAN2023	RK	MF		REVISED PER ECR-22-162119



- PACKAGE: TAPE AND REEL PER EIA-481 SPECIFICATIONS. SEE TABLE FOR TAPE WIDTHS
- MATERIAL: HOUSING AND PICK & PLACE CAP: HIGH TEMPERATURE LCP, COLOR - BLACK, CONTACTS: BRASS
- FINISH: CONTACTS: 0.00254[.0001] MATTE TIN OVER 0.00127[.00005] NICKEL
- CIRCUIT POSITION #1 IDENTIFICATION MARK
- DATUMS ARE ESTABLISHED BY CUSTOMER
- PRELIMINARY PART - NOT RELEASED FOR PRODUCTION
- 0.25 [.010] RECESS PERMISSIBLE IN THIS AREA FOR MOLD SHUT OFF



TAPE WIDTH	H	B	A	NO OF POSN	PART NUMBER				
44	1.732	28.45	1.120	30.35	1.195	25.40	1.000	9	1825514-5
32	1.260	15.75	.620	17.65	.695	12.70	.500	6	1825514-4
56	2.205	30.99	1.220	32.89	1.295	27.94	1.100	12	1825514-3
56	2.205	36.07	1.420	37.97	1.495	33.02	1.300	14	1825514-2
56	2.205	28.45	1.120	30.35	1.195	25.40	1.000	11	1825514-1

THIS DRAWING IS A CONTROLLED DOCUMENT.

DIMENSIONS: mm [INCHES]	TOLERANCES UNLESS OTHERWISE SPECIFIED:	DIN R BROWN 03MAR2006	APVD J GESFORD 03MAR2006	NAME	AMPMODU MTE SURFACE MOUNT, VERTICAL HEADER ASSEMBLY
0. PLC ± -	1. PLC ± -	2. PLC ± 0.13 [.005]	3. PLC ± -	4. PLC ANGLES ± -	SIZE A1
MATERIAL	FINISH	WEIGHT	SCALE 8:1	SHEET 1 of 1	REV J

CUSTOMER DRAWING