



## FEATURES

- ▶ Display hold function standard
- ▶ 3½ digits with 0.56" RED or GREEN LED
- ▶ 10 wire harness included
- ▶ Gasket and clamp provided for NEMA4, NEMA12 & IP66 applications
- ▶ User-selectable decimal points

## SPECIFICATIONS

### DISPLAY

Digits: 3 ½ (±1999 count)  
 Type: 7- segment LED (red or green)  
 Digit Height: .56 in (14.2 mm)  
 Polarity: automatic "-" for neg input  
 Decimal Point: 3 position selectable  
 Overrange: three lower order digits blank for inputs >1999 & < -1999

### SIGNAL INPUTS

Configuration: bipolar, differential  
 Full-Scale Input: ±200 mV, ±2 V, ±20 V  
 Input Offset Adjustment: auto zero  
 Input Impedance: >100 MΩ (±200 mV), -1 MΩ (other ranges)  
 Common Mode Range: ±1 VDC  
 Common Mode Rejection: >86 dB  
 Protection: ±350 VDC (±100 VDC for 200 mV range)  
 Input Bias Current: 1 pA typical, 100 pA max  
 Control Inputs: decimal point select, hold, span adjust trimpot

### PERFORMANCE

Sampling Rate: 3.3 readings / seconds  
 Accuracy: ± (0.1% + 2 counts) typical  
 ± (0.2% + 2 counts) max  
 Warmup, typical: 10 min  
 Temperature Drift, typical: 100 ppm / °C

### POWER SUPPLY

Supply Voltage: +5 VDC ±5%  
 Supply Current, typical: 200 mA

### ENVIRONMENT

Operating Temperature: 0 to 50°C  
 Storage Temperature: -10 to 60°C  
 Relative Humidity: 0 to 95% non-condensing

### PHYSICAL

Package Style: NEMA bezel mount  
 Dimensions: 3.09 x 1.5 x .66"  
 Panel Cutout: 2.83 x 1.26"  
 Weight: 1.0 oz  
 Connector: J1C-10 or C10-5 optional

### CONNECTION:

10 pin

## ORDERING INFO

PART NUMBER	METER COLOR	METER POWER
DK611	GREEN	200mV DC
DK612	GREEN	2VDC
DK613	GREEN	20VDC
DK614	RED	200mV DC
DK615	RED	2V DC
DK616	RED	20V DC

### ACCESSORIES

C10-5	5" - 10 Pin Connector / Wire Assembly
J1C10	12" - 10 Pin Connector / Wire Assembly
PW2-5	Regulated 120V AC to 5V DC Power Supply
PW1.0	24V AC to adjustable DC output
CPW1.5B	24V AC to adjustable DC output
CVC	Calibrator

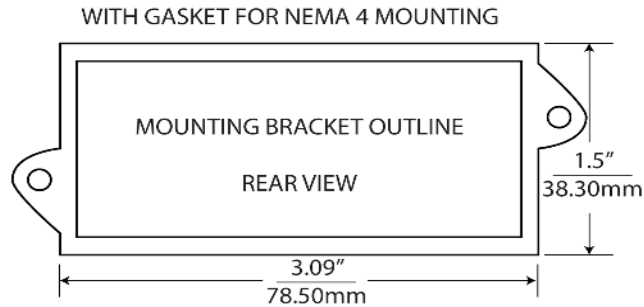
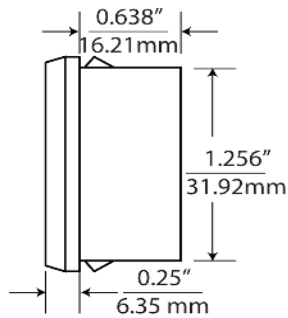
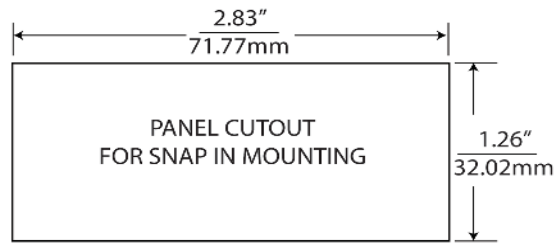
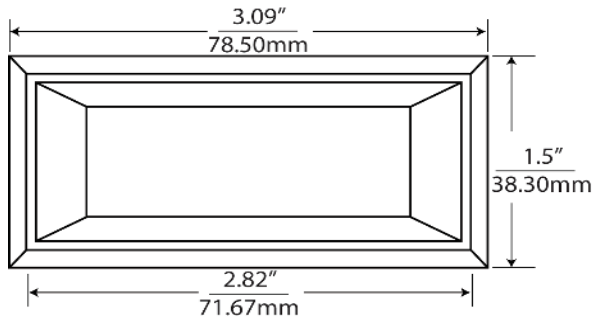


Specifications Installation and Operating Instructions  
**LED Digital Panel Meters**  
 3½ Digit LED Display for voltage inputs

**DK610**



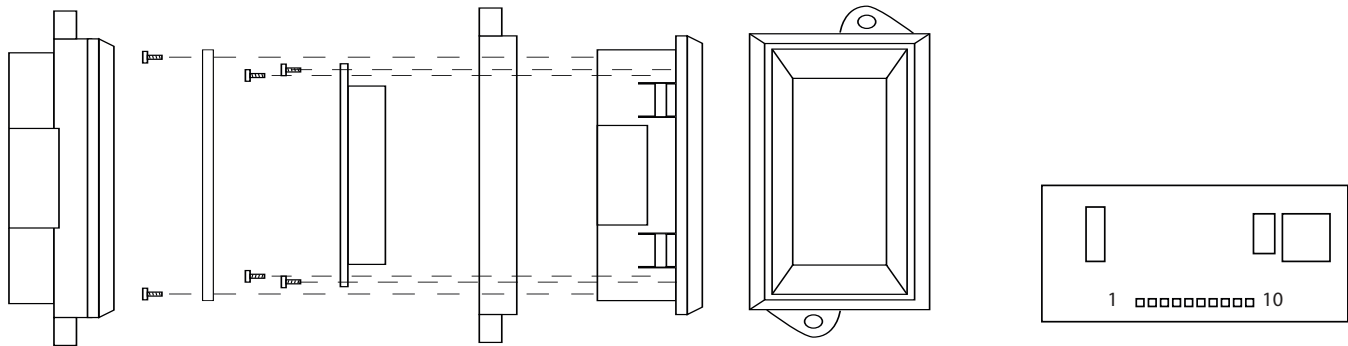
**DIMENSIONS**



**NOTES:**

1. Panel thickness is: 0.032"/0.81mm to 0.25"/6.35mm
2. Gasket supplied is: 0.09"/2.25mm thick

inches  
mm



**WIRING**

Pin No.	Pin Name	Description
1	V+	+5V power supply
2	GND	Power supply ground
3	DP COM	Decimal point return
4	DP1	1XX.X (connect to DP COM to turn on)
5	DP2	1X.XX (connect to DP COM to turn on)
6	DP3	1.XXX (connect to DP COM to turn on)
7	INPUT(+)	Positive input signal
8	INPUT(-)	Negative input signal
9	NC	No connection required
10	HOLD	Hold last display

