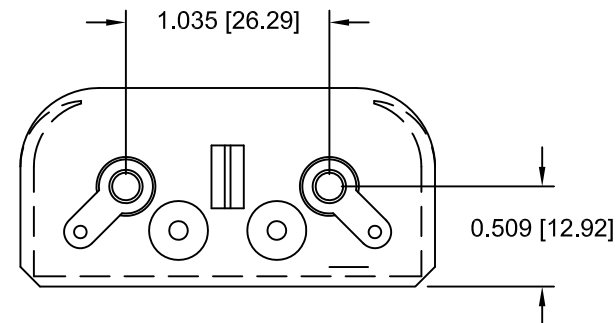
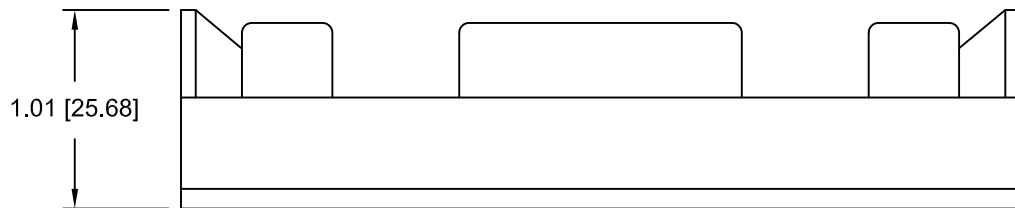
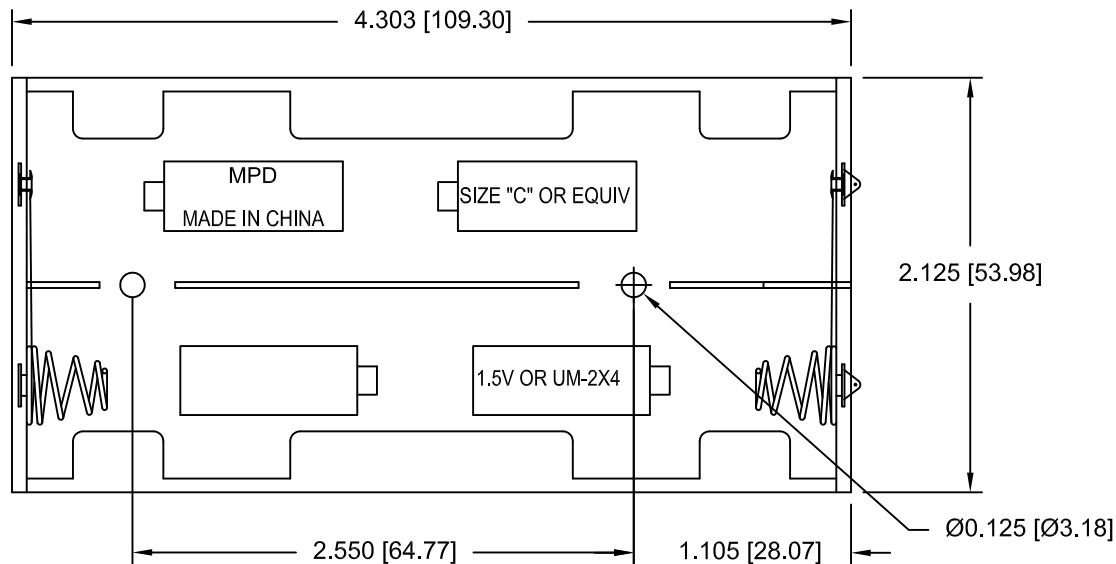



Date	SYM	REVISION RECORD	AUTH	DR.	CK.
3/07/08	D	DIM. 2.550 WAS 2.500 DIM. 1.105 WAS 1.143.	T.B.	B.S.	
11/16/12	E	RE-DRAWN DIM. 4.268 WAS 4.303	T.B.	B.S.	
8/06/14	F	UPDATED TO ROHS 2 COMPLIANT	T.B.	B.S.	
5/19/17	G	DIM.2.125 WAS 2.109 DIM. 3.18 WAS 3.17 DIM. 25.68 WAS 1.01	T.B.	B.S.	



## SPECIFICATIONS

Plastic material - Polypropylene  
 Flammability Rating -UL94-HB, UL File NO. E216959  
 Temperature Range: -10°C to +100°C  
 Springs - Nickel Plated Spring Steel  
 Rivets - Brass, Nickel Plated  
 Solder Lugs: Steel, Nickel Plated  
 Contact Resistance: Under 50mΩ FOR +/- Contacts per  
 EIA-540J000  
 ROHS 2 COMPLIANT

Tolerance (Except as noted)	 <b>Memory Protection Devices, Inc</b> 200 Broad Hollow Road, Farmingdale, New York 11735		
	decimal ±.020 (.5)	Scale 1=1	Drawn By T.S. Approved By T.B.
Fractional ± .030 (.8)	Title FOUR "C" CELL HOLDER WITH SOLDER LUGS		
Angular ± 3°	Date 5/19/17	Drawing Number BH24CL	