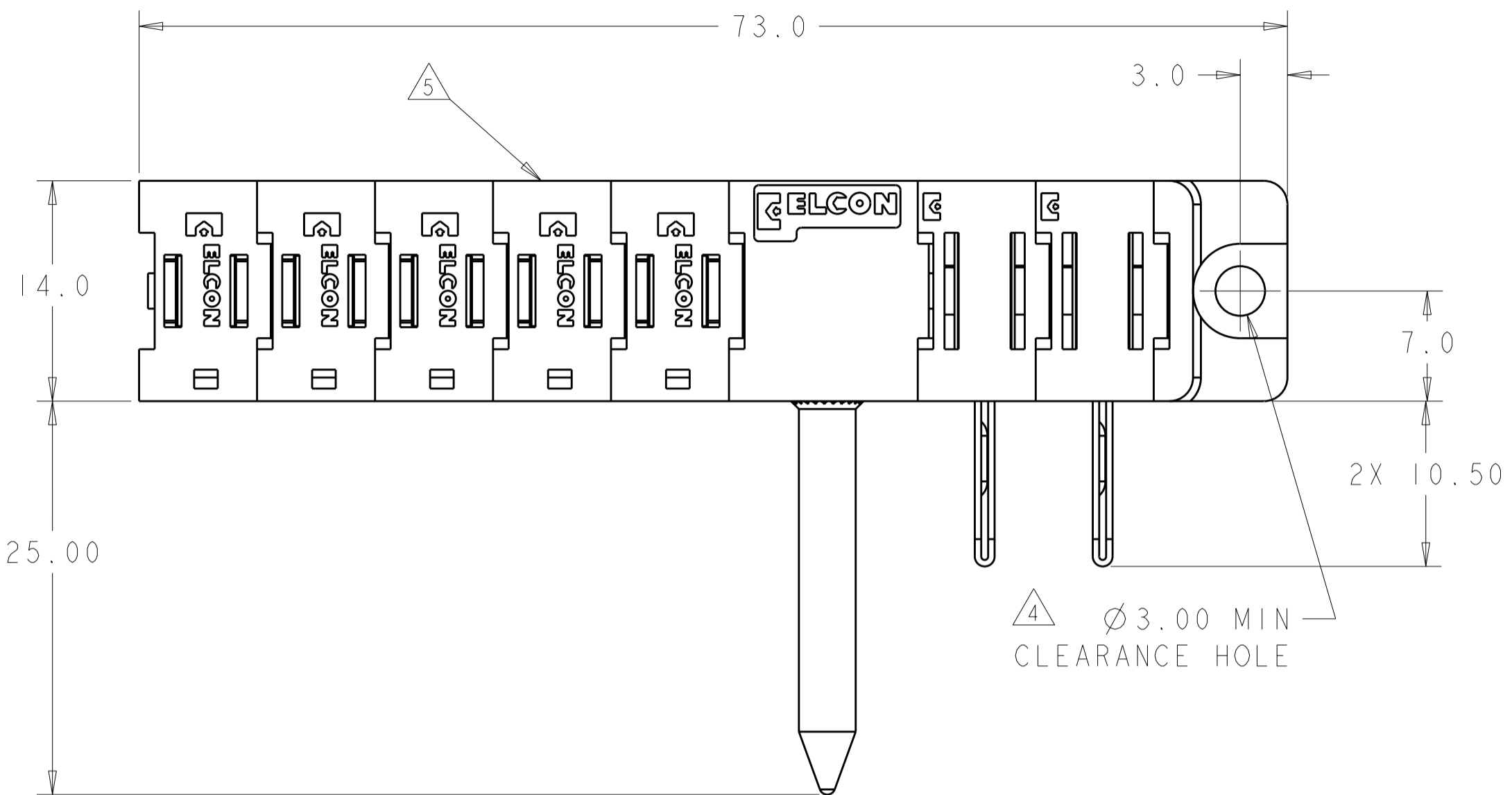


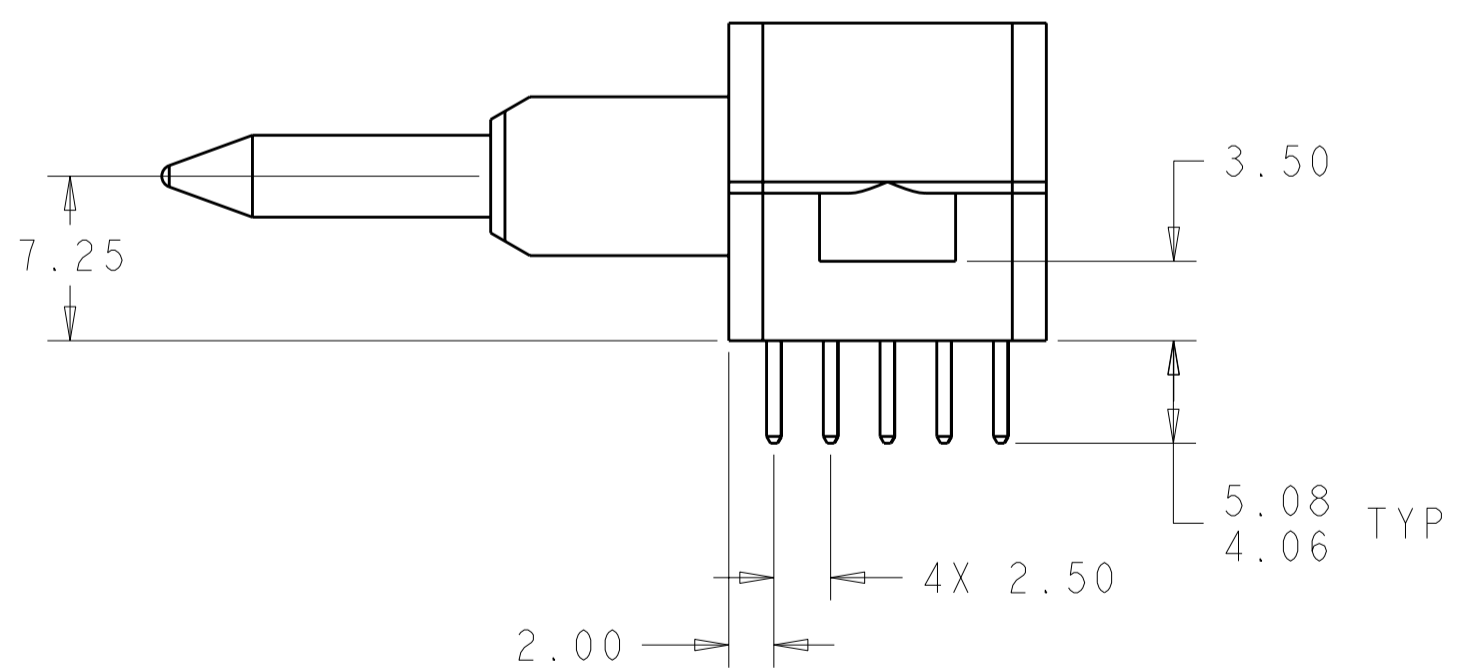
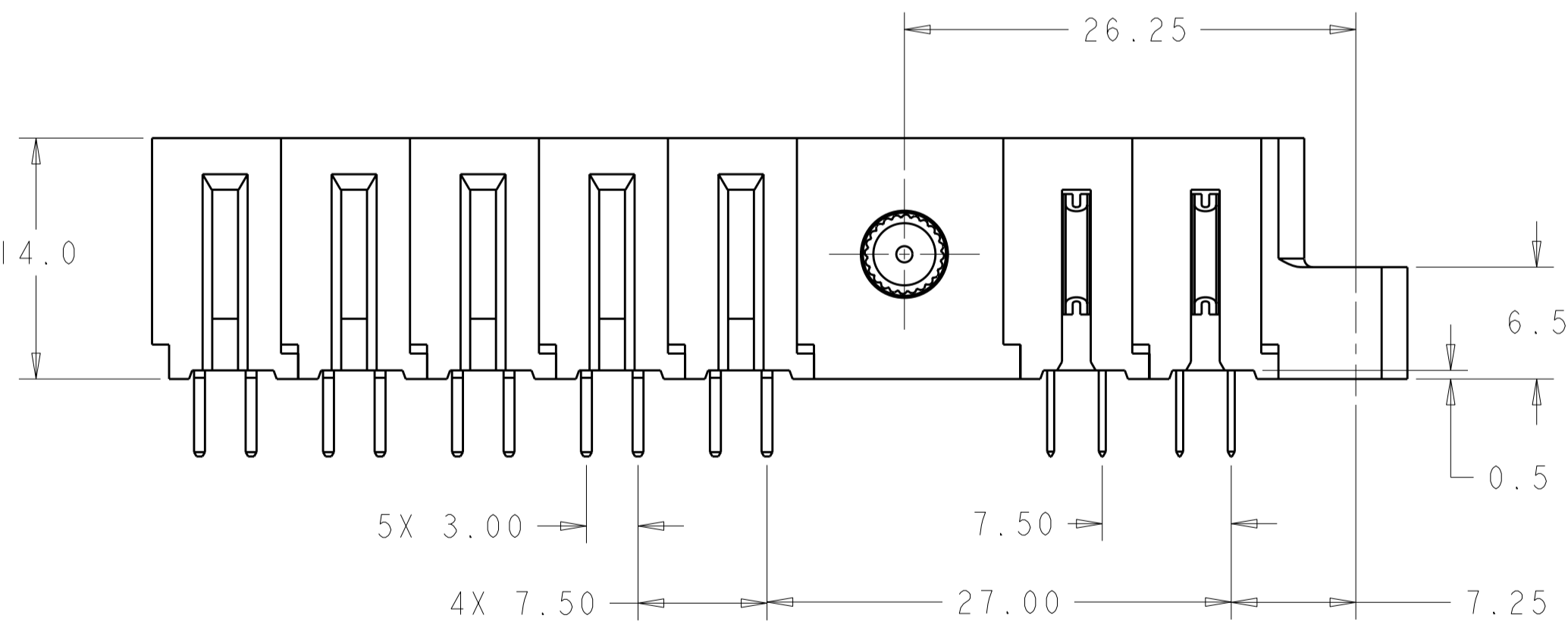
THIS DRAWING IS UNPUBLISHED. RELEASED FOR PUBLICATION 20
 © COPYRIGHT 20 BY TYCO ELECTRONICS CORPORATION. ALL RIGHTS RESERVED.

LOC		DIST		REVISIONS			
P	LTR	DESCRIPTION	DATE	DWN	APVD		
GP	00	A	RELEASED	16APR2008	RG	PD	



- PART NUMBER CHANGES AND OR DESIGN CHANGES AFFECTING ITEM INTERCHANGEABILITY REQUIRE PRIOR TYCO ELECTRONICS APPROVAL AND AUTHORIZATION BY REVISION TO THIS DRAWING.
 - MATERIAL:
 INSULATORS - THERMOPLASTIC, GLASS REINFORCED, COLOR: BLACK, UL94V-0 FLAMMABILITY RATED.
 POWER CONTACTS - PHOSPHOR BRONZE ALLOY, COPPER ALLOY
 CROWN BAND-BERYLLIUM COPPER ALLOY
 GUIDE PIN - BRASS ALLOY
 - FINISH:
 CONTACTS - GOLD PLATE 0.76µm MIN. THK., OVER NICKEL 1.27µm MIN. THK
 SOLDER TAILS, TIN 3.05µm MIN. THK. OVER NICKEL 1.27µm MIN THK.
 GUIDE PIN - NICKEL PLATE 1.27µm MIN THK.
- 4 MOUNTING FLANGES ACCEPT M3 OR #4-40 SCREWS, (USER SUPPLIED)
 5 ITEMS PROVIDED TO THIS SPECIFICATION TO BE PERMANENTLY IDENTIFIED PER THE FOLLOWING IDENTIFIER LABEL

YEAR WEEK
 TYCO ELECTRONICS P/N: DATE CODE (e.g. 0106):



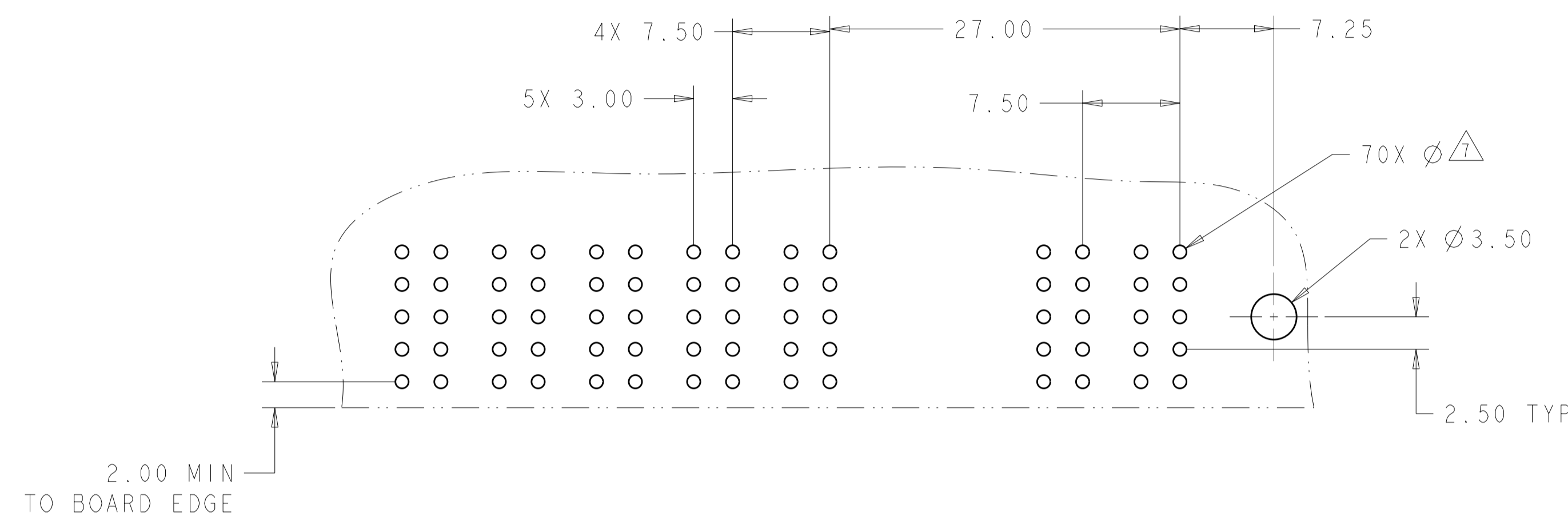
AS SHOWN	1926799-1
DESCRIPTION	PART NUMBER

ELCON FLATPAQ

THIS DRAWING IS A CONTROLLED DOCUMENT FOR TYCO ELECTRONICS CORPORATION. IT IS SUBJECT TO CHANGE AND THE CONTROLLING ENGINEERING ORGANIZATION SHOULD BE CONTACTED FOR THE LATEST REVISION.		DWN: R. GRZYBOWSKI 02APR2008 CHK: P. DAMATO 02APR2008 APVD: S. FLICKINGER 02APR2008	Tyco Electronics Harrisburg, PA 17105-3608
DIMENSIONS: mm 	TOLERANCES UNLESS OTHERWISE SPECIFIED: 0 PLC ±.5 1 PLC ±.5 2 PLC ±.25 3 PLC ±.5 4 PLC ±.5 ANGLES ±3 FINISH	PRODUCT SPEC: - APPLICATION SPEC: - WEIGHT: -	NAME: PIN CONNECTOR ASSEMBLY RIGHT ANGLE SOLDER TAILS SIZE: A2 CAGE CODE: 00779 DRAWING NO: 1926799 RESTRICTED TO: -
MATERIAL: -		CUSTOMER DRAWING	
		SCALE: 3:1	SHEET 1 OF 3 REV A

THIS DRAWING IS UNPUBLISHED. RELEASED FOR PUBLICATION 20
 © COPYRIGHT 20 BY TYCO ELECTRONICS CORPORATION. ALL RIGHTS RESERVED.

LOC	DIST	REVISIONS			
P	LTR	DESCRIPTION	DATE	DWN	APVD
GP	00	-	SEE SHEET 1	-	-



PRINTED CIRCUIT LAYOUT
 COMPONENT SIDE

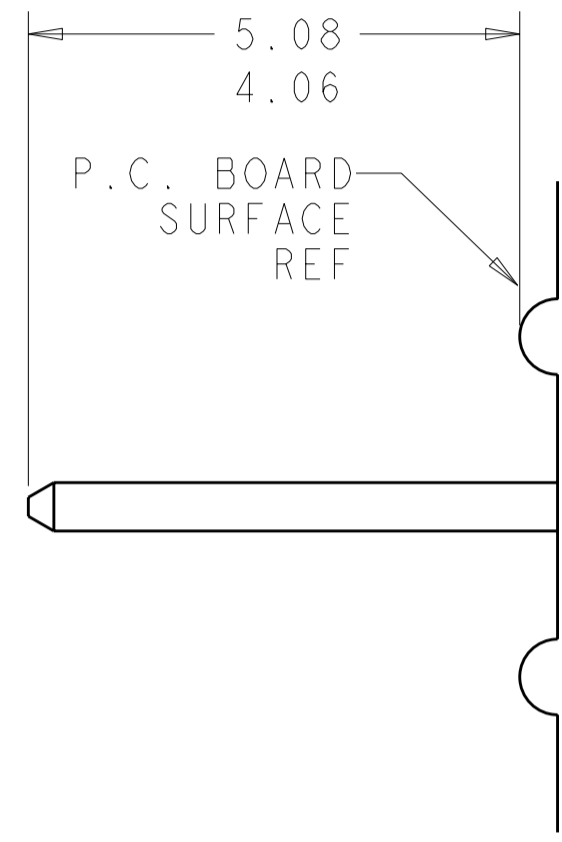
CONNECTOR	EQUIVALENT CATALOG #	MODULE QTY	CONTACT QTY	SIZE NO.	MATING PIN	MAX. CURRENT (PER CONTACT)	CONTACT SPACING	VOLTAGE RATING
PIN	FP104	5	5	8	1.25 X 7.00 [.049 X .276]	35 amps	7.50 [.2953]	250 VOLTS
	FP151	2	2	8	1.25 X 7.00 [.049 X .276]	35 amps	7.50 [.2953]	250 VOLTS
	FP507	1	-	RIGHT ANGLE GUIDE PIN, PASSIVE				
	FP501	1	-	RIGHT MOUNTING FLANGE				

<small>THIS DRAWING IS A CONTROLLED DOCUMENT FOR TYCO ELECTRONICS CORPORATION. IT IS SUBJECT TO CHANGE AND THE CONTROLLING ENGINEERING ORGANIZATION SHOULD BE CONTACTED FOR THE LATEST REVISION.</small>		DWN R. GRZYBOWSKI 02APR2008 CHK P. DAMATO 02APR2008 APVD S. FLICKINGER 02APR2008	Tyco Electronics Harrisburg, PA 17105-3608
DIMENSIONS: mm 	TOLERANCES UNLESS OTHERWISE SPECIFIED: 0 PLC ±.5 1 PLC ±.5 2 PLC ±.25 3 PLC ±. 4 PLC ±. ANGLES ±3 FINISH	PRODUCT SPEC APPLICATION SPEC WEIGHT CUSTOMER DRAWING	NAME PIN CONNECTOR ASSEMBLY RIGHT ANGLE SOLDER TAILS SIZE CAGE CODE DRAWING NO RESTRICTED TO A200779 C-1926799 -
		SCALE 3:1	SHEET 2 OF 3 REV A

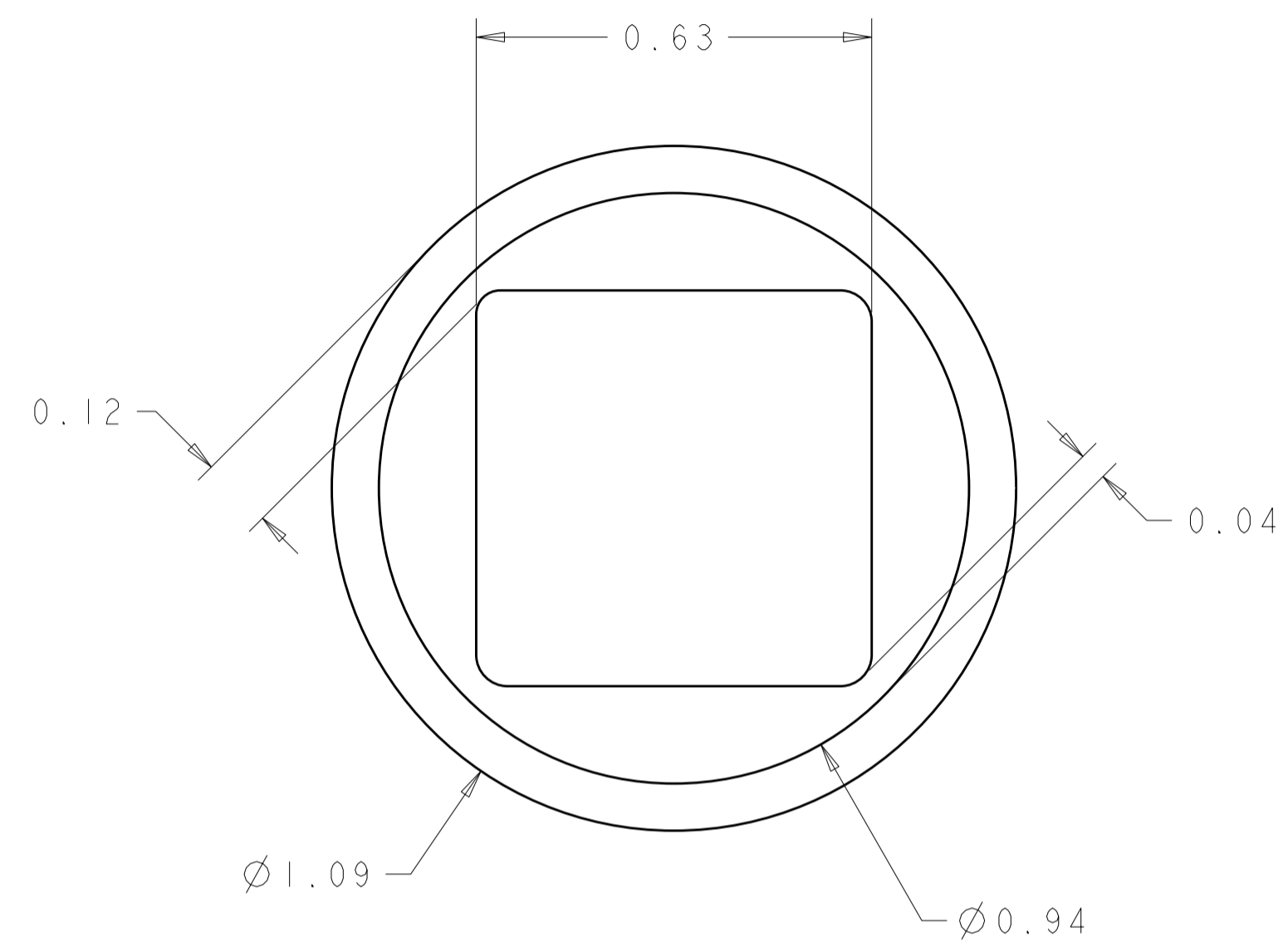
ELCON **FLATPAQ**

THIS DRAWING IS UNPUBLISHED. RELEASED FOR PUBLICATION 20
 © COPYRIGHT 20 BY TYCO ELECTRONICS CORPORATION. ALL RIGHTS RESERVED.

LOC	DIST	REVISIONS			
P	LTR	DESCRIPTION	DATE	DWN	APVD
GP	00	-	SEE SHEET 1	-	-



6. SOLDER PIN DETAIL
SCALE 10:1



7. SOLDER TERMINATION AREA
SCALE 40:1
 RECOMMENDED PRINTED CIRCUIT SOLDER HOLE
 FINISHED HOLE: Ø1.02 [.040] ±.08 [.003]
 DRILLED HOLE: Ø1.15 [.0453] ±.013 [.0005]
 COPPER PLATE: .025 [.0010] MIN.
 TIN PLATE: .008 [.0003] MIN. (PER SURFACE)

ELCON **FLATPAQ**

THIS DRAWING IS A CONTROLLED DOCUMENT FOR TYCO ELECTRONICS CORPORATION. IT IS SUBJECT TO CHANGE AND THE CONTROLLING ENGINEERING ORGANIZATION SHOULD BE CONTACTED FOR THE LATEST REVISION.		DWN R. GRZYBOWSKI 02APR2008	Tyco Electronics Harrisburg, PA 17105-3608	
DIMENSIONS: mm		CHK P. DAMATO 02APR2008	NAME PIN CONNECTOR ASSEMBLY RIGHT ANGLE SOLDER TAILS	
TOLERANCES UNLESS OTHERWISE SPECIFIED: 0 PLC ±.5 1 PLC ±.25 2 PLC ±.25 3 PLC ±. 4 PLC ±. ANGLES ±3		APVD S. FLICKINGER 02APR2008	SIZE A200779	DRAWING NO C-1926799
MATERIAL	FINISH	PRODUCT SPEC - APPLICATION SPEC -	RESTRICTED TO -	
CUSTOMER DRAWING		WEIGHT -	SCALE 3:1	SHEET 3 OF 3 REV A