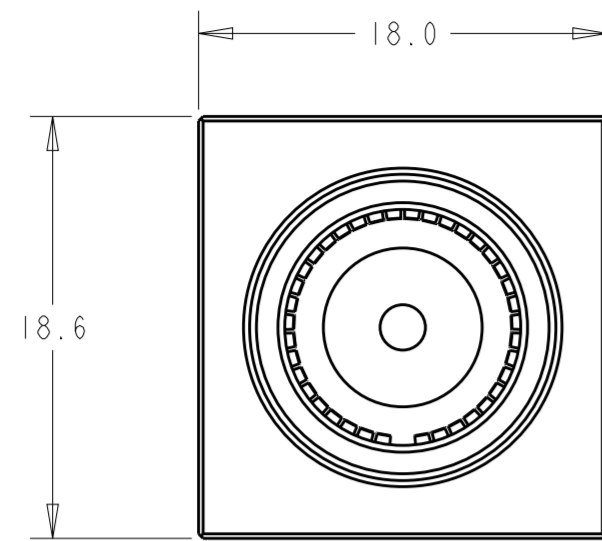


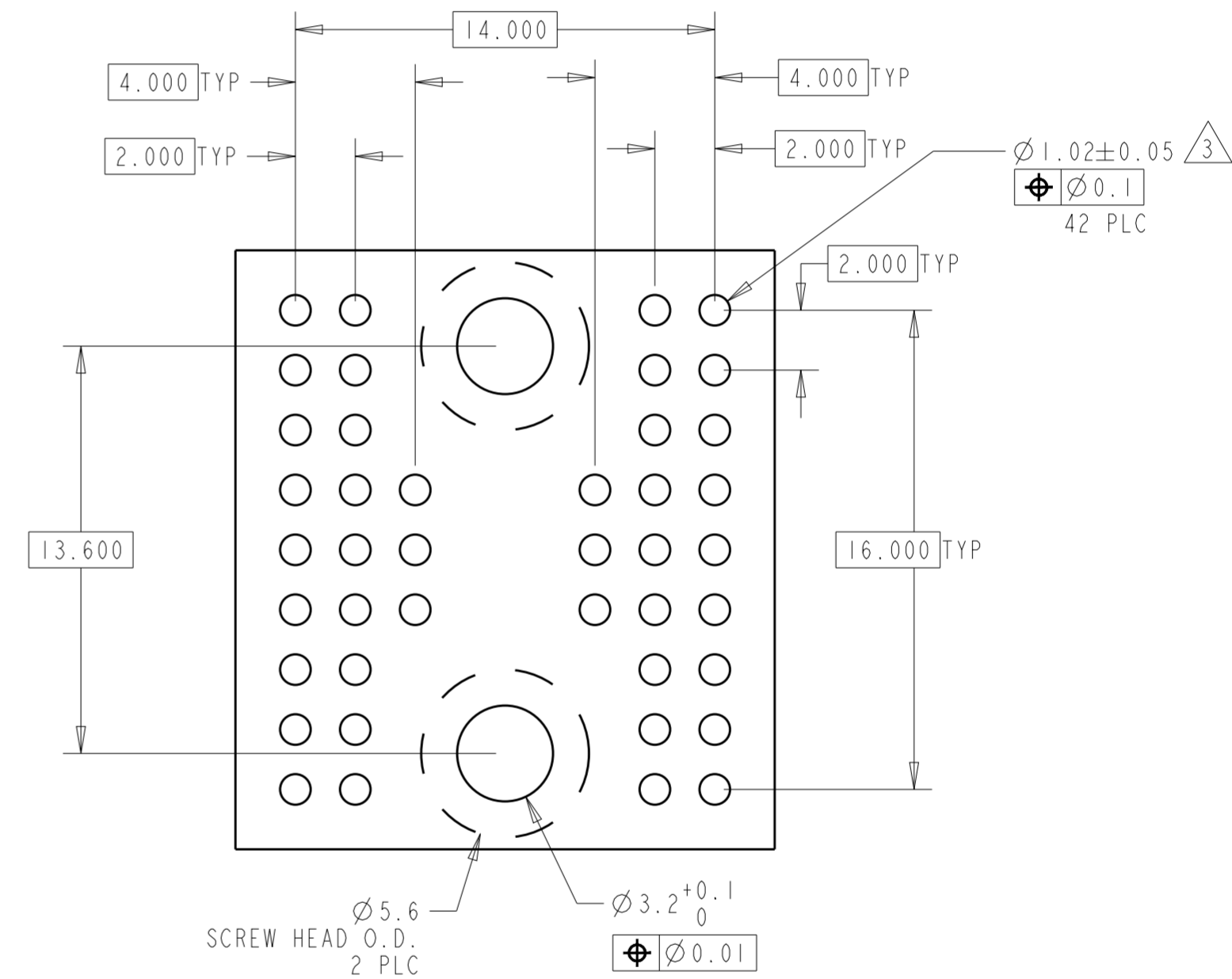
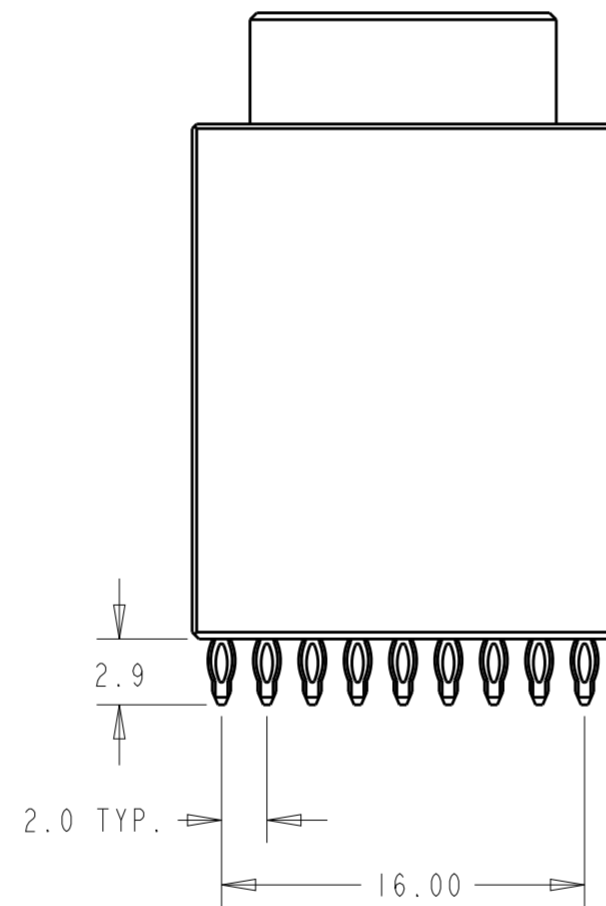
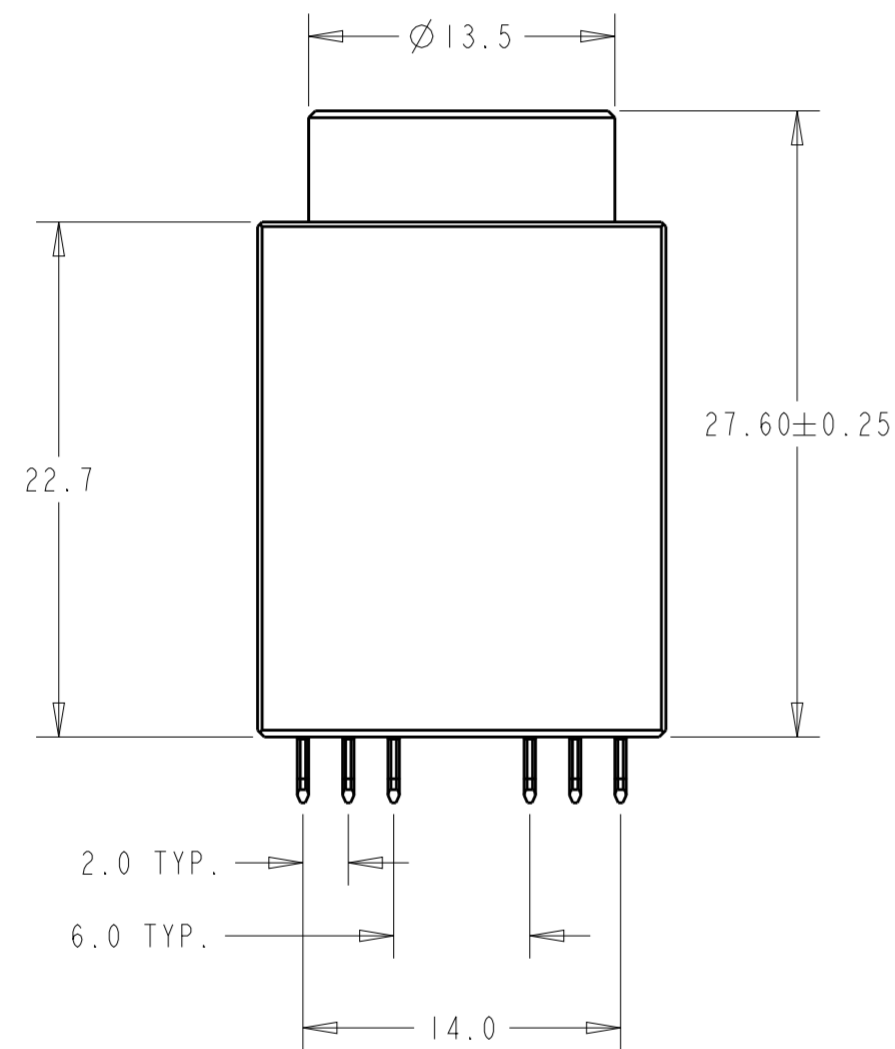
P	LTR	DESCRIPTION	DATE	DWN	APVD
	A	RELEASE	13OCT2020	AL	SZ



1. MATERIAL: COPPER ALLOY FOR ROUND SOCKET, SQUARE BODY, AND COMPLIANT PINS.
2. FINISH:
 ROUND SOCKET: 150μIN MIN SILVER OVER 50μIN MIN NICKEL PLATING
 SQUARE BODY: 150μIN MIN NICKLE PLATING
 COMPLIANT PINS: 80μIN MIN TIN OVER 50μIN NICKEL PLATING

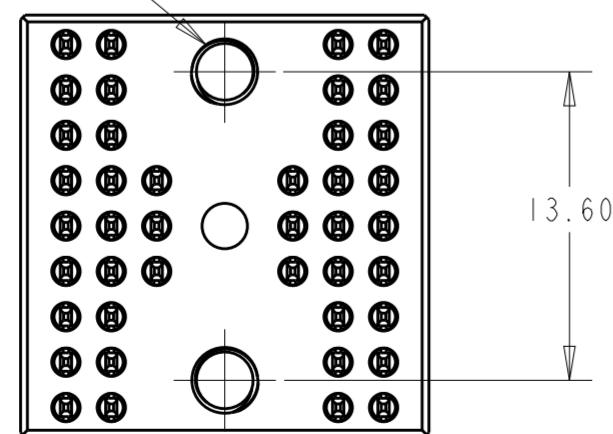
3. RECOMMENDED PCB HOLE SPEC:
 DRILLED HOLE: $\varnothing 1.15 \pm 0.025$ mm
 FINISHED HOLE: $\varnothing 1.02 \pm 0.05$ mm
 COPPER PLATING: 0.03mm MIN PER SURFACE
 TIN PLATING: 0.008mm MIN PER SURFACE

4. ELECTRICAL PERFORMANCE: 300A CURRENT
5. INSTALLATION: APPROX. 230Lbf TO PRESS ASSEMBLY ONTO BOARD
6. RECOMMENDED TORQUE FOR M3 SCREW: 5Kgf*cm



RECOMMENDED PCB LAYOUT
 PCB THICKNESS: 2.00mm MIN

M3*0.5-6H
 THREAD DEPTH 6.0
 OPTIONAL PLATING
 2 PLC



2368390-1 PART NUMBER

THIS DRAWING IS A CONTROLLED DOCUMENT.		DWN ANDY LI 06MAY2020	TE Connectivity	
DIMENSIONS: mm		CHK -		
TOLERANCES UNLESS OTHERWISE SPECIFIED:		APVD SUNY ZHAO 06MAY2020	NAME 10.3MM ROUND SOCKET, VERTICAL	
0 PLC ±		PRODUCT SPEC 108-128111	SIZE CAGE CODE DRAWING NO RESTRICTED TO	
1 PLC ±0.5		APPLICATION SPEC 114-128112	A2 00779 C-2368390-1	
2 PLC ±0.15		WEIGHT -	SCALE 3:1 SHEET OF REV A	
3 PLC ±0.05		CUSTOMER DRAWING		
4 PLC ±0.0001				
ANGLES ±				
FINISH SEE NOTE 2				
MATERIAL SEE NOTE 1				