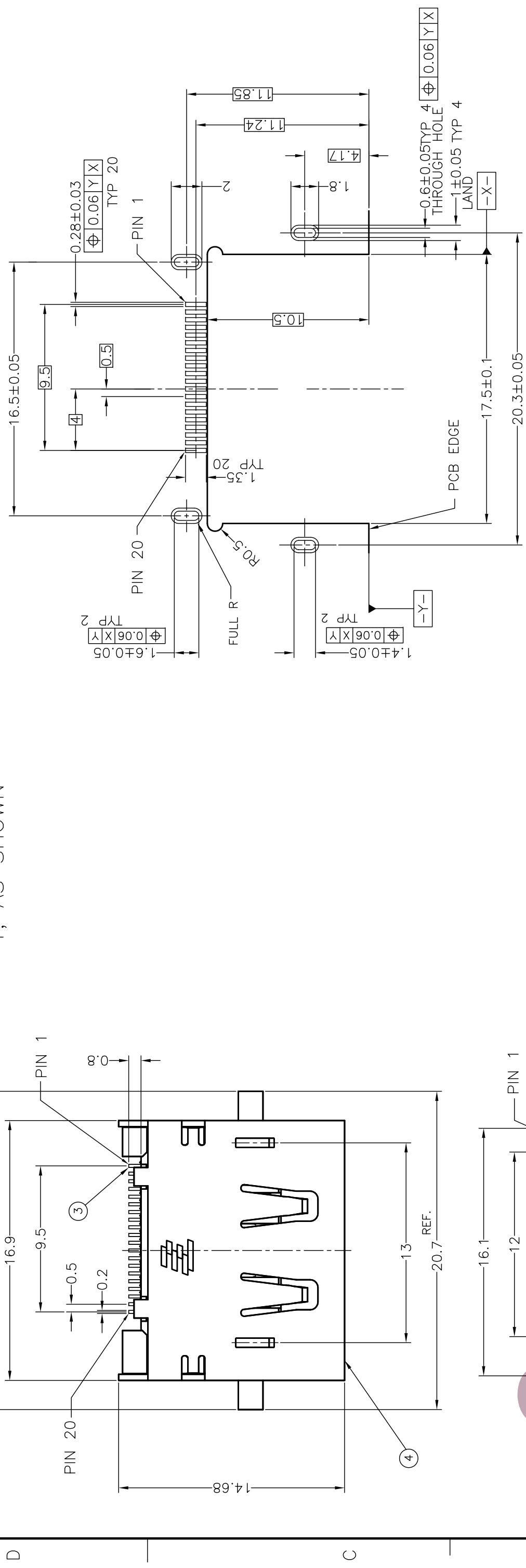
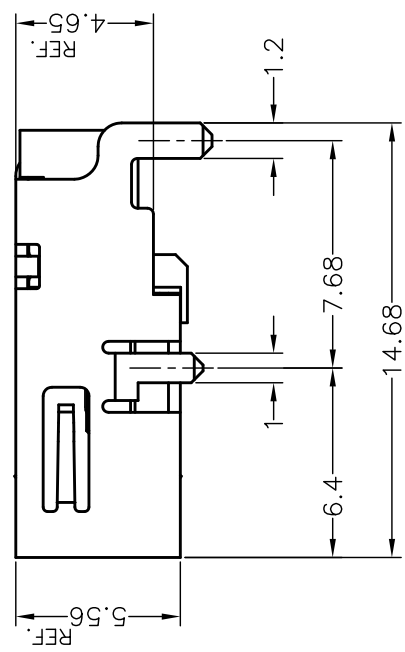


THIS DRAWING IS UNPUBLISHED. RELEASED FOR PUBLICATION. ALL RIGHTS RESERVED.		REVISED (ECR-12-010740)		DATE		DWN		APVD	
LOC DW		DESCRIPTION		30MAR2012		B.W		M.C	
DIST		REVISED (ECR-12-010740)		30MAR2012		B.W		M.C	
P LTR		C		30MAR2012		B.W		M.C	

-1; AS SHOWN



RECOMMENDED PCB LAYOUT



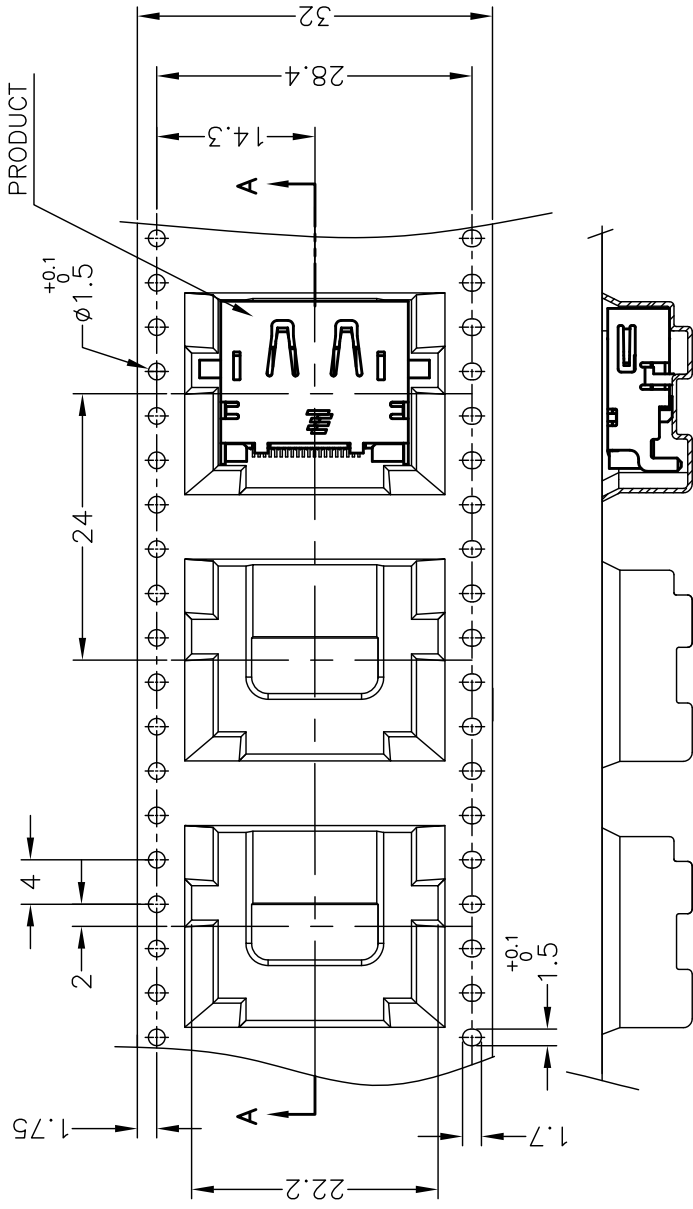
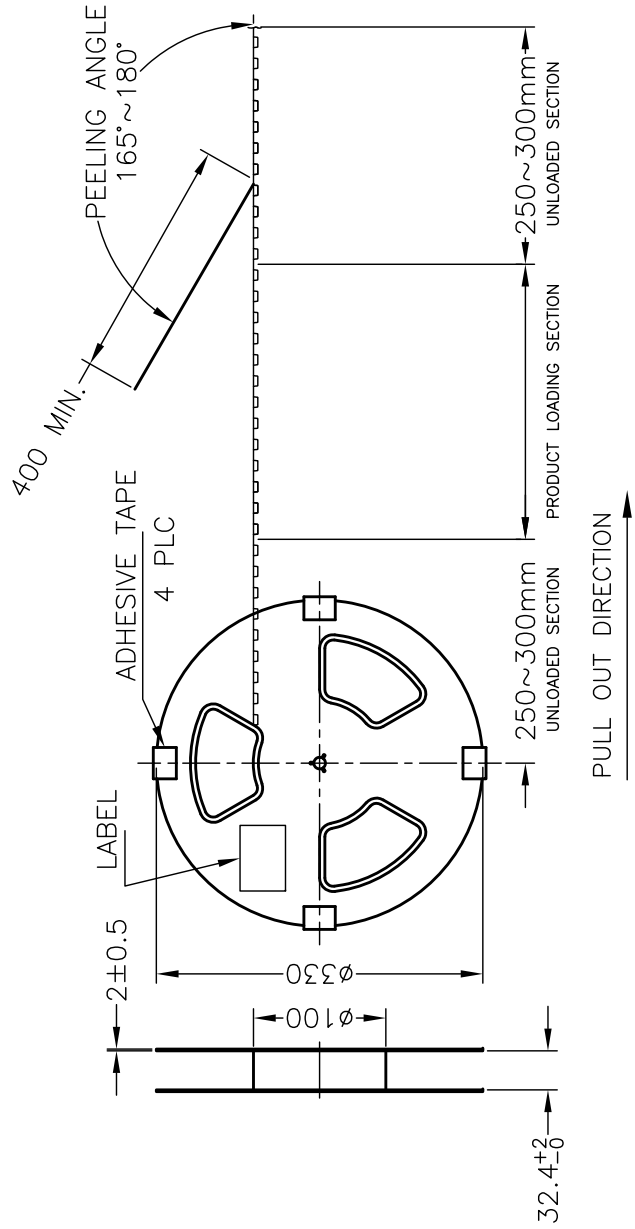
④	SHELL	STAINLESS STEEL	Ni PLATING OVERALL	1	QTY.
③	CONTACT	COPPER ALLOY	Au 10u" OVER Ni	20	
②	MYLAR	POLYIMID FILM		1	
①	HOUSING	HIGH TEMP. BLACK THERMOPLASTIC		1	
NO	DESCRIPTION	△ MATERIAL	FINISH		

DWN U.CHUANG		16NOV2010	TE Connectivity	
CHK V.PENG		16NOV2010	SMT TYPE, OFFSET CL 1.35	
APVD H.KODAMA		16NOV2010	DISPLAYPORT RECEPTACLE CONNECTOR	
PRODUCT SPEC		APPLICATION SPEC	SIZE	RESTRICTED TO
WEIGHT 2.0 g		WEIGHT 2.0 g	A3 00779	
CUSTOMER DRAWING		CAGE CODE	DRAWING NO	
SCALE 4:1		SCALE 4:1	SHEET 1 of 2	REV C

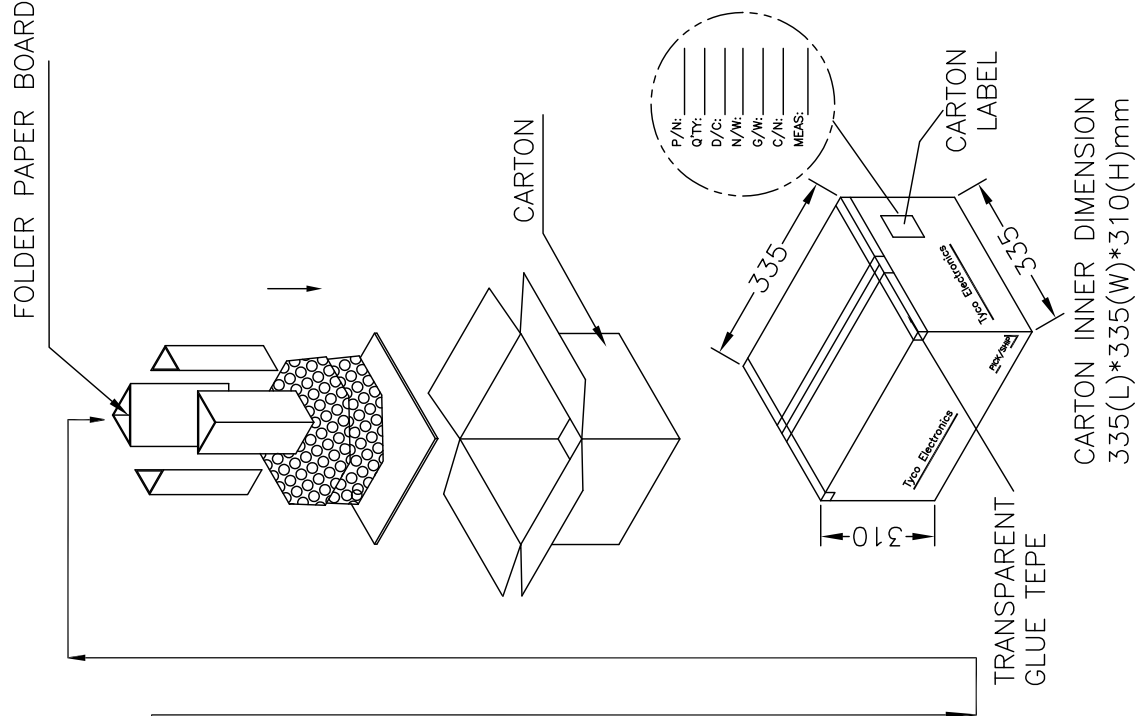
OBSOLETE NOT the LAST REVISION

THIS DRAWING IS UNPUBLISHED. RELEASED FOR PUBLICATION JAN , 2008.
 © COPYRIGHT 2008 By -- ALL RIGHTS RESERVED.

LOC	DW	DIST	
P	LTR	DATE	DWN
			APVD
REVISIONS			
		DESCRIPTION	
		SEE SHEET 1	



1. PACKING MATERIAL :
 - 1.1 EMBOSSED CARRIER: PS
 - 1.2 COVER TAPE: PE
 - 1.3 SHIPPING CARTON: CORRUGATED FIBER
2. QUANTITY :
 - 2.1 PRIMARY PACKING: 300PCS/REEL
 - 2.2 SECONDARY PACKING: 8 REELS/CARTON (2400 PCS/CRTON)
3. WEIGHT :
 - 3.2 NET WEIGHT: 1.88g/PCS, 0.564kg/REEL, 4.512kg/CARTON.
 - 3.1 GROSS WEIGHT: 8.622kg/CARTON.
4. PEELING RESISTANCE: 0.1~0.7N(10.2gf~71.4gf).
5. PEELING SPEED: 300mm/minutes.
6. CARRIER TAPES, COVER TAPES, REELS AND TAPED COMPONENTS MUST MEET THE REQUIREMENTS DEFINED PER EIA-481-B



TOTAL
8 LAYERS

THIS DRAWING IS A CONTROLLED DOCUMENT.		DWN	
DIMENSIONS: mm		CHK	
TOLERANCES UNLESS OTHERWISE SPECIFIED:		APVD	
0 PLC	± 0.5	PRODUCT SPEC	
1 PLC	± 0.5	APPLICATION SPEC	
2 PLC	± 0.5	WEIGHT	
3 PLC	± 0.5		
4 PLC	± 0.5		
ANGLES	± 3°		
FINISH			
MATERIAL		CUSTOMER DRAWING	
SCALE		NTS	SHEET 2 of 2
REV			REV C



TE Connectivity

SMT TYPE, OFFSET CL 1.35
 DISPLAYPORT RECEPTACLE CONNECTOR

SIZE: A3
 CAGE CODE: 00779
 DRAWING NO: 2129250

RESTRICTED TO