

MATERIALS AND FINISHES

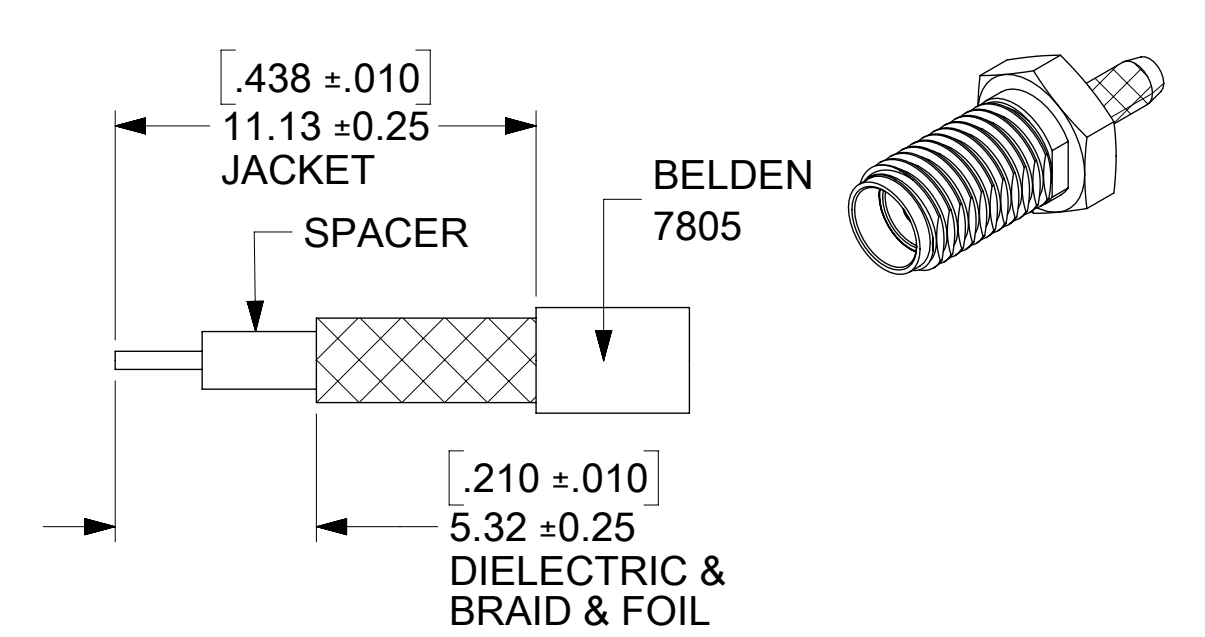
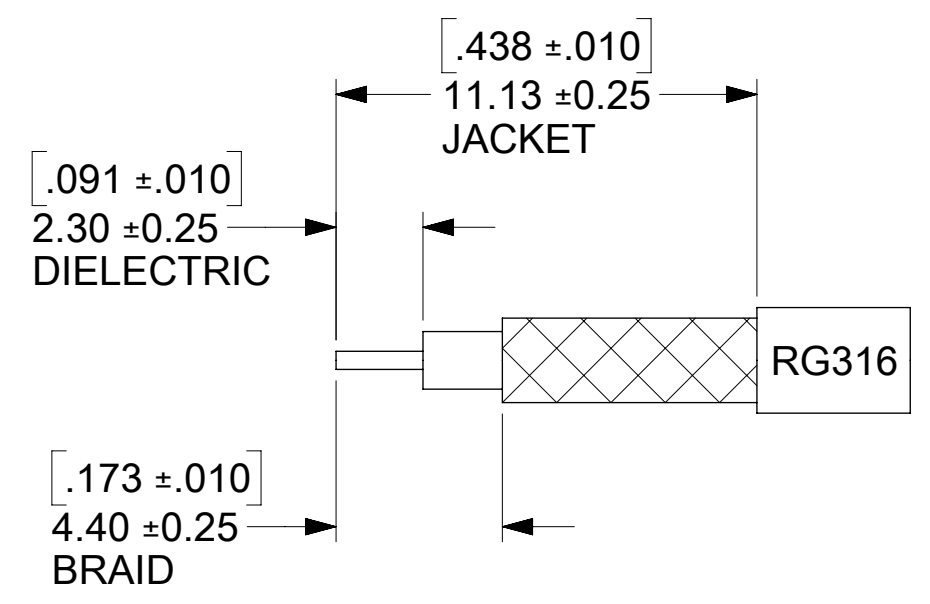
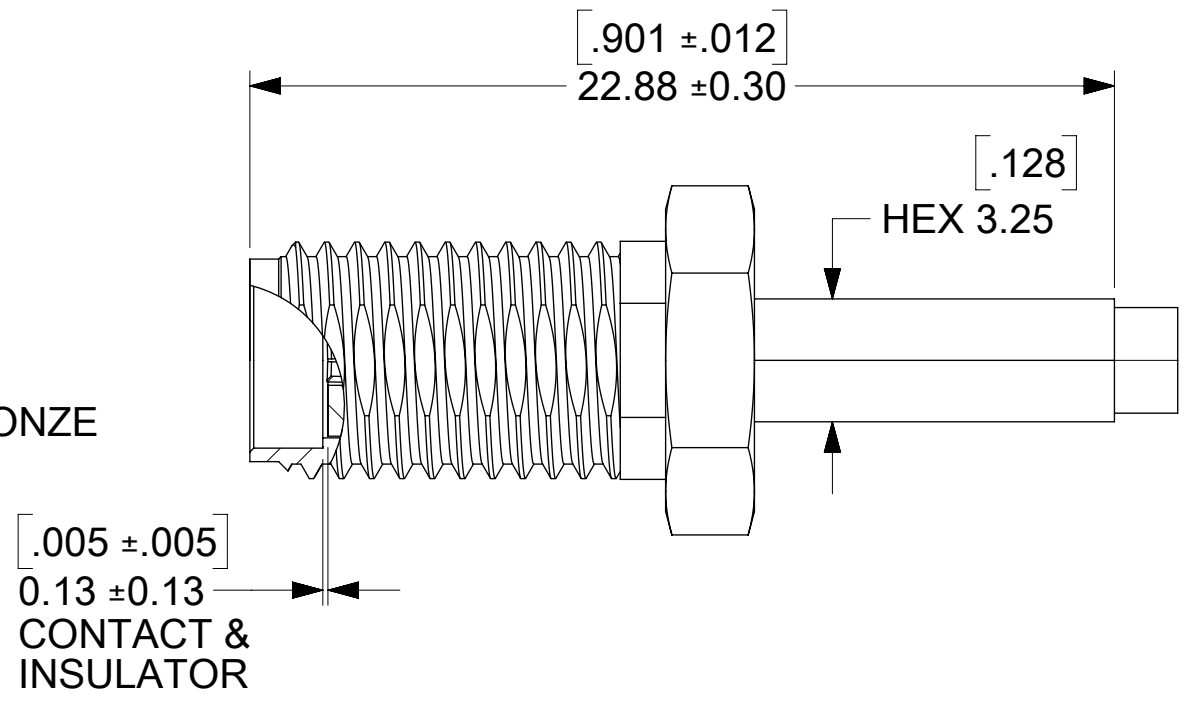
BODY, CRIMP TUBE: BRASS
PLATED SEE TABLE

CONTACT: BERYLLIUM COPPER
PLATED SEE TABLE

LOCK WASHER: PHOSPHOR BRONZE
PLATED SEE TABLE

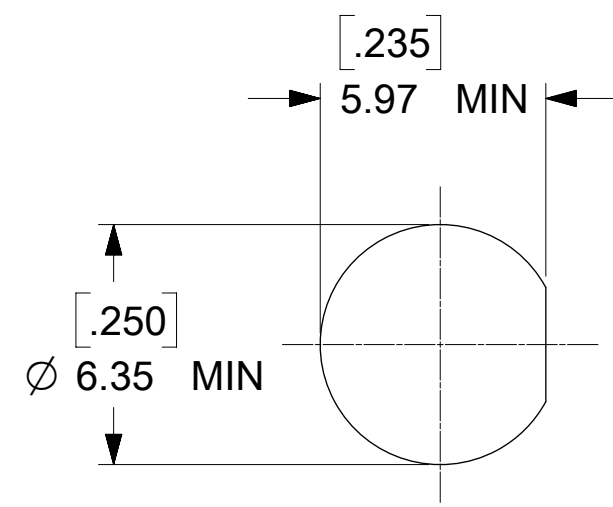
JAM NUT: BRASS
PLATED SEE TABLE

INSULATOR, SPACER: TEFLON

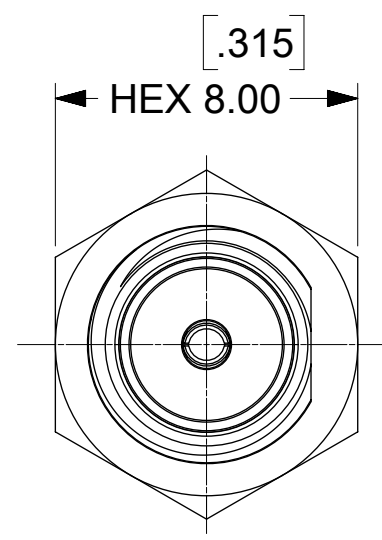


CABLE STRIPPING DIMENSIONS FOR -0260 THRU -0262 & -0264 & -0266

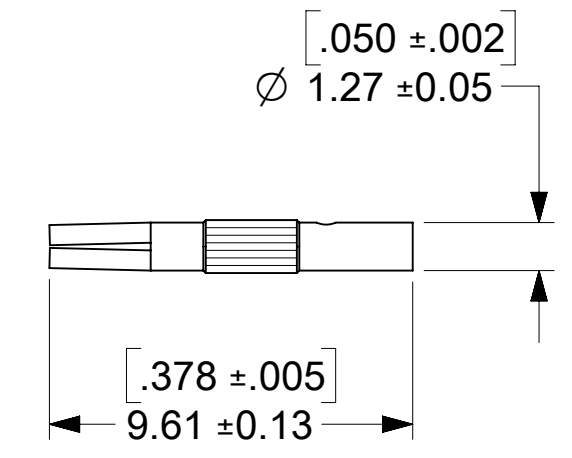
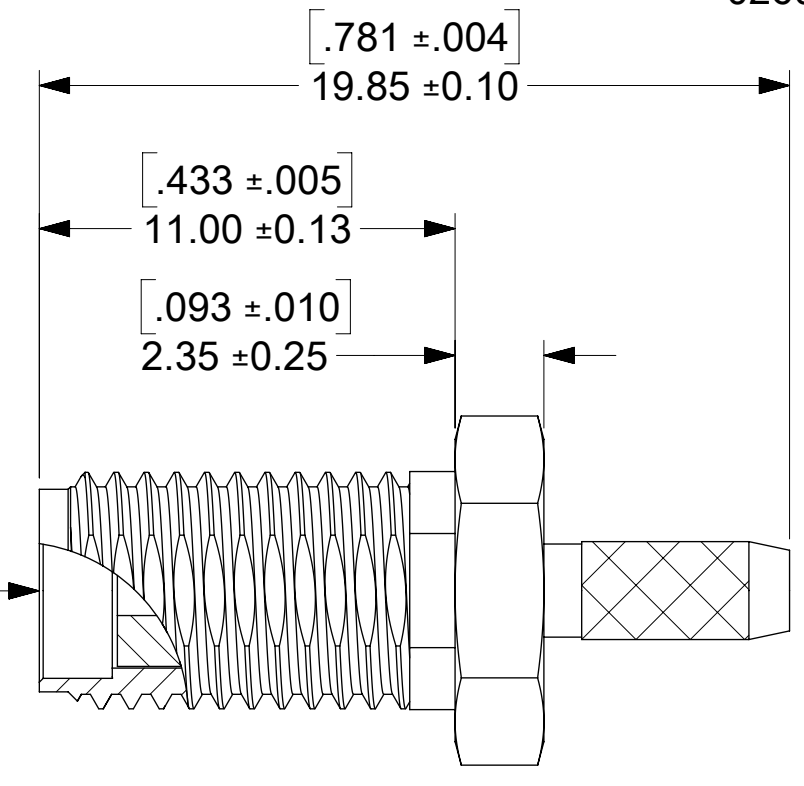
CABLE STRIPPING DIMENSIONS FOR -0263 ONLY



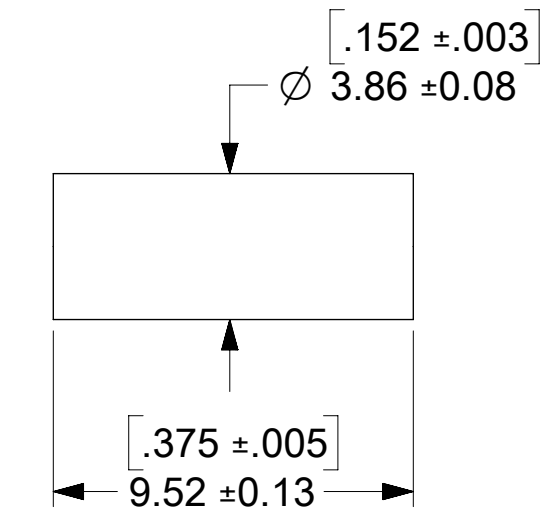
RECOMMENDED PANEL CUTOUT
MAX PANEL THICKNESS 3.18 (.125)



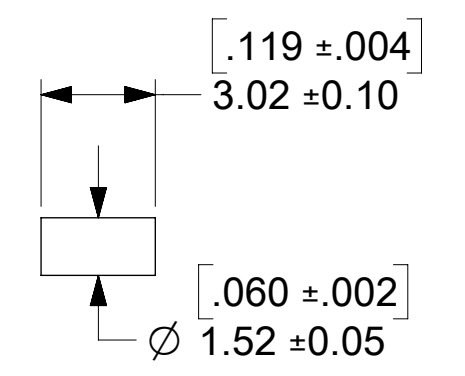
SMA JACK INTERFACE



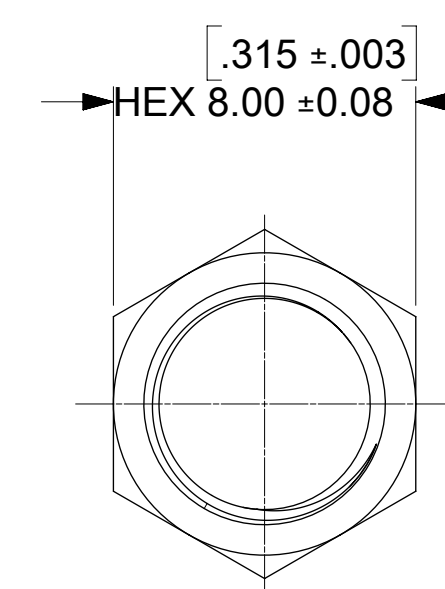
CONTACT



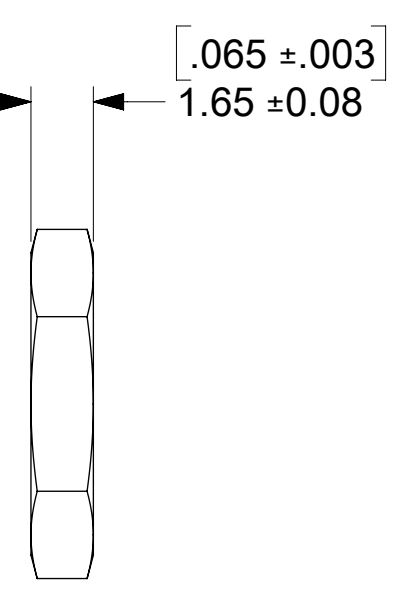
CRIMP TUBE



SPACER FOR -0263 ONLY



JAM NUT



LOCK WASHER

73391-0266	GOLD (FLASH)	GOLD (10 MICRO-IN MIN)	GOLD (FLASH)	GOLD (10 MICRO-IN MIN)
73391-0265	GOLD (30 MICRO-IN MIN)	GOLD (30 MICRO-IN MIN)	GOLD (30 MICRO-IN MIN)	GOLD (30 MICRO-IN MIN)
73391-0264	GOLD (FLASH)	GOLD (FLASH)	GOLD (FLASH)	GOLD (10 MICRO-IN MIN)
73391-0263	GOLD (10 MICRO-IN MIN)	GOLD (30 MICRO-IN MIN)	NOT INCLUDING	NOT INCLUDING
73391-0262	GOLD (10 MICRO-IN MIN)	GOLD (30 MICRO-IN MIN)	NOT INCLUDING	NOT INCLUDING
73391-0261	GOLD (FLASH)	GOLD (10 MICRO-IN MIN)	NOT INCLUDING	NOT INCLUDING
73391-0260	GOLD (FLASH)	GOLD (10 MICRO-IN MIN)	GOLD (FLASH)	GOLD (10 MICRO-IN MIN)
PART NO.	BODY/CRIMP TUBE	CONTACT	JAM NUT	LOCK WASHER

73391-0266	50PCS PER BAG	50PCS PER BAG
73391-0265	50PCS PER BAG	250PCS PER BAG
73391-0264	50PCS PER BAG	250PCS PER BAG
73391-0263	50PCS PER BAG	NOT INCLUDING
73391-0262	50PCS PER BAG	NOT INCLUDING
73391-0261	50PCS PER BAG	NOT INCLUDING
73391-0260	50PCS PER BAG	250PCS PER BAG
PART NO.	CONNECTOR PACKAGING	ACCESSORIES PACKAGING

PS-89675-346	ELEC/MECH PERFORMANCE
SPECIFICATION	DESCRIPTION

FUNCTIONAL SYMBOLS FA=0 EA=0 EP=0	THIS DRAWING CONTAINS INFORMATION THAT IS PROPRIETARY TO MOLEX ELECTRONIC TECHNOLOGIES, LLC AND SHOULD NOT BE USED WITHOUT WRITTEN PERMISSION		CURRENT REV DESC: EWR # 15667-A : ADDED -0266	
	DIMENSION UNITS	SCALE	PART NO	
	MM/INCH	NTS	EC NO: 738061	
	GENERAL TOLERANCES (UNLESS SPECIFIED)		DRWN: JSU18 2023/02/08	
ANGULAR TOL ± °		CHK'D: YCHENG 2023/02/21		
4 PLACES ±		APPR: YCHENG 2023/02/21		
3 PLACES ±		INITIAL REVISION:		
2 PLACES ±		DRWN: AROBERTSON 2007/04/09		
1 PLACE ±		APPR: JWIENER 2007/04/09		
0 PLACES ±		THIRD ANGLE PROJECTION		
DRAFT WHERE APPLICABLE MUST REMAIN WITHIN DIMENSIONS		DRAWING	SERIES	MATERIAL NUMBER
		C-SIZE	73391	SEE TABLE
		CUSTOMER		SHEET NUMBER
		GENERAL MARKET		1 OF 3

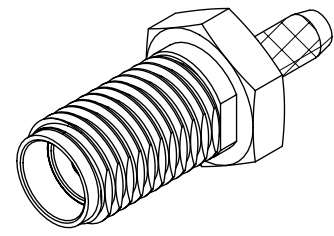


SMA JACK STR BKHD RM FOR RG316/RG174
SMA-JC

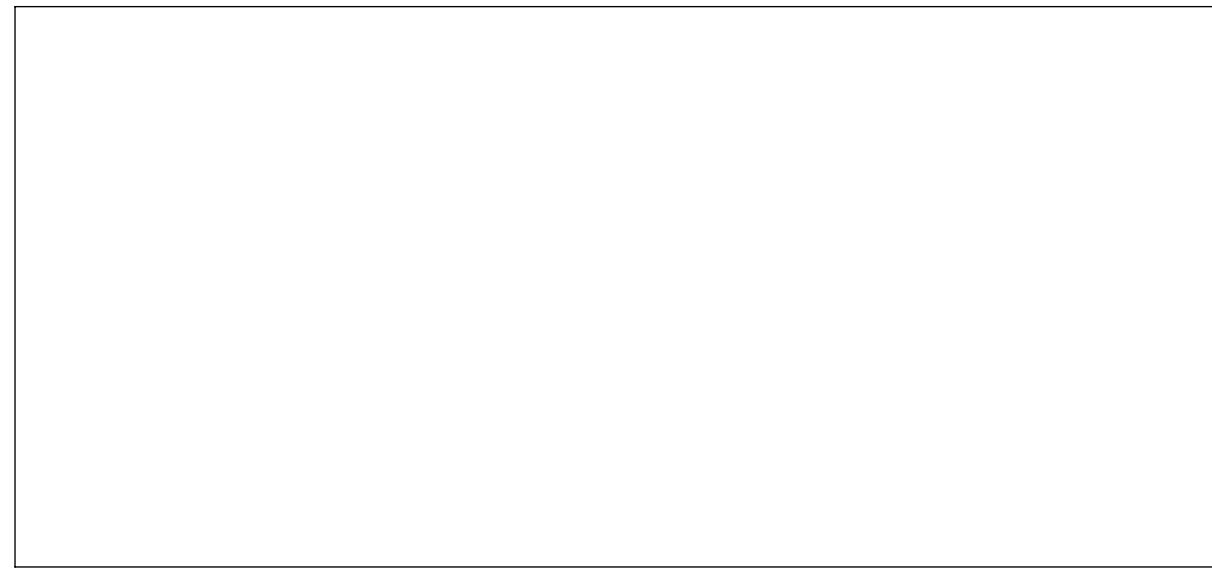
PRODUCT CUSTOMER DRAWING

DOCUMENT NUMBER
SD-73391-026

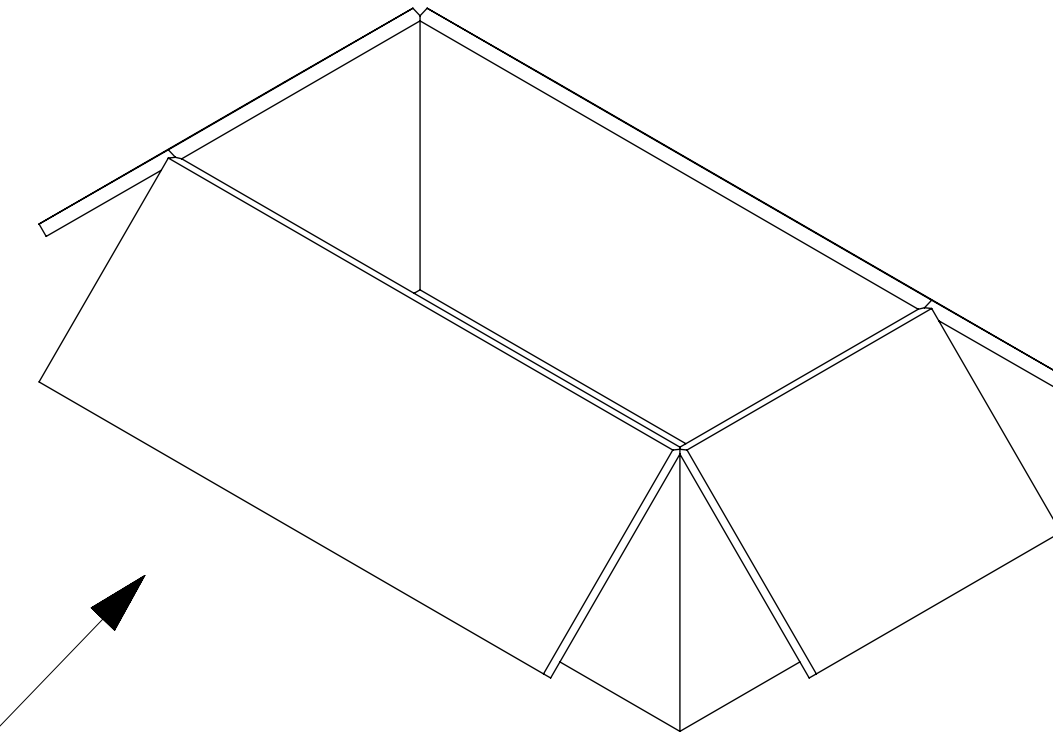
DOC TYPE DOC PART REVISION
PSD 000 B9



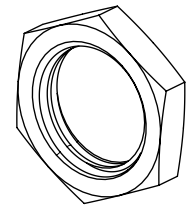
P/N: 73391-0260
 73391-0261
 73391-0262
 73391-0263
 73391-0264
 73391-0265



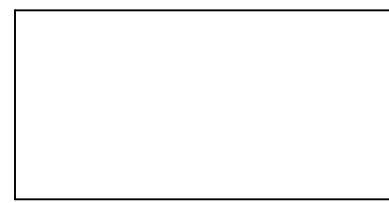
50 SET PER BAG
 P/N: 89707-0174



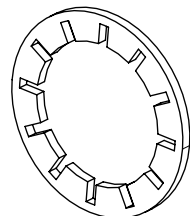
250 SET PER INNER
 CARTON BOX
 P/N: 89499-9026



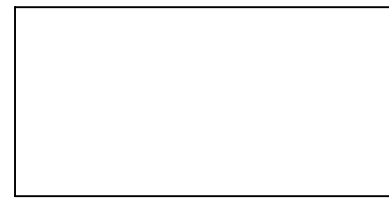
JAM NUT



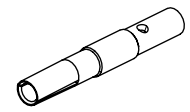
250 SET PER BAG



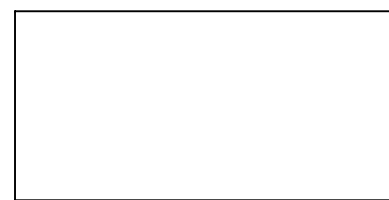
LOCK WASHER



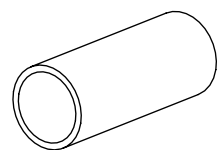
250 SET PER BAG



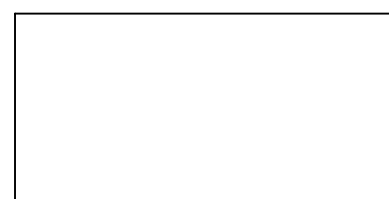
CONTACT



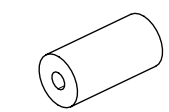
250 SET PER BAG



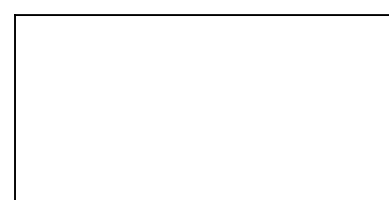
CRIMP TUBE



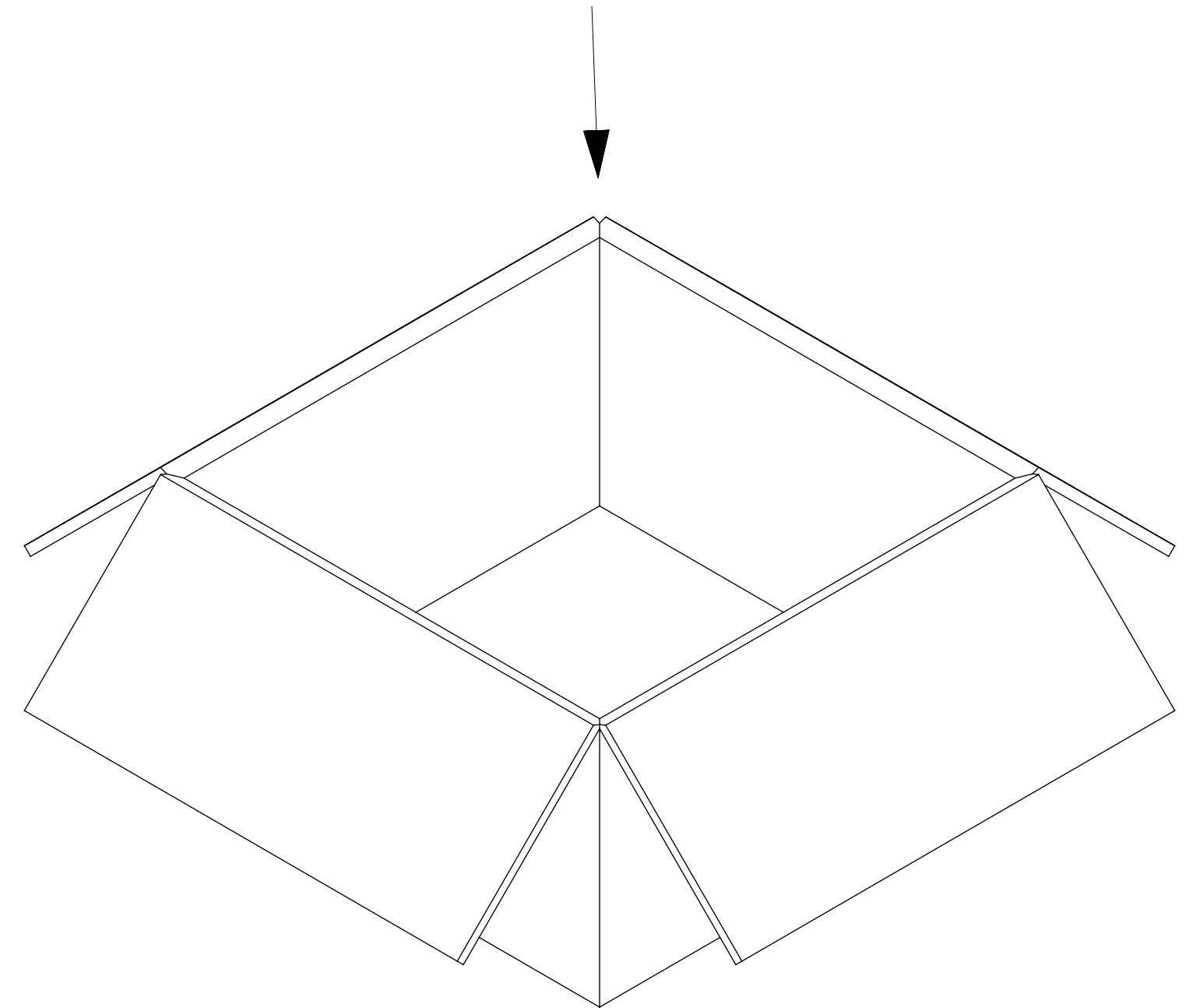
250 SET PER BAG



SPACER
 FOR -0263 ONLY



250 SET PER BAG



500 SET PER OUTER
 CARTON BOX
 P/N: 89499-9027

FUNCTIONAL SYMBOLS	THIS DRAWING CONTAINS INFORMATION THAT IS PROPRIETARY TO MOLEX ELECTRONIC TECHNOLOGIES, LLC AND SHOULD NOT BE USED WITHOUT WRITTEN PERMISSION									
	DIMENSION UNITS	SCALE	CURRENT REV DESC: EWR # 15667-A : ADDED -0266							
$\frac{E}{A} = 0$	MM/INCH	NTS	EC NO: 738061							
$\frac{E}{C} = 0$	GENERAL TOLERANCES (UNLESS SPECIFIED)		DRWN: JSU18 2023/02/08							
$\frac{E}{P} = 0$	ANGULAR TOL ± °		CHK'D: YCHENG 2023/02/21							
DIVISIONAL SYMBOLS	4 PLACES ±		APPR: YCHENG 2023/02/21							
	3 PLACES ±		INITIAL REVISION:							
	2 PLACES ±		DRWN: AROBERTSON 2007/04/09							
	1 PLACE ±		APPR: JWIENER 2007/04/09							
0 PLACES ±		DRAFT WHERE APPLICABLE MUST REMAIN WITHIN DIMENSIONS		THIRD ANGLE PROJECTION	DRAWING	SERIES	MATERIAL NUMBER	CUSTOMER	SHEET NUMBER	
					C-SIZE	73391	SD-73391-026	GENERAL MARKET	2 OF 3	

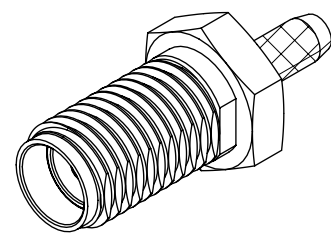
molex

SMA JACK STR BKHD RM FOR RG316/RG174
 SMA-JC

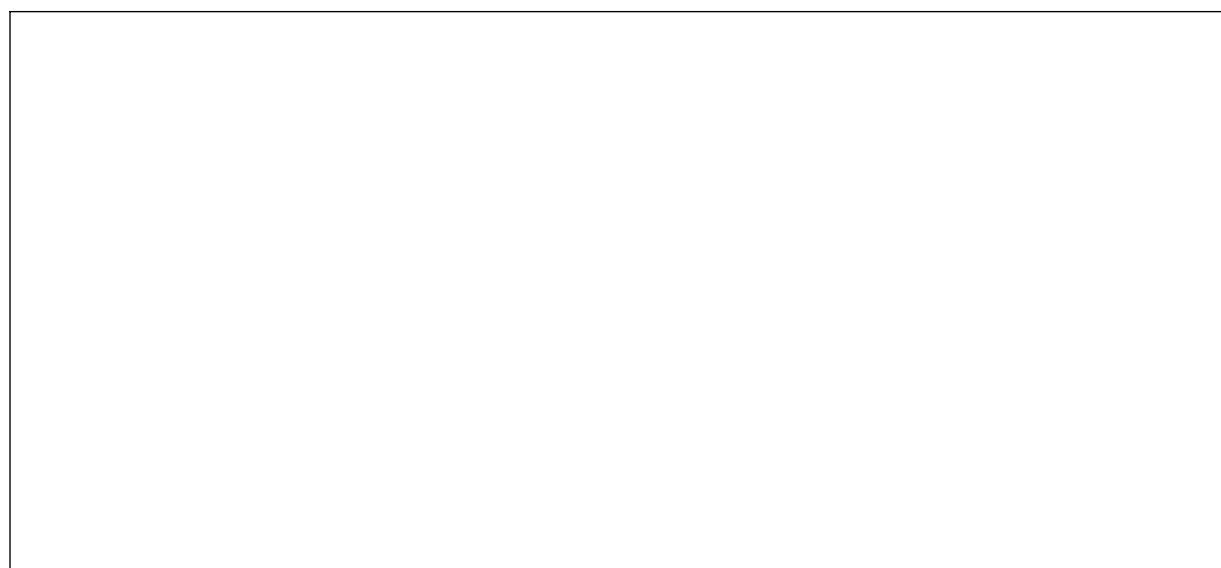
PRODUCT CUSTOMER DRAWING

DOCUMENT NUMBER
 SD-73391-026

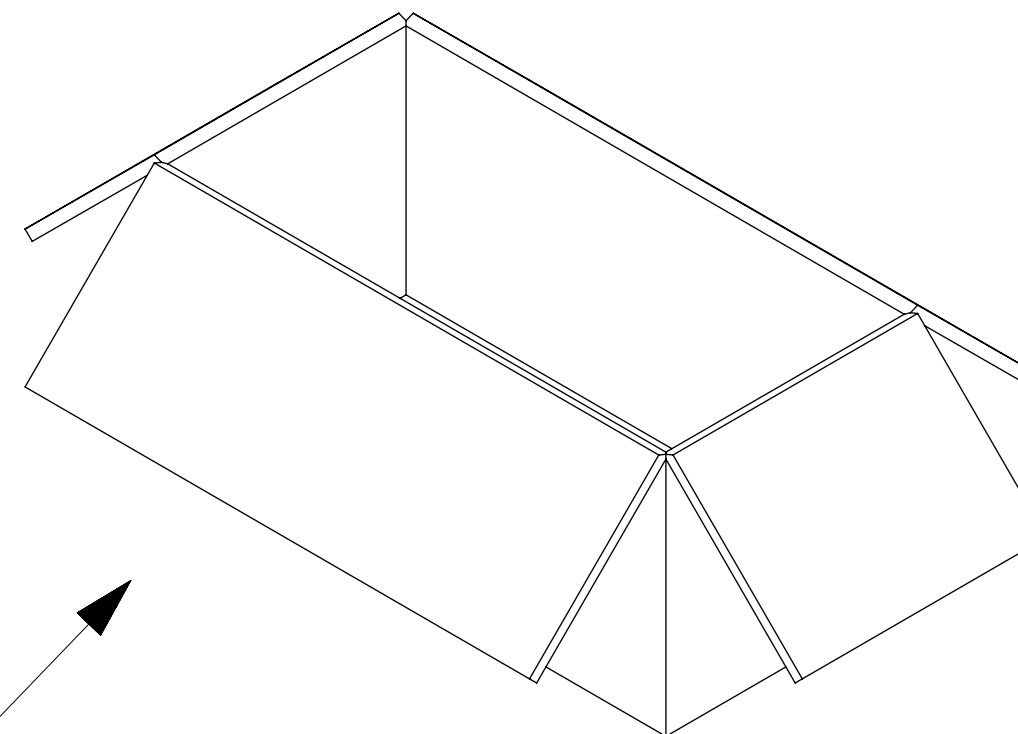
DOC TYPE DOC PART REVISION
 PSD 000 B9



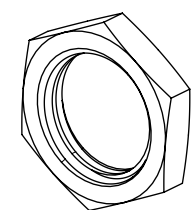
P/N: 73391-0266



50 SET PER BAG
P/N: 89707-0174



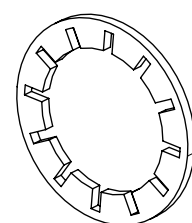
250 SET PER INNER
CARTON BOX
P/N: 89499-9026



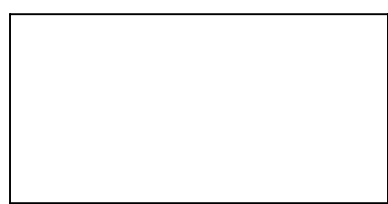
JAM NUT



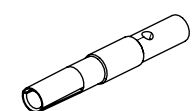
50 SET PER BAG



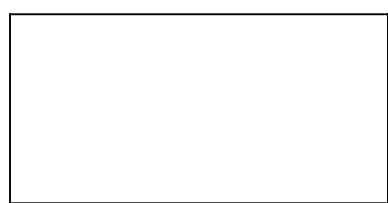
LOCK WASHER



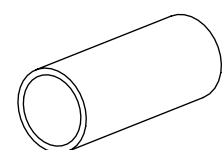
50 SET PER BAG



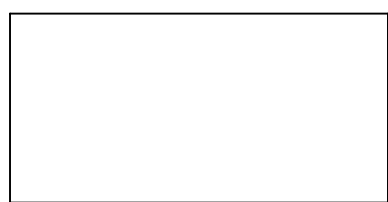
CONTACT



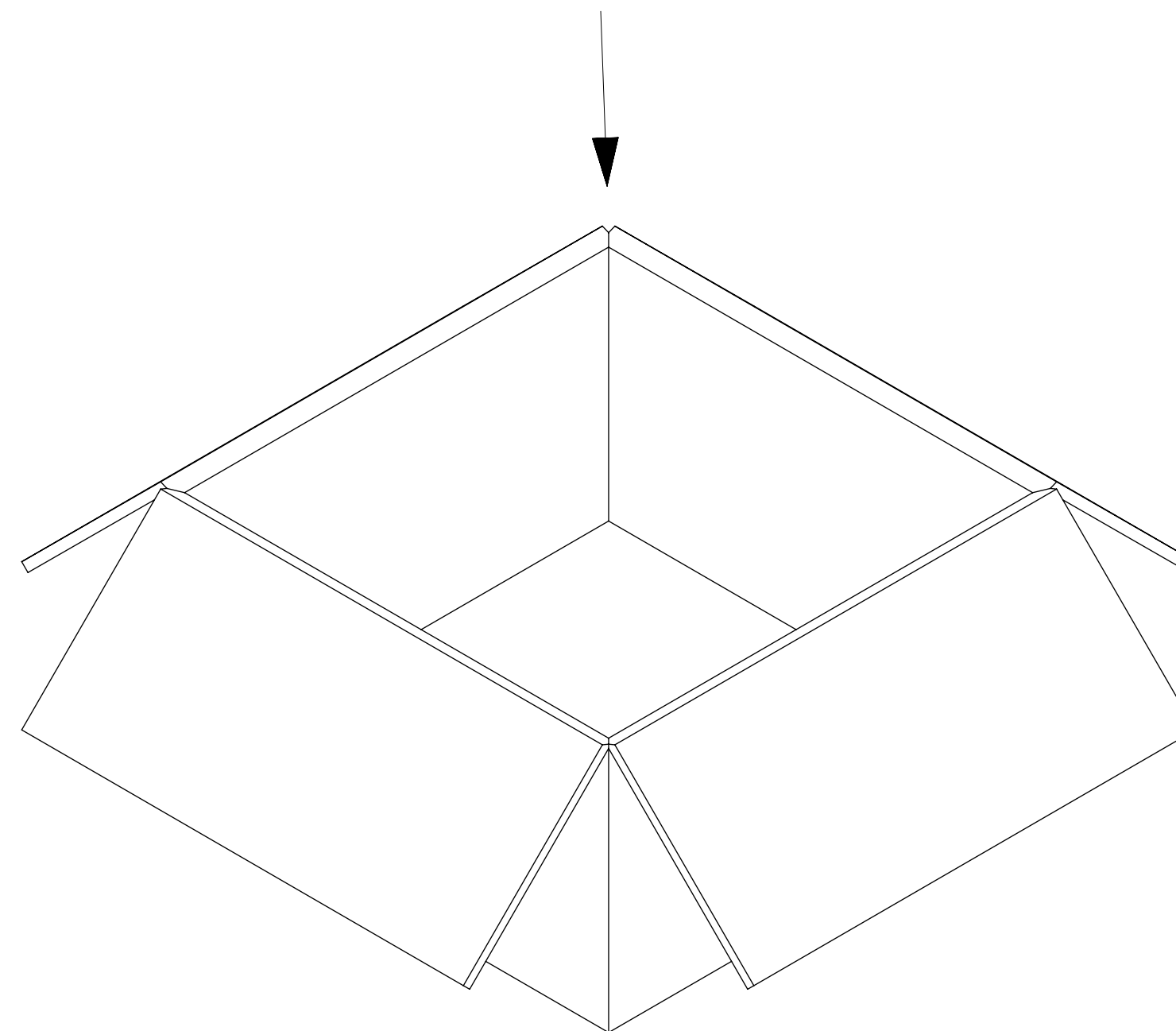
50 SET PER BAG



CRIMP TUBE



50 SET PER BAG



500 SET PER OUTER
CARTON BOX
P/N: 89499-9027

FUNCTIONAL SYMBOLS	THIS DRAWING CONTAINS INFORMATION THAT IS PROPRIETARY TO MOLEX ELECTRONIC TECHNOLOGIES, LLC AND SHOULD NOT BE USED WITHOUT WRITTEN PERMISSION										
	DIMENSION UNITS	SCALE	CURRENT REV DESC: EWR # 15667-A : ADDED -0266							molex	
	$\frac{F}{A} = 0$	MM/INCH NTS	PART NO								
	GENERAL TOLERANCES (UNLESS SPECIFIED)										SMA JACK STR BKHD RM FOR RG316/RG174 SMA-JC
DIVISIONAL SYMBOLS	ANGULAR TOL		±	°	EC NO: 738061					PRODUCT CUSTOMER DRAWING	
	4 PLACES		±		DRWN: JSU18			2023/02/08		DOCUMENT NUMBER	
	3 PLACES		±		CHK'D: YCHENG			2023/02/21		DOC TYPE	
	2 PLACES		±		APPR: YCHENG			2023/02/21		DOC PART	
1 PLACE		±		INITIAL REVISION:					REVISION		
0 PLACES		±		DRWN: AROBERTSON			2007/04/09		SD-73391-026		
DRAFT WHERE APPLICABLE MUST REMAIN WITHIN DIMENSIONS		THIRD ANGLE PROJECTION		DRAWING		SERIES		MATERIAL NUMBER		CUSTOMER	
				C-SIZE		73391		GENERAL MARKET		SHEET NUMBER	
										3 OF 3	

DOCUMENT STATUS	P1	RELEASE DATE	2023/02/21	04:15:15
-----------------	----	--------------	------------	----------