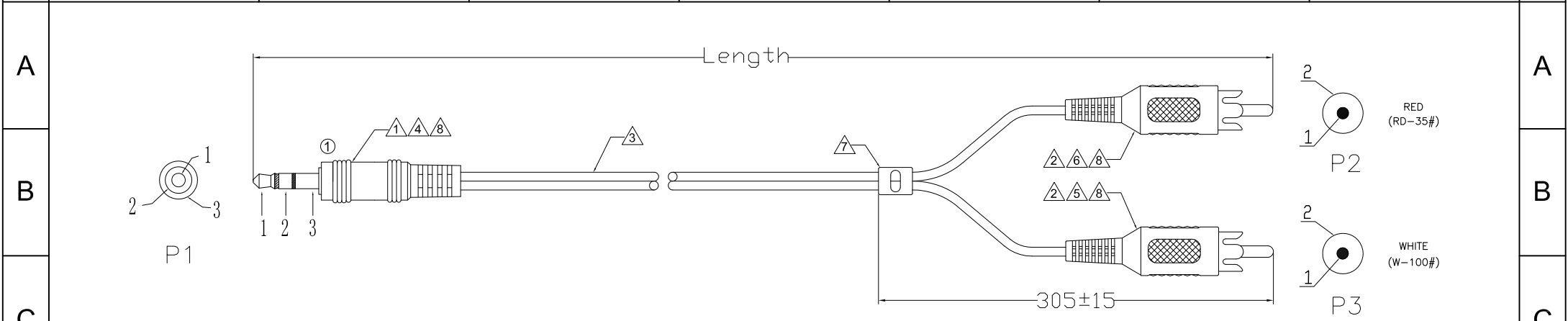
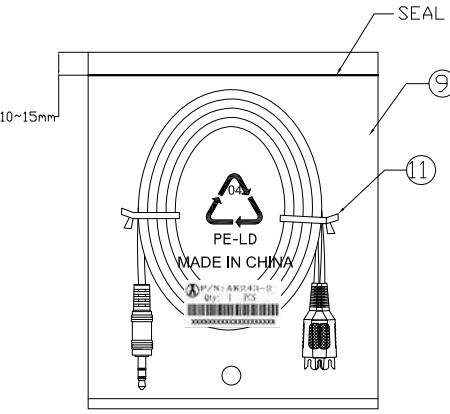


1 2 3 4 5 6 7



WSW P/N	Length	⑨ PE BAG	⑩ PE BAG
AK243-2	2000±30	130*230*0.05mm	280*330*0.05mm
AK243-10	10000±100	210*250*0.05mm	360*380*0.05mm
AK243-015	1500±50	130*230*0.05mm	280*330*0.05mm
AK243-025	2500±50	130*230*0.05mm	280*330*0.05mm
AK243-050	5000±50	150*280*0.05mm	280*330*0.05mm

Electrical test:
 1.100% short,open,miswire test
 2.Conduct resistance:5 Ohm(max)
 3.Insulation resistance:5Mohm(min)
 4.dielectric test:DC 300V



PIN ASSIGNMENT:

P1	P2	P3	COLOR
1	1		RED
2		1	WHITE
3	2	2	DRAIN(RED) DRAIN(WHITE)

NO.	NAME	Q'TY	SPECIFICATION
11	TIE	2	BLACK
10	PE BAG	1/10	CLEAR PRINT BLACK"MADE IN CHINA"+"10PCS"
9	PE BAG	1	CLEAR PRINT BLACK"MADE IN CHINA"+"1PC"
8	TUBE	3	HEAT SHRINK TUBE BLACK OD1.5*10mm
7	S/R	1.5g	BLACK PVC 40P (Mould NO.:SR-048)
6	IN JACKET	0.8g	CLEAR LD-PE (Mould NO.:NM-006)
	OUT JACKET	3.3g	PVC-40P RED(RD-35),(Mould NO.WM-009)
5	IN JACKET	0.8g	CLEAR LD-PE (Mould NO.:NM-006)
	OUT JACKET	3.3g	PVC-40P WHITE(W-100)(Mould NO.WM-009)
4	OUT JACKET	3.0g	BLACK PVC-40P (Mould NO.:WM-020)
3	CABLE	1	NOUL [(10/0.10)+S(28/0.10)]*2F JACKET BLACK OD2.8*5.6mm
2	CONN	2	RCA PLUG MALE BLOSSOM TYPE NI-PLATED INSULATOR COLOR:BROWN
1	CONN	1	3.5ST MALE Tray6.0mm L=26mm MOLD TYPE NI-PLATED INSULATOR COLOR:BLACK

RoHS compliant
Unit: mm

Scale	Free					Date	Name	Customer-No.
TOLERANCE						Drawn	20.02.2017	Amy
						Approved	06.01.2020	Segal
DIM	TOL	①	Update the SR	06.01.2020	Segal			
		②	Drawn	20.02.2017	Amy			
Angle	TOL	Id.	Modification	Date	Name	Replace		Sheet

AK243-xx	
Drawing-No.	ASS 7856 CA rev01
Replace	Sheet

1 2 3 4 5 6 7