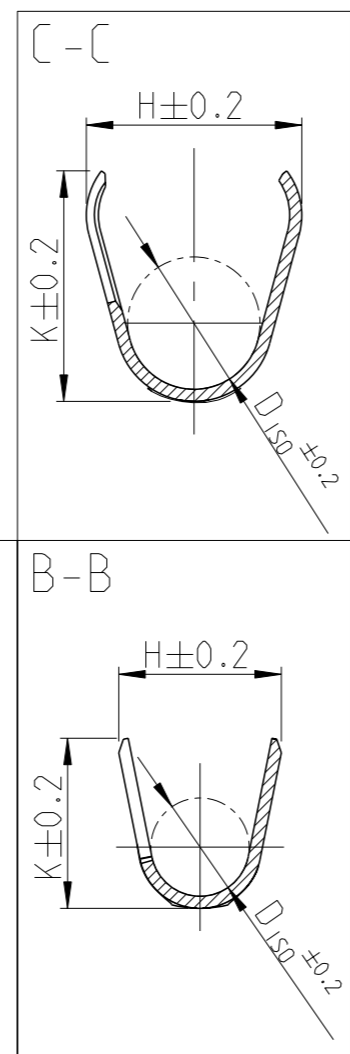
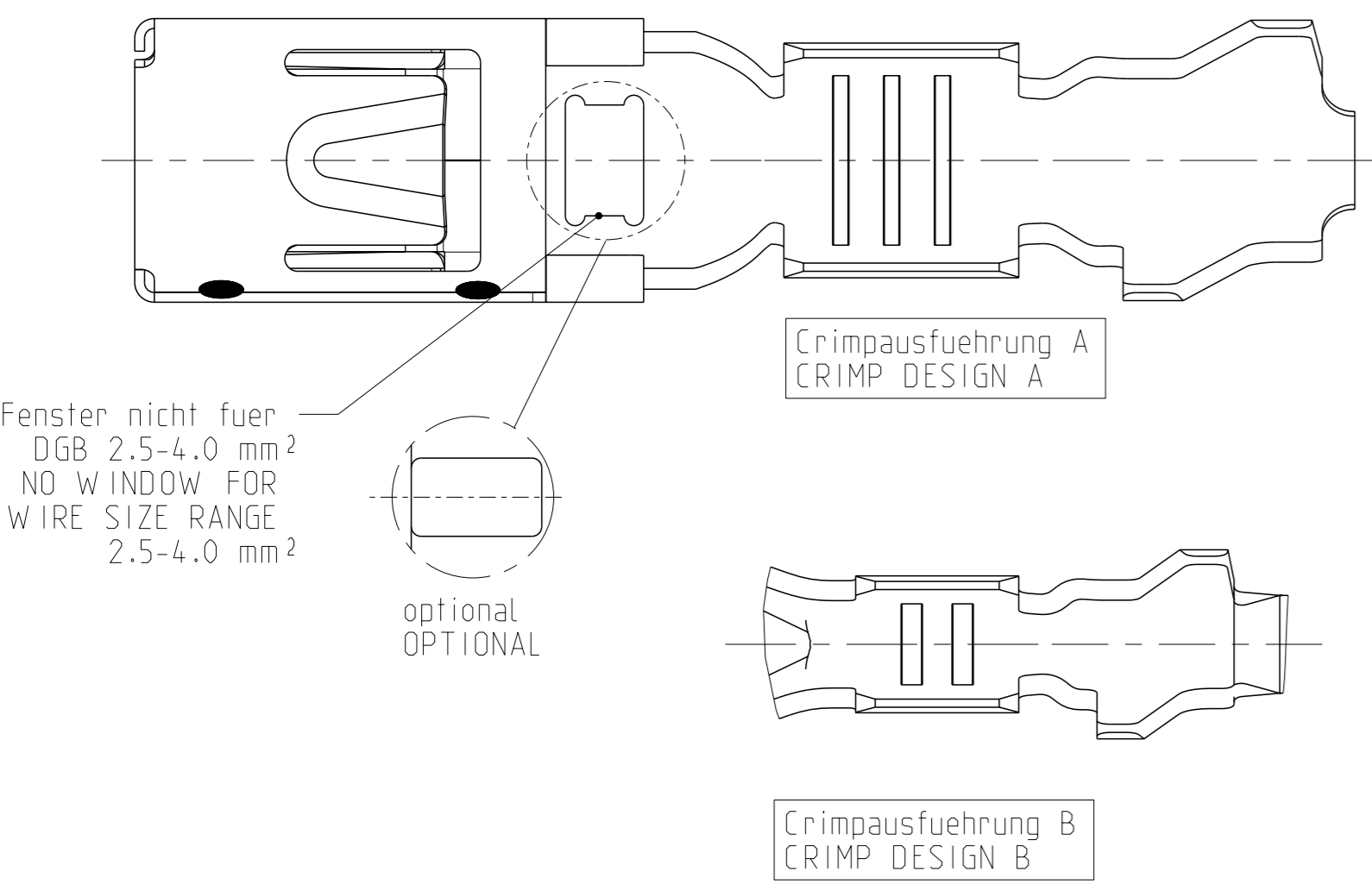
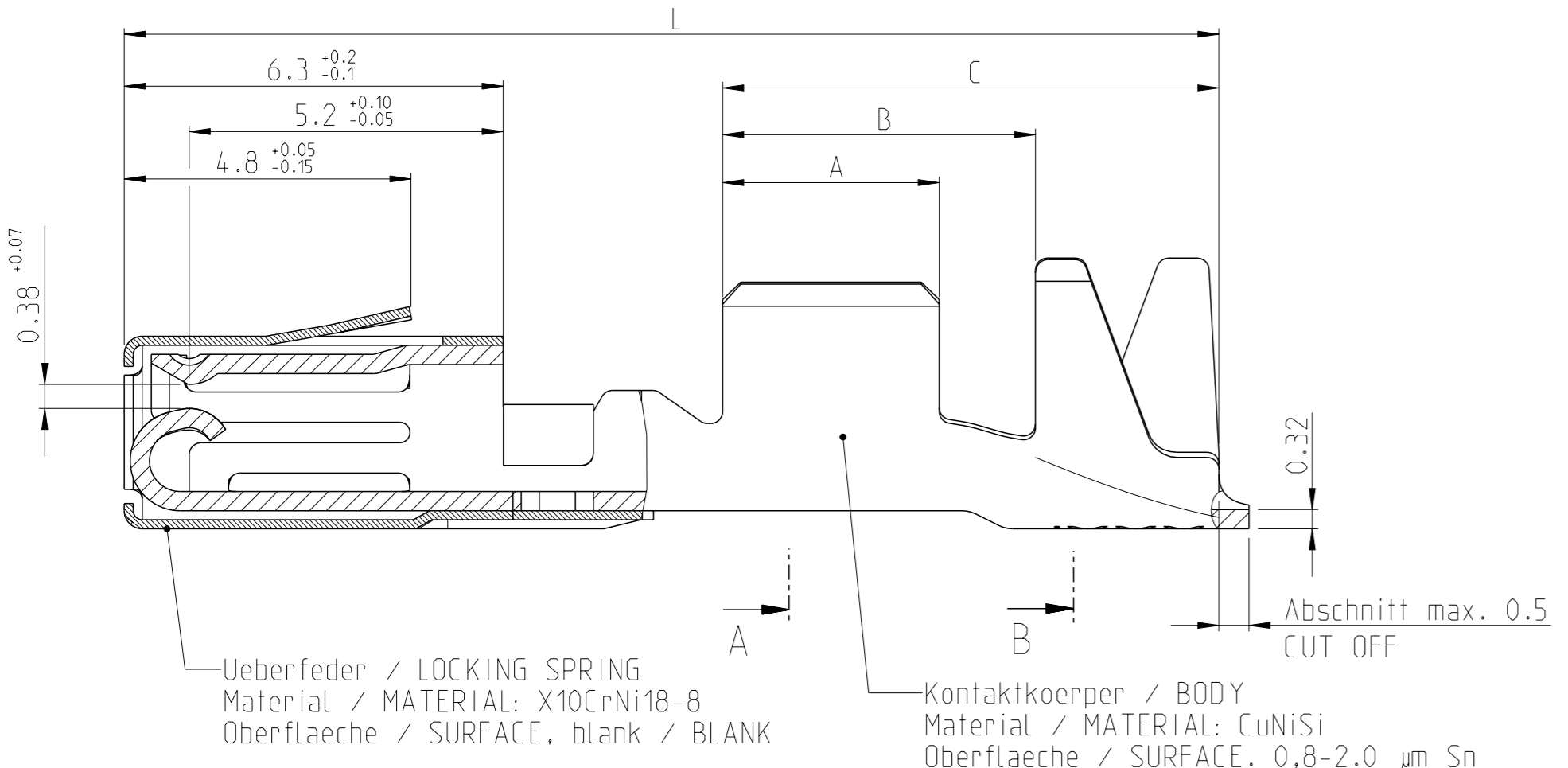


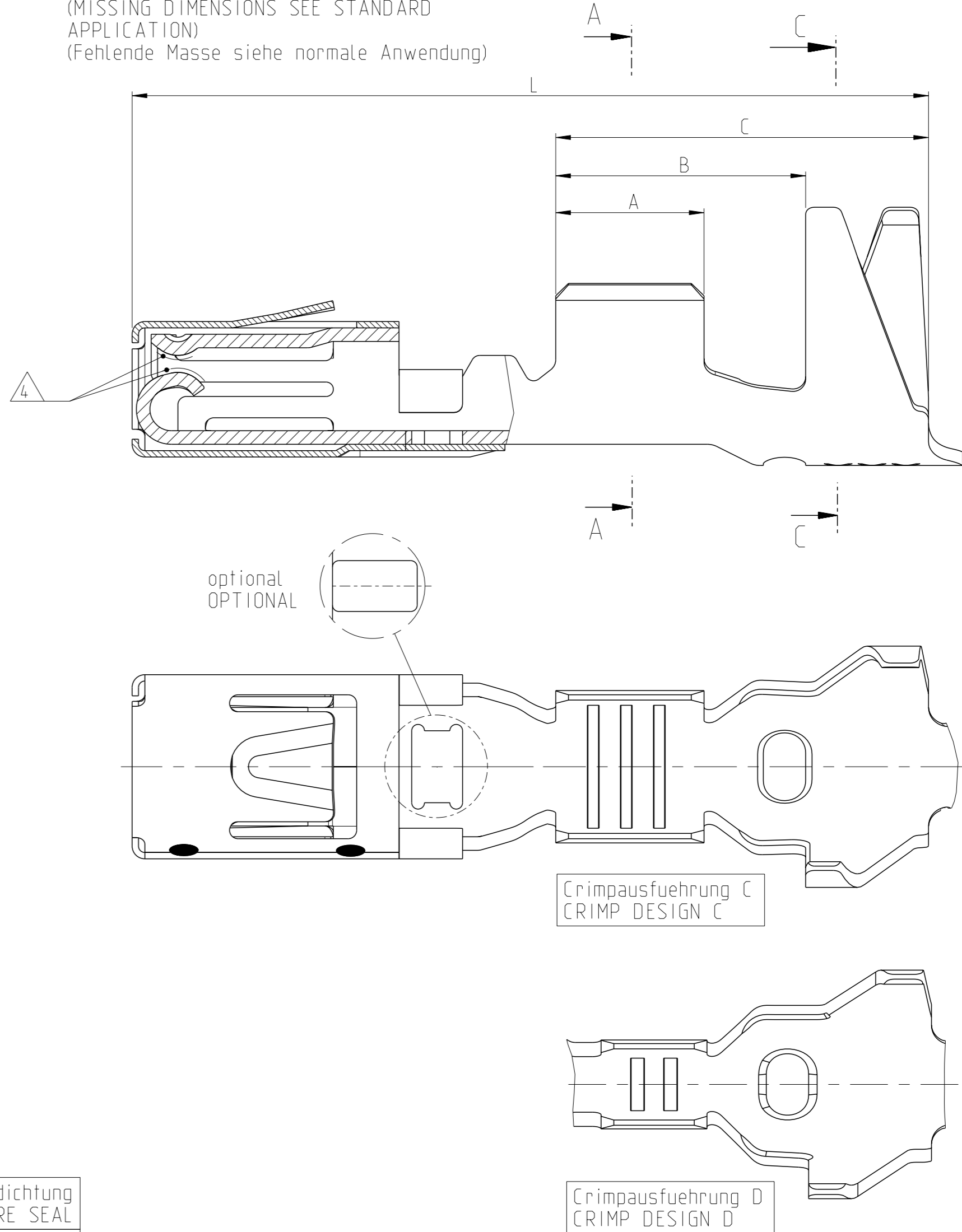
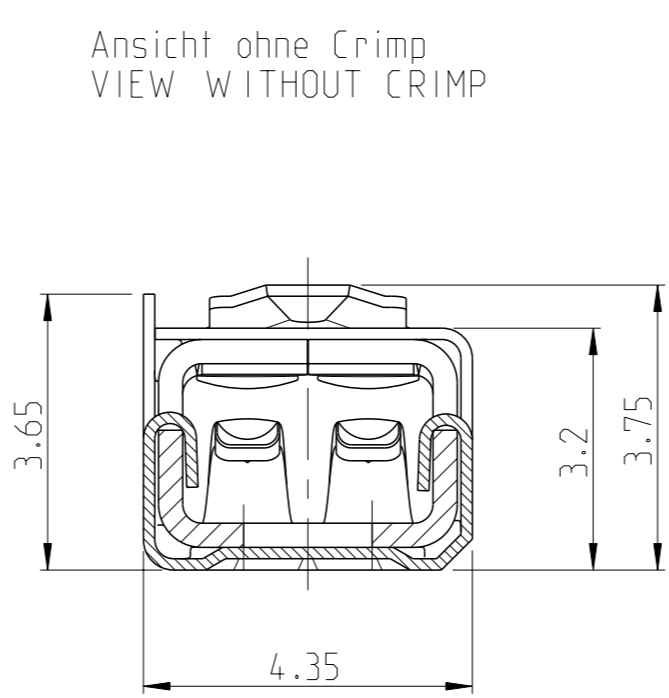
REVISIONS				
#	CL#	DESCRIPTION	DATE	OWN APVD
B10		MATERIAL OF LOCKING SPRING CORRECTED	09OCT2019	BREN SCHI
B11		E-20-000779	15JAN2020	FRAN SCHI
B12		Updated general tolerance	22MAY2020	FRAN SCHI
B13		added PN 968074-3	19JUN2023	FRAN SCHI

Normale Anwendung
STANDARD APPLICATION



Einzeldichtungssystem
SINGLE WIRE SEAL SYSTEM

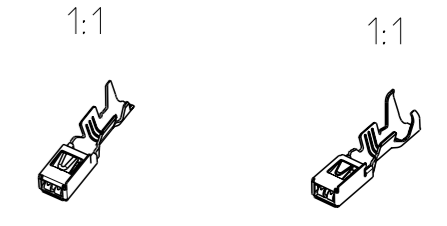
(MISSING DIMENSIONS SEE STANDARD APPLICATION)
(Fehlende Masse siehe normale Anwendung)



SUPERSEDED BY		A	B	C	E	G	D _{Dr}	H	K	D _{ISO}	L	zugehörige Einzeldichtung SUITABLE SINGLE WIRE SEAL			
968120-5	D	4	-	> 1.0-2.5	3.5	5.9	8.8	3.6	3.8	1.7	5.7	6.1	3.5	967609-1	gelb/YELLOW
968120-2	D	-	X	> 0.5-1.0	3.0	5.4	8.3	2.5	2.7	1.2	5.5	5.9	3.3	967610-1	grau/GREY
968119-4	D	6	-	0.35-0.5	2.5	4.9	7.8	2.1	2.1	0.8	5.4	5.7	3.2		
968119-5	D	4	-	> 2.5-4.0	4.0	5.9	9.3	4.5	4.7	2.3	5.4	5.6	3.2		
968119-3	D	5	-	> 1.0-2.5	3.5	5.2	8.25	3.6	3.8	1.7	4.3	4.5	2.6		
968119-2	D	-	X	> 0.5-1.0	3.0	4.6	7.0	2.5	2.7	1.2	3.2	3.4	1.8		
968680-5	B	4	-	0.35-0.5	2.5	3.7	5.8	2.1	2.1	0.8	2.9	2.9	1.4		
968680-2	B	-	X												
1355950-5	-	4	-												
1355950-4	A	6	-												
1355950-3	B	8	-												
1355950-2	B	-	X												
968075-5	D	4	-												
968075-4	A	6	-												
968075-3	B	8	-												
968075-2	D	-	X												
968074-5	D	4	-												
968074-3	A	8	-												
968074-2	D	-	X												
968678-5	B	4	-												
968678-2	B	-	X												

NOTES
Bemerkungen

- SUITABLE FOR PIN CONTACT SEE DRAWING:
Passend zu Stiftkontakt:
TE: 1355933
 - FOR FLR-CONDUCTOR ACCORDING TO DIN 72551, PART 6 ONLY
Nur fuer FLR-Leitungen nach DIN 72551, Teil 6
 - DETAILS OF DESIGN ARE LEFT TO MANUFACTURER
Einzelheiten der Ausfuehrung bleiben dem Hersteller ueberlassen
- 4 MIN. 0.8 μm Au OVER MIN. 1.2 μm Ni
 Min. 0.8 μm Au ueber min. 1.2 μm Ni
 5 2-4 μm ELECTROPLATED SILVER
 2-4 μm galvanisch Silber
 6 MIN. 0.8 μm PdNi OVER MIN. 1.2 μm Ni
 Min. 0.8 μm PdNi ueber min. 1.2 μm Ni
 7 FOR INSPECTION PURPOSES ONLY
 Nur fuer Pruefzwecke
 8 MIN. 2.8-5.0 μm Ag OVER MIN. 0.2-1.0 μm Ni
 Min. 2.8-5.0 μm Ag ueber min. 0.2-1.0 μm Ni



THIS DRAWING IS A CONTROLLED DOCUMENT.		OWN S.Garcia	Z2MAY2000	TE Connectivity	
DIMENSIONS: mm		CHK R.Jetter	Z2MAY2000	TE Connectivity	
TOLERANCES UNLESS OTHERWISE SPECIFIED: 1. PLC ±0.1 2. PLC ±0.1 3. PLC ±0.1 4. PLC ±0.1 5. PLC ±0.1 6. PLC ±0.1 7. PLC ±0.1 8. PLC ±0.1 9. PLC ±0.1 10. PLC ±0.1 11. PLC ±0.1 12. PLC ±0.1 13. PLC ±0.1 14. PLC ±0.1 15. PLC ±0.1 16. PLC ±0.1 17. PLC ±0.1 18. PLC ±0.1 19. PLC ±0.1 20. PLC ±0.1		APVD		NAME MICRO POWER QUADLOK BUCHSENKONTAKT	
MATERIAL				Tabellenzeichnung Buchsenkontakt	
FINISH				TABLE SOCKET CONTACT	
WEIGHT				SIZE 114-1814-1	
CUSTOMER DRAWING				CAGE CODE DRAWING NO 00779	
SCALE 5:1				RESTRICTED TO REV B13	