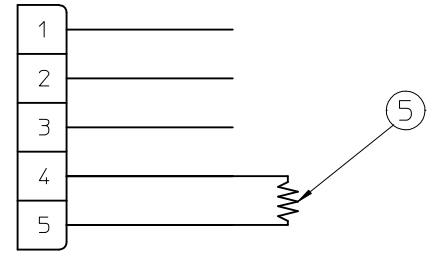
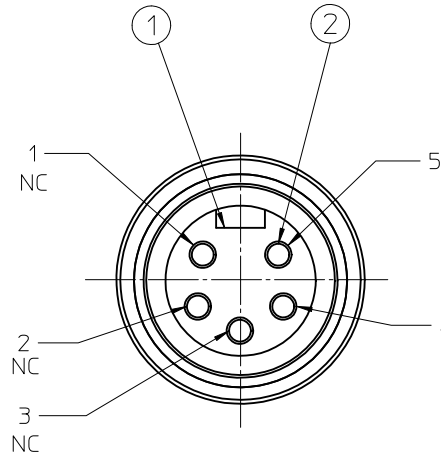
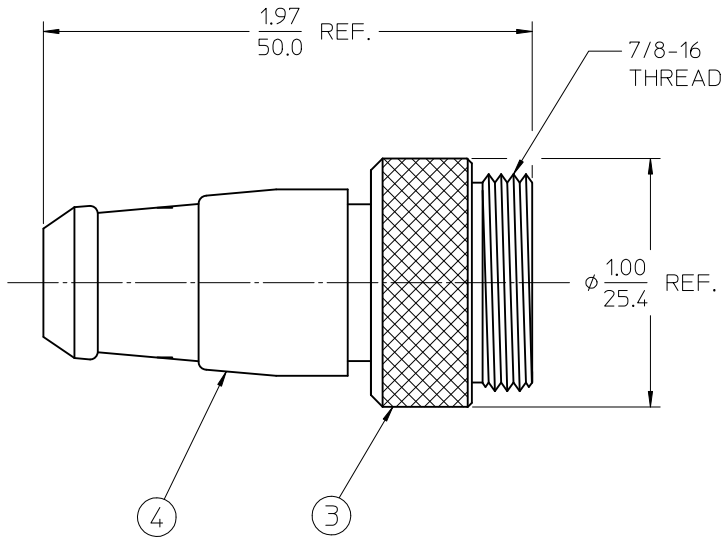
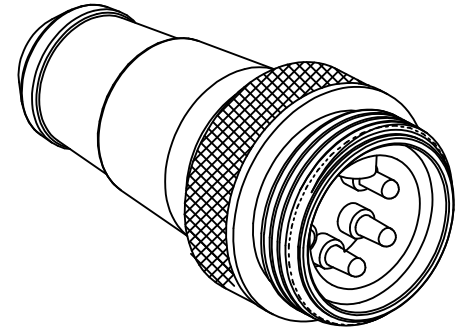


VOLTAGE RATING	50 VAC/VDC
AMPERAGE RATING	8 AMPS
PROTECTION	IP67
OPERATING TEMPERATURE	0°C TO 60°C



WIRING DIAGRAM

ITEM	COMPONENT	MATERIAL	FINISH
1	INSERT	PVC	GRAY
2	CONTACT PIN	COPPER ALLOY	GOLD OVER NICKEL
3	COUPLNG NUT	BRASS	NICKEL PLATED
4	OVERMOLD	PVC	GRAY
5	RESISTOR	121 OHM 1% METAL FILM 1/4 WATT	

RELEASED  
 EC NO: WNA2010-0417  
 DRAWN BY: DRWINSTONE 2010/01/21  
 CHECKED BY: CHYKDB:WOODMAN 2010/01/22  
 APPR: JFMURPHY 2010/01/25

QUALITY SYMBOLS  
 ▽=0  
 ▽=0

	GENERAL TOLERANCES (UNLESS SPECIFIED)	
	mm	INCH
4 PLACES	± ---	± ---
3 PLACES	± ---	± ---
2 PLACES	± ---	± .01
1 PLACE	± 0.3	± ---
ANGULAR ±1/2°		
DRAFT WHERE APPLICABLE MUST REMAIN WITHIN DIMENSIONS		

DIMENSION STYLE  
**IN/MM**  
 DRAWN BY: R. STONE  
 DATE: 2010/01/15  
 CHECKED BY: B. WOODMAN  
 DATE: 2010/01/18  
 APPROVED BY: JFMURPHY  
 DATE: 2010/01/22

SCALE: 2:1  
 DESIGN UNITS: INCH  
 THIRD ANGLE PROJECTION  
 TITLE: **TERMINATION RESISTOR MC 5P, MALE**  
 MOLEX INCORPORATED  
 MATERIAL NO. 848569108  
 DOCUMENT NO. SD-84856-015  
 SHEET NO. 1 OF 1