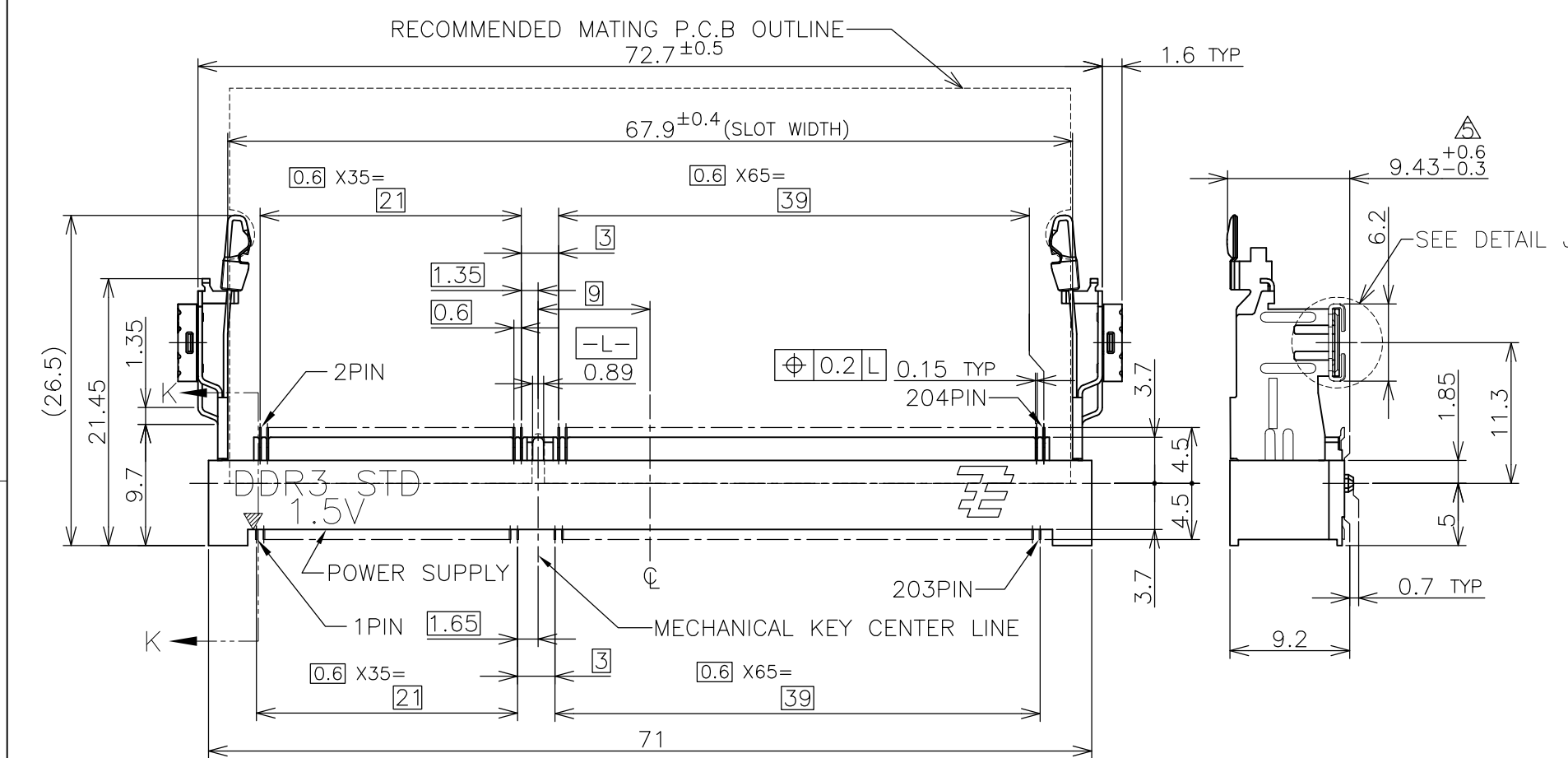
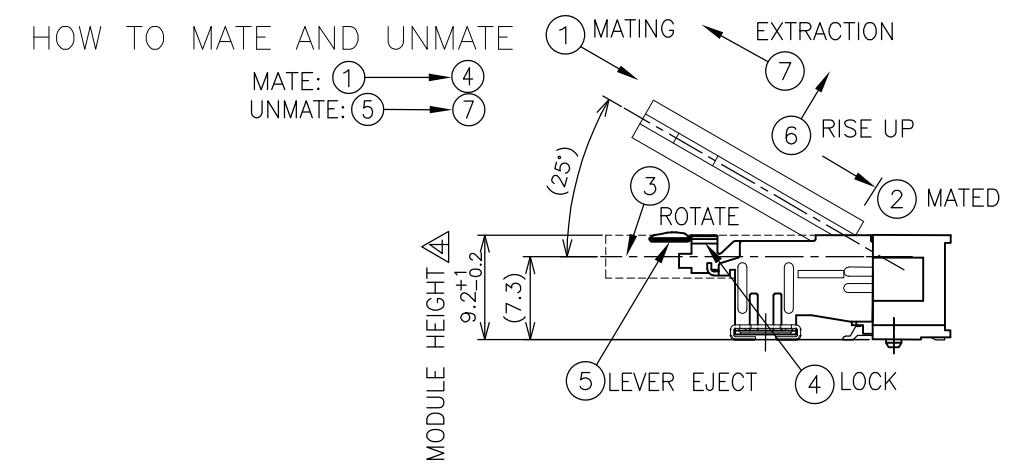
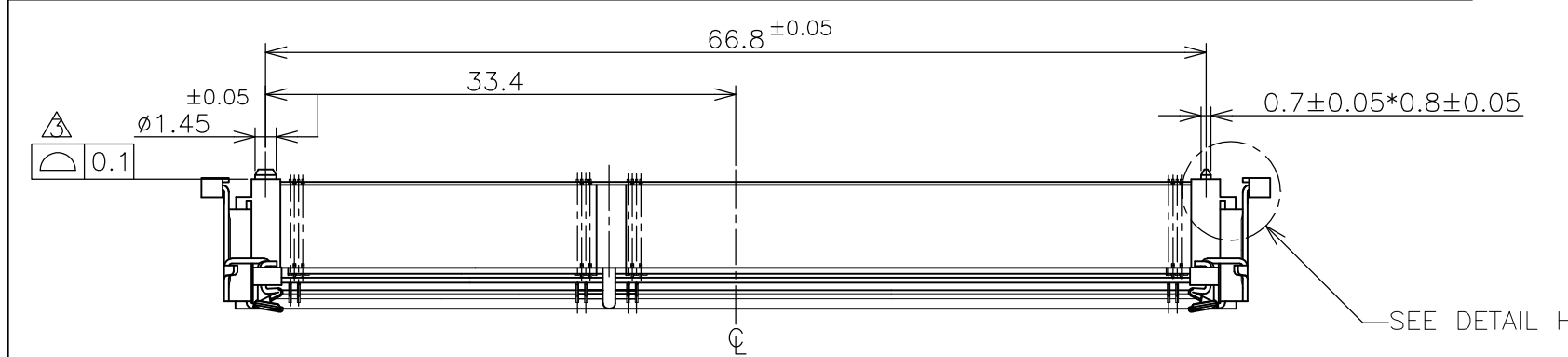
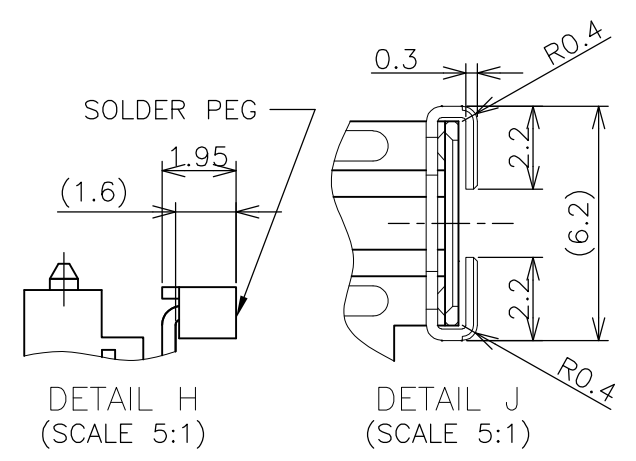
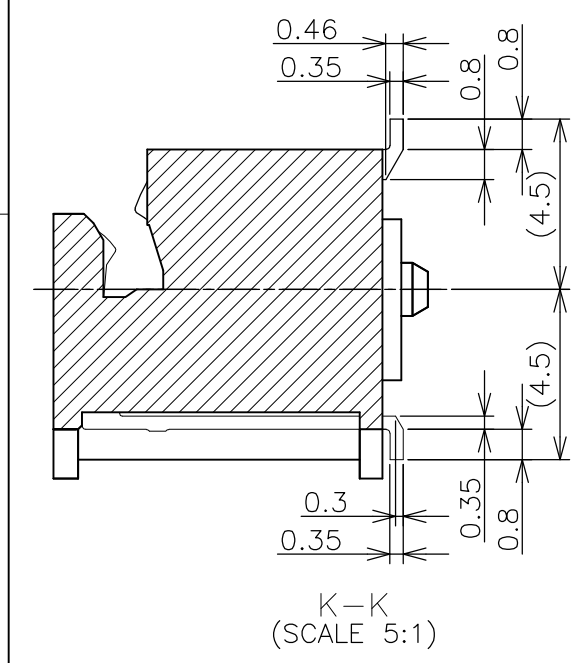


LOC	DIST	REVISIONS			
P	LTR	DESCRIPTION	DATE	DWN	APVD
J					
	D	REVISED PER ECR-12-004002	01MAR2012	W.W	C.W



- (APPLIED TO SHEET 1-2)
1. MATERIAL ; HOUSING: HIGH TEMPERATURE THERMO PLASTIC UL94V-0  
 COLOR: SEE TABLE  
 CONTACT: COPPER ARROY  
 LOCK LEVER: STAINLESS STEEL  
 PEG: COPPER ARROY
- 2-1. FINISH ; CONTACT AREA: GOLD FLASH  
 ALL OVER NICKEL.  
 SOLDERING AREA: GOLD FLASH PLATING  
 PEG: TIN PLATING.
- 2-2. FINISH ; CONTACT AREA: 0.000254MIN GOLD  
 ALL OVER NICKEL.  
 SOLDERING AREA: GOLD FLASH PLATING  
 PEG: TIN PLATING.
- 2-3. FINISH ; CONTACT AREA: 0.00076MIN GOLD  
 ALL OVER NICKEL.  
 SOLDERING AREA: GOLD FLASH PLATING  
 PEG: TIN PLATING.
- △ COPLANARITY: 0.1 MAX. (BEFORE SOLDERING)  
 △ THE FLOATING VALUE BY SOLDERING IS NOT INCLUDED.  
 △ NOT MATING CONDITION.
6. IF THE MODULE DOESN'T INSERT AND LOCK IN THE LATCH SMOOTHLY,  
 OPEN WIDE BOTH LATCHES BY MANUAL. AND THE MODULE MUST BE  
 INSERTED AND LOCKED IN THE LATCH.



GENERAL TOLERANCE  
 10 ≥ ±0.2  
 30 ≥ >10: ±0.25  
 100 ≥ >30: ±0.3  
 ANGLES: ±3°

THIS DRAWING IS A CONTROLLED DOCUMENT.		DWN T.FUMIKURA 18SEP2007	<b>STE</b> TE Connectivity		
DIMENSIONS: MM		CHK K.IKEGAMI 18SEP2007			
TOLERANCES UNLESS OTHERWISE SPECIFIED:		APVD K.IKEGAMI 18SEP2007	NAME		
0 PLC ±	1 PLC ±	PRODUCT SPEC			
2 PLC ±	3 PLC ±	108-78493			
4 PLC ±	ANGLES ±	APPLICATION SPEC			
MATERIAL		FINISH	SIZE	CAGE CODE	DRAWING NO
			A3	00779	C-2013310
		WEIGHT	RESTRICTED TO		
		6.2g	-		
		CUSTOMER DRAWING	SCALE	SHEET	REV
			2:1	1 OF 6	D

THIS DRAWING IS UNPUBLISHED.

RELEASED FOR PUBLICATION SEP , 2007.

© COPYRIGHT 2007 By -

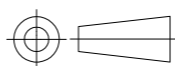
ALL RIGHTS RESERVED.

LOC	DIST	REVISIONS				
P	LTR	DESCRIPTION	DATE	DWN	APVD	
J	-	-	-	-	-	
		SEE SHEET 1				

AVAILABLE	ENBOSS (SEE SHEET 6)	WITHBOSS	BLACK	NOTE 2-3	1.5V	204	2-2013310-3
AVAILABLE	ENBOSS (SEE SHEET 6)	WITHBOSS	BLACK	NOTE 2-2	1.5V	204	2-2013310-2
AVAILABLE	ENBOSS (SEE SHEET 6)	WITHBOSS	BLACK	NOTE 2-1	1.5V	204	2-2013310-1
AVAILABLE	SEMI-HARD TRAY (SEE SHEET 5)	WITH BOSS	BLACK	NOTE 2-3	1.5V	204	2013310-3
AVAILABLE	SEMI-HARD TRAY (SEE SHEET 5)	WITH BOSS	BLACK	NOTE 2-2	1.5V	204	2013310-2
AVAILABLE	SEMI-HARD TRAY (SEE SHEET 5)	WITH BOSS	BLACK	NOTE 2-1	1.5V	204	2013310-1
TOOLING STATUS	PACKAGING TYPE	REMARK	HOUSING COLOR	FINISH	POWER SUPPLY	POS	PART NO.

THIS DRAWING IS A CONTROLLED DOCUMENT.


DIMENSIONS:  
MM



TOLERANCES UNLESS OTHERWISE SPECIFIED:

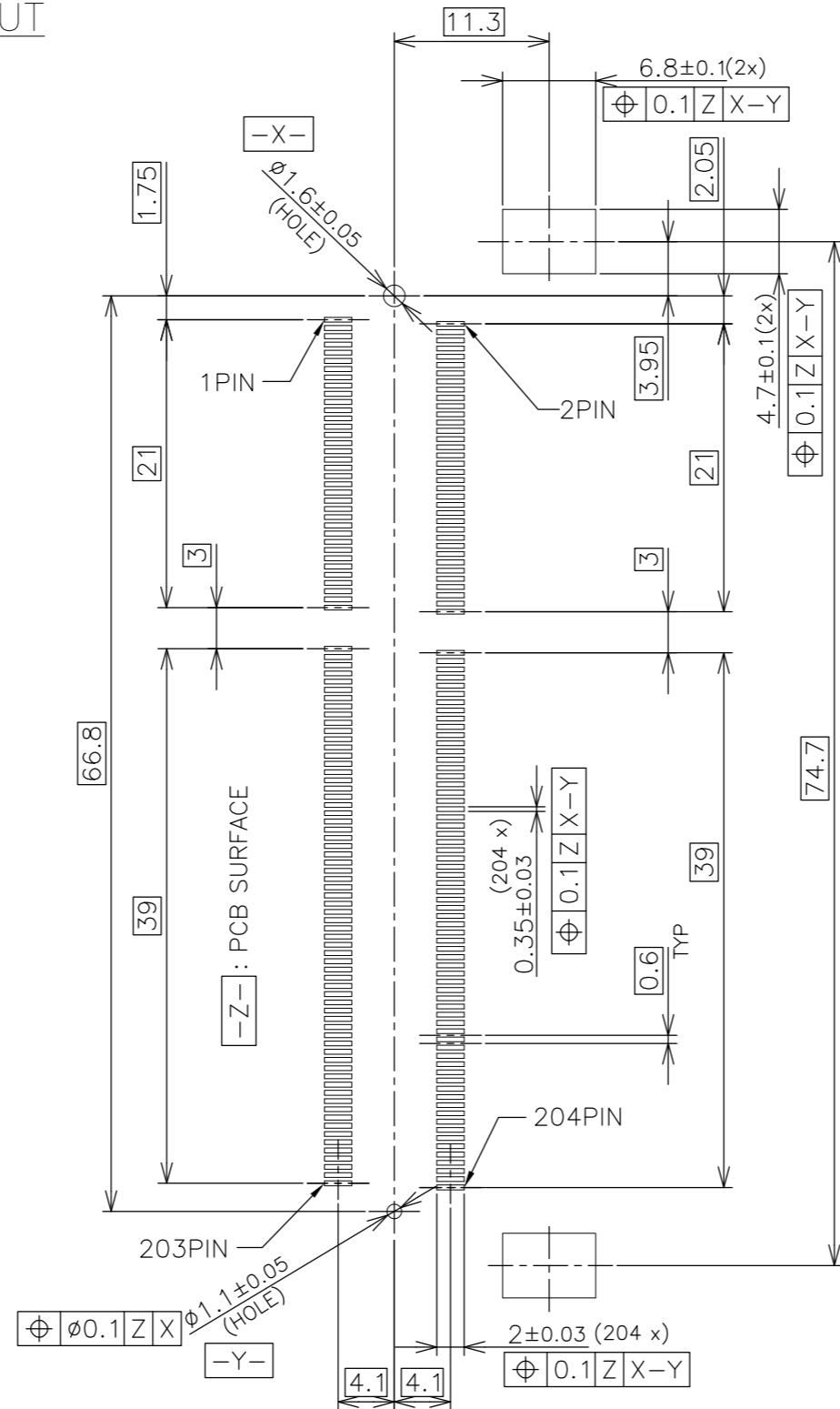
- 0 PLC ±
- 1 PLC ±
- 2 PLC ±
- 3 PLC ±
- 4 PLC ±
- ANGLES ±
- FINISH

MATERIAL

DWN	 <b>TE Connectivity</b>			RESTRICTED TO	
CHK					
APVD					NAME
PRODUCT SPEC					DDR3 SODIMM SOCKET 0.6mm PITCH 204POS 9.2mm HEIGHT STANDARD TYPE
APPLICATION SPEC	SIZE	CAGE CODE	DRAWING NO		
WEIGHT	A3	00779	C-2013310	-	
CUSTOMER DRAWING			SCALE	REV	
			2:1	D	
			SHEET		
			2 of 6		

P	LTR	DESCRIPTION	DATE	DWN	APVD
-	-	SEE SHEET 1	-	-	-

# REFERENCE P.C.BOARD PATTERN LAYOUT (CONNECTOR MOUNTING SIDE)



STD TYPE

THIS DRAWING IS A CONTROLLED DOCUMENT.

DIMENSIONS: MM	TOLERANCES UNLESS OTHERWISE SPECIFIED:
	0 PLC ±
	1 PLC ±
	2 PLC ±
	3 PLC ±
	4 PLC ±
MATERIAL	ANGLES ±
	FINISH

DWN
CHK
APVD
PRODUCT SPEC
APPLICATION SPEC
WEIGHT
CUSTOMER DRAWING

<b>STE</b> TE Connectivity			
NAME DDR3 SODIMM SOCKET 0.6mm PITCH 204POS 9.2mm HEIGHT STANDARD TYPE			
SIZE	CAGE CODE	DRAWING NO	RESTRICTED TO
A3	00779	C-2013310	-
SCALE 2:1		SHEET 3 OF 6	REV D

THIS DRAWING IS UNPUBLISHED.

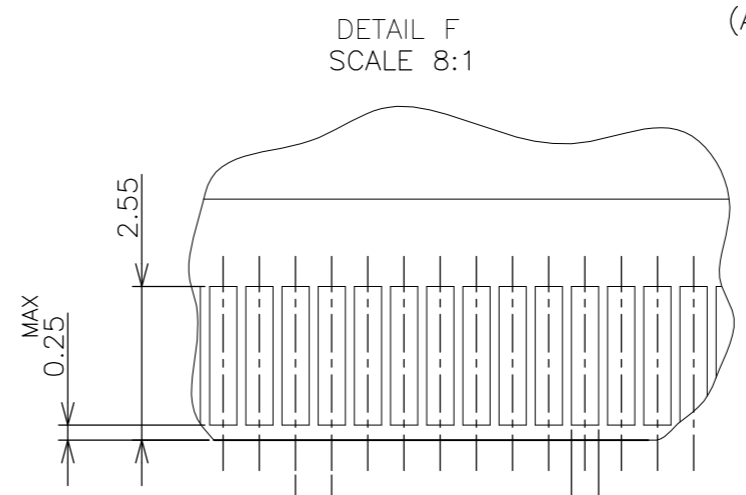
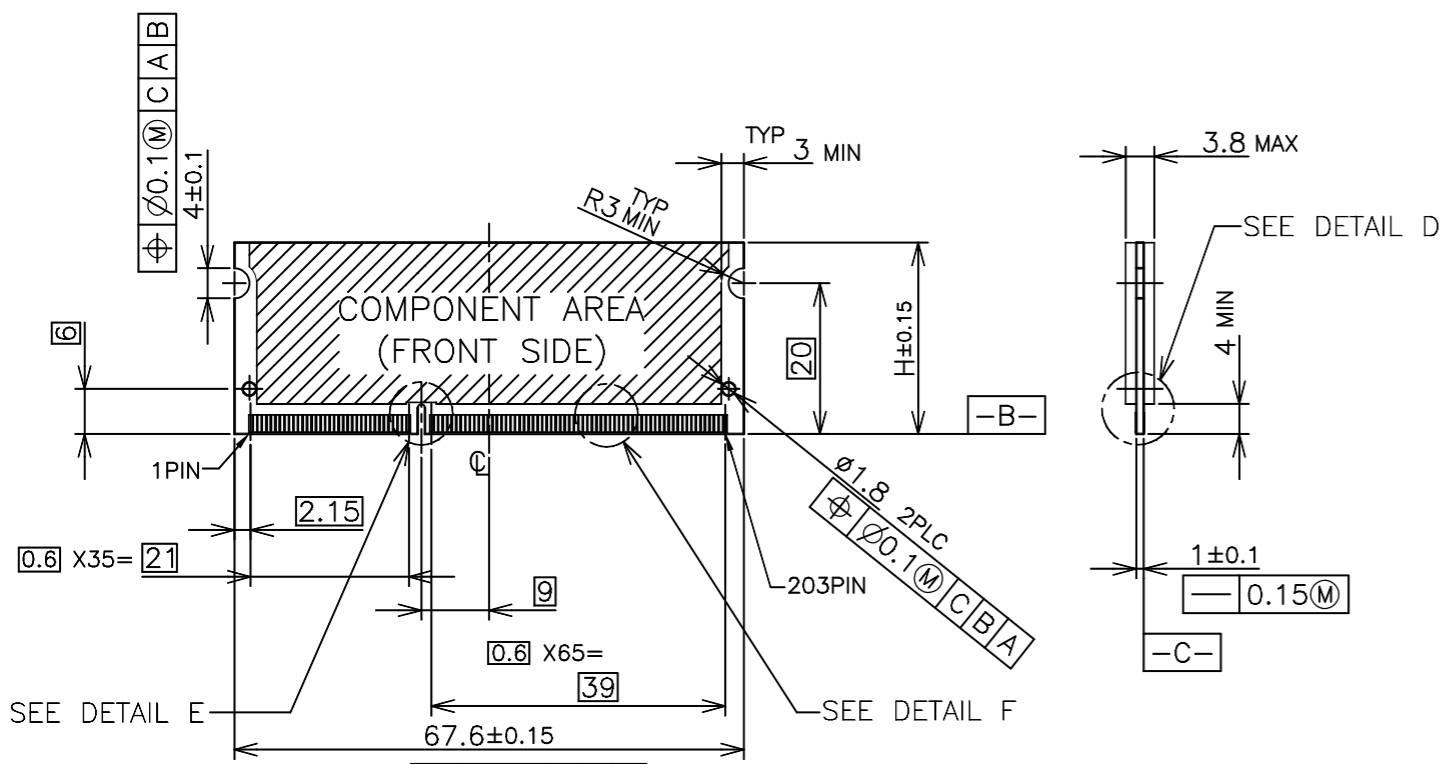
RELEASED FOR PUBLICATION SEP ,2007.

© COPYRIGHT 2007 By -

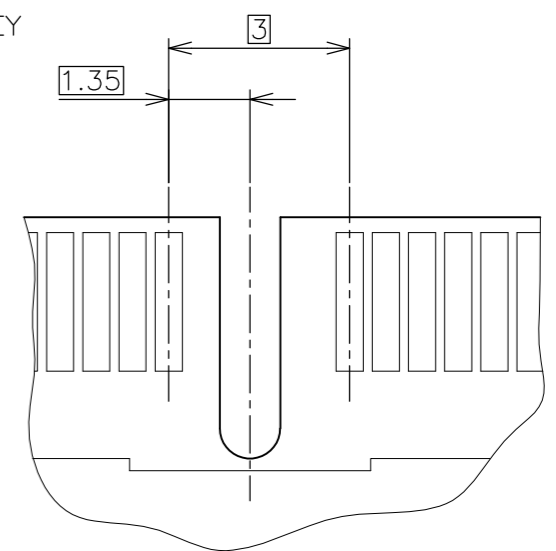
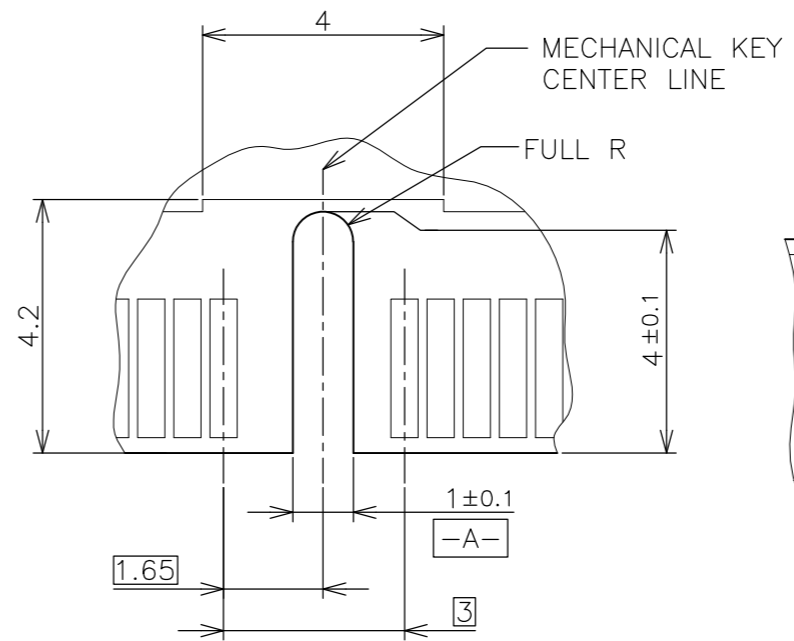
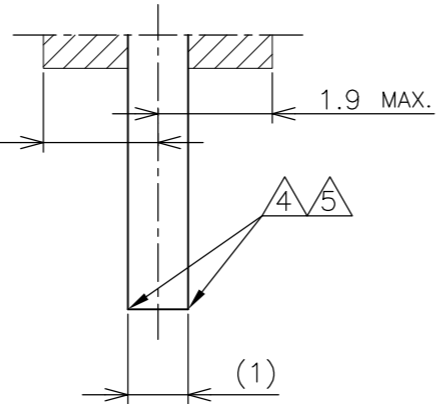
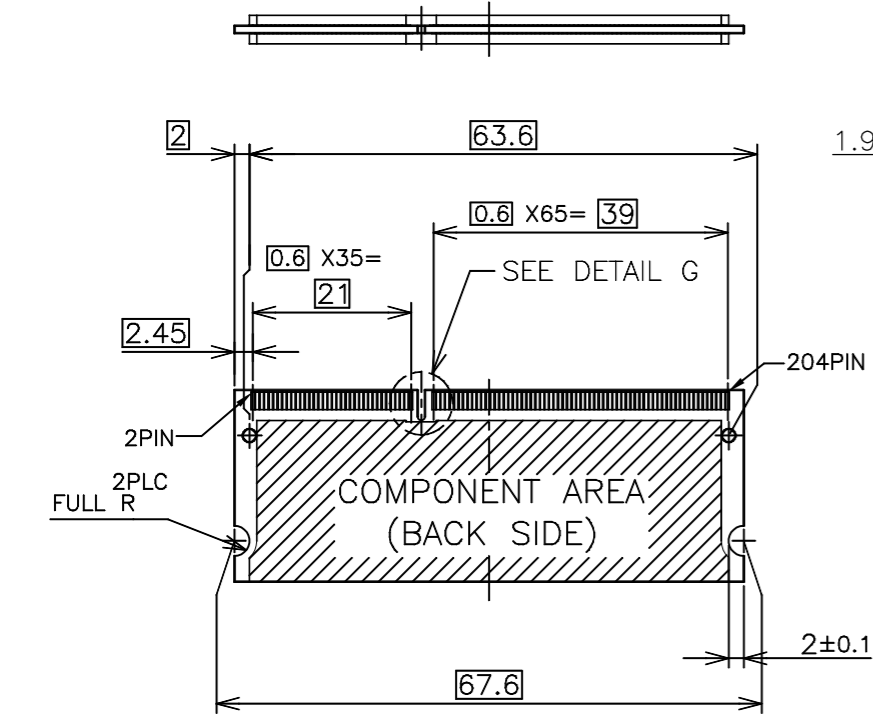
ALL RIGHTS RESERVED.

LOC	DIST	REVISIONS			
P	LTR	DESCRIPTION	DATE	DWN	APVD
J	/	-	SEE SHEET 1	-	-

# REFERENCE MATING P.C.B CONFIGURATION



- (APPLIED TO SHEET 4)
1. TOLERANCES ON ALL DIMENSIONS ±0.15 UNLESS OTHERWISE SPECIFIED.
  2. P.C. BOARD THICKNESS APPLIES ACROSS TABS AND INCLUDES PLATING AND/OR METALIZATION.
  3. FINISH OF PAD : GOLD PLATING 0.00076 MIN. OVER Ni PLATING 0.002MIN.
- ▲ NO BURR  
 ▲ CHAMFER 0.25 MAX x 45° IF EXIST.



30	CA
31.75	BA
25.4	AA
H	SDRAM VARIATIONS

THIS DRAWING IS A CONTROLLED DOCUMENT.		DWN	TE Connectivity NAME DDR3 SODIMM SOCKET 0.6mm PITCH 204POS 9.2mm HEIGHT STANDARD TYPE		
DIMENSIONS: MM		CHK			
		APVD			
TOLERANCES UNLESS OTHERWISE SPECIFIED: 0 PLC ± 1 PLC ± 2 PLC ± 3 PLC ± 4 PLC ± ANGLES ± MATERIAL FINISH ±		PRODUCT SPEC			
MATERIAL		APVD	APPLICATION SPEC	SIZE	CAGE CODE
		WEIGHT	CUSTOMER DRAWING	A3	00779
				C=	2013310
				RESTRICTED TO	-
				SCALE	2:1
				SHEET	4 OF 6
				REV	D

THIS DRAWING IS UNPUBLISHED.

RELEASED FOR PUBLICATION SEP , 2007.

© COPYRIGHT 2007 By -

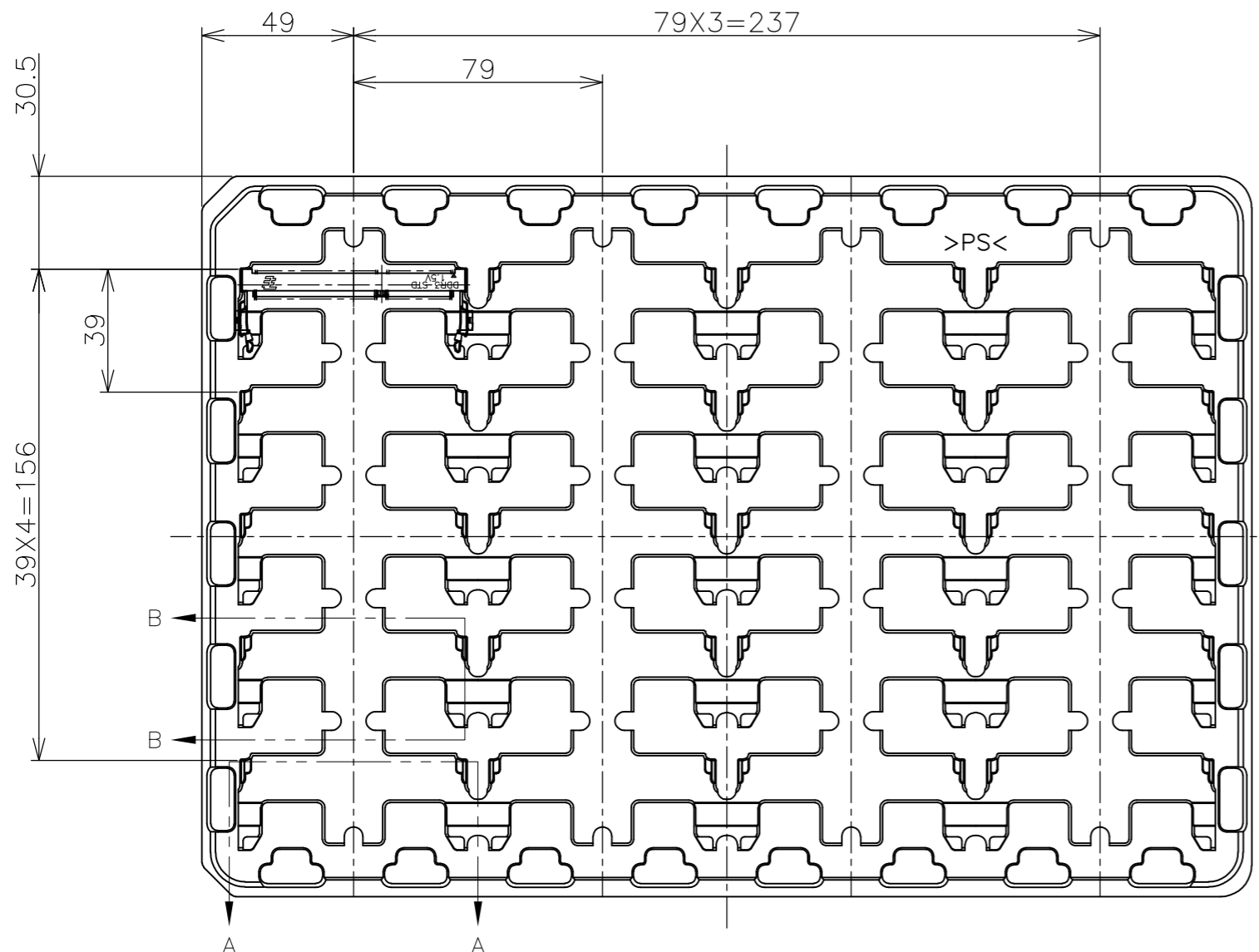
ALL RIGHTS RESERVED.

LOC  
J

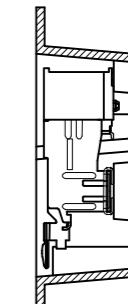
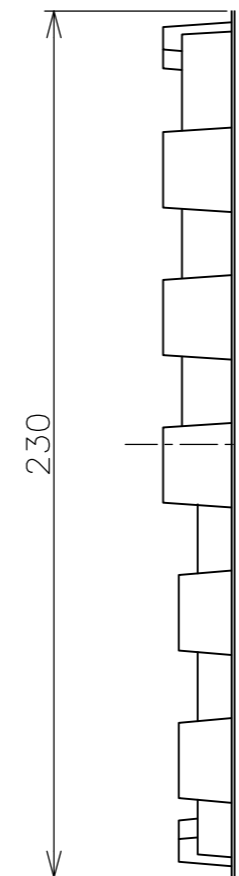
DIST  
/

REVISIONS

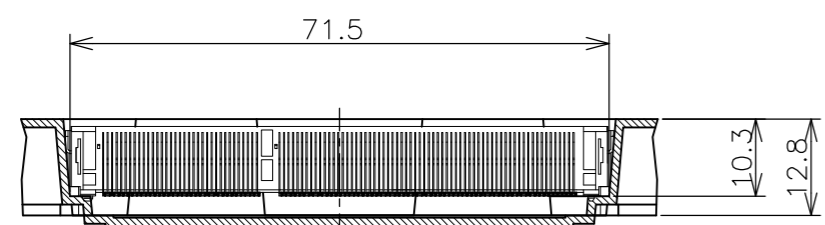
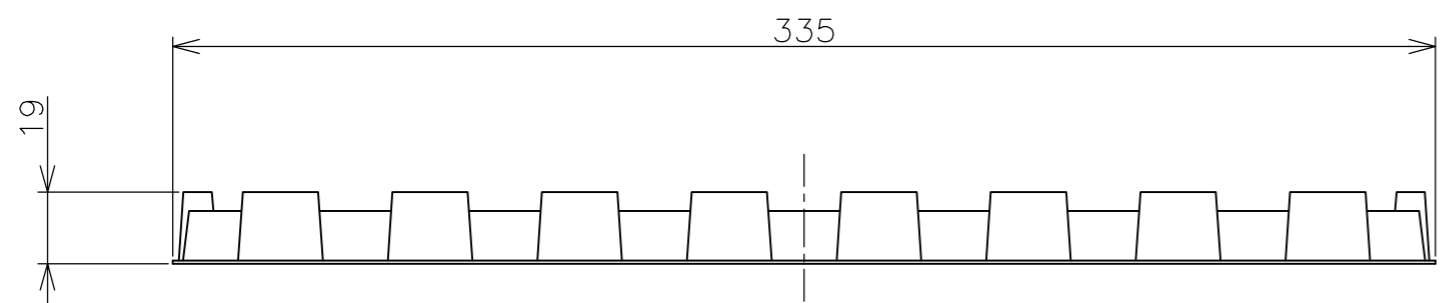
P	LTR	DESCRIPTION	DATE	DWN	APVD
-	-	SEE SHEET 1	-	-	-



- (APPLIED TO SHEET 5)
1. THE DIRECTION OF EACH CONNECTOR ON A TRAY IS REFERRED TO THIS DRAWING.
  2. GENERAL TOLERANCE:  $\pm 0.5$ ,  $\pm 3'$



B-B  
SCALE 1:1



A-A  
SCALE 1:1  
(180DEG. ROTATE)

200EA	20EA	*- 2013310 -*
QTY/BOX	QTY/TRAY	PART NO.

THIS DRAWING IS A CONTROLLED DOCUMENT.		DWN	TE Connectivity
DIMENSIONS: MM		CHK	
		APVD	
TOLERANCES UNLESS OTHERWISE SPECIFIED: 0 PLC $\pm 0.5$ 1 PLC $\pm 0.5$ 2 PLC $\pm 0.5$ 3 PLC $\pm 0.5$ 4 PLC $\pm 0.5$ ANGLES $\pm 3'$		NAME	
MATERIAL		PRODUCT SPEC	DDR3 SODIMM SOCKET 0.6mm PITCH 204POS 9.2mm HEIGHT STANDARD TYPE
		APPLICATION SPEC	SIZE CAGE CODE DRAWING NO RESTRICTED TO
		WEIGHT	A3 00779 C-2013310
		CUSTOMER DRAWING	SCALE 1:2 SHEET 5 OF 6 REV D

THIS DRAWING IS UNPUBLISHED.

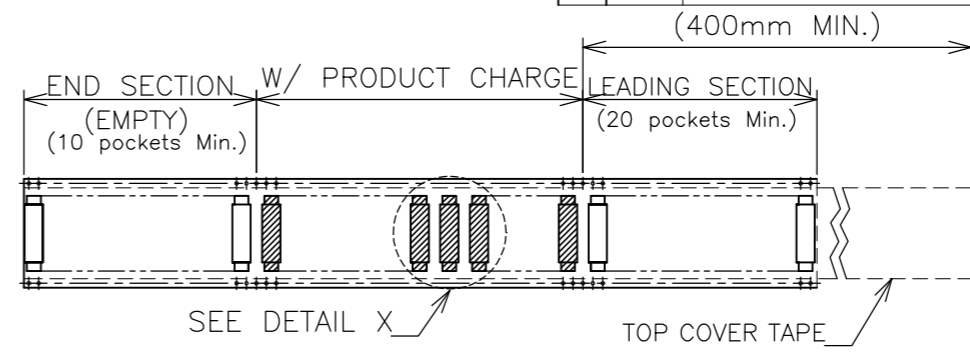
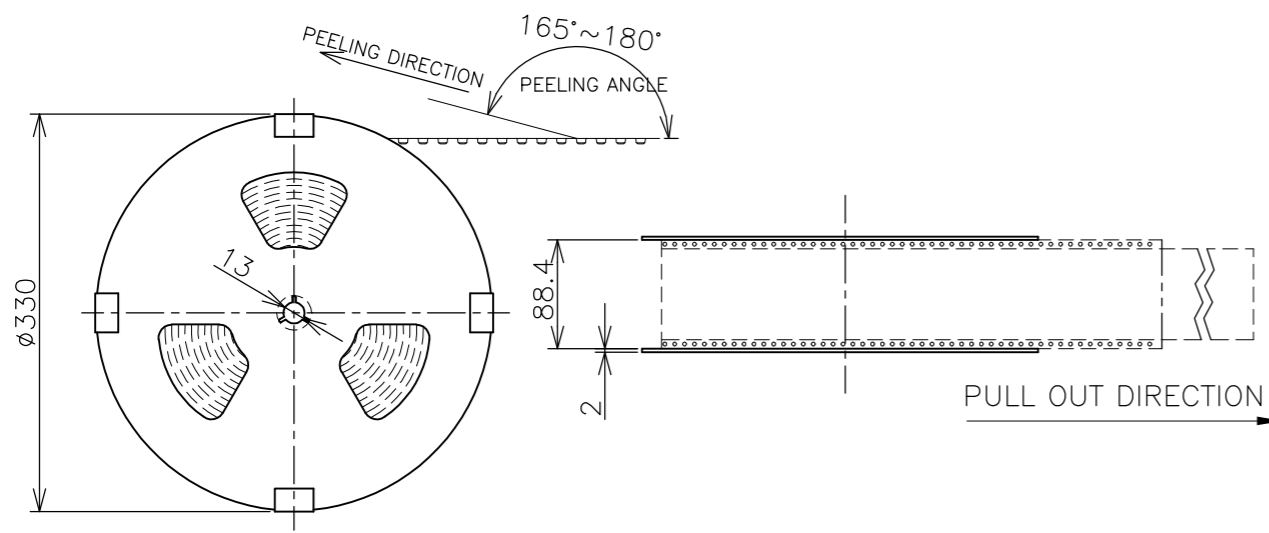
RELEASED FOR PUBLICATION

SEP , 2007.

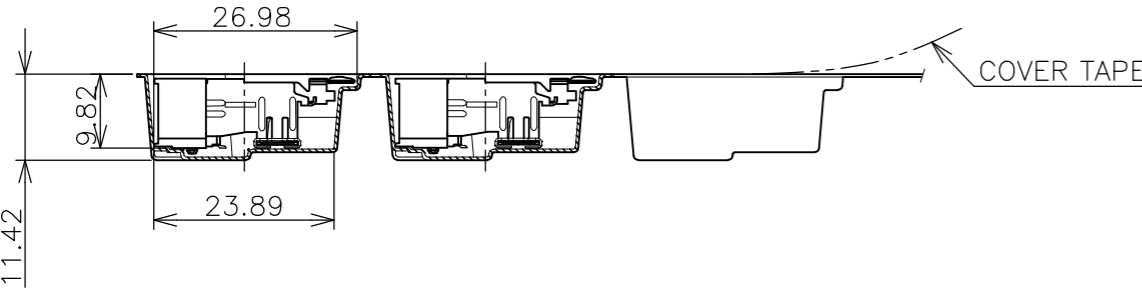
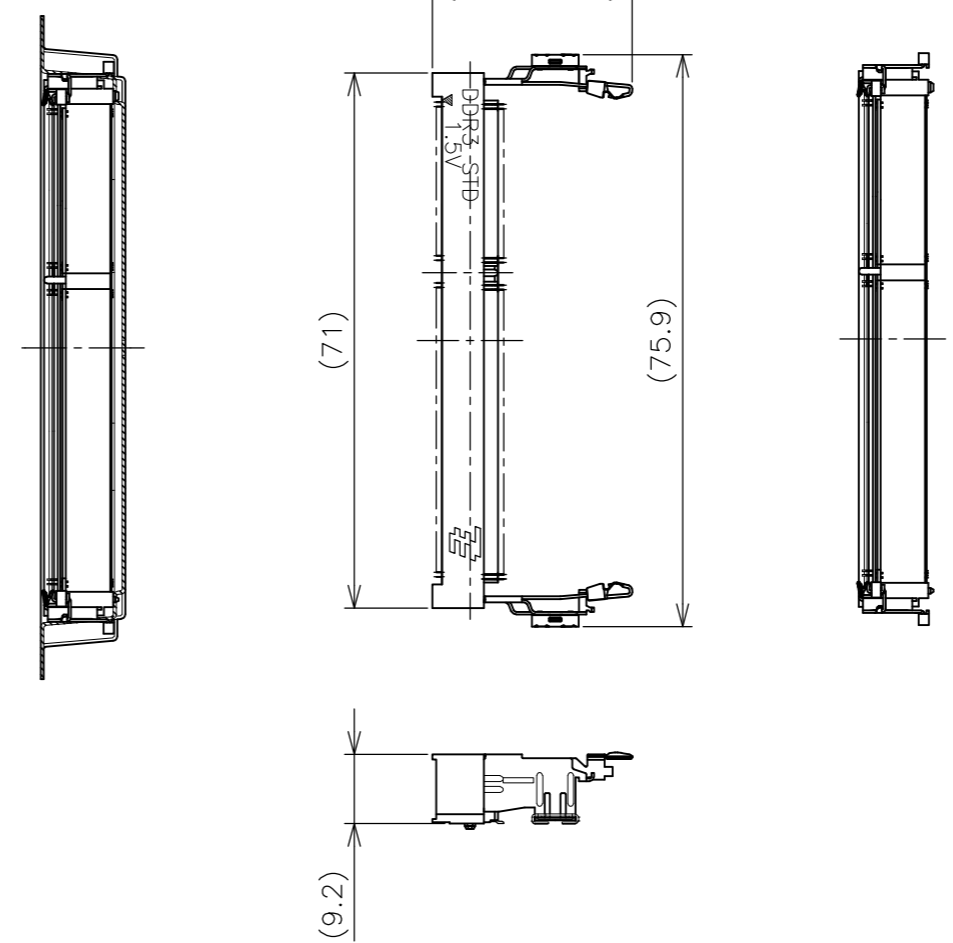
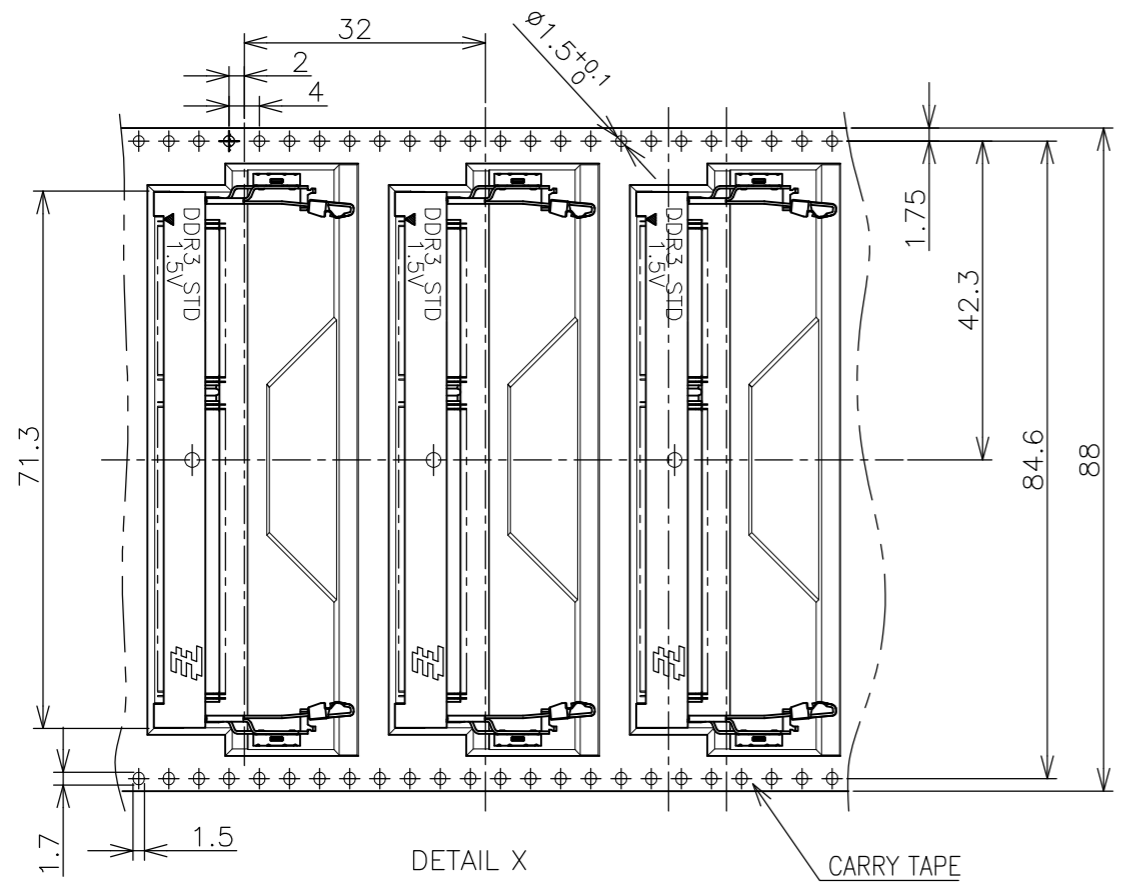
© COPYRIGHT 2007 By -


ALL RIGHTS RESERVED.

LOC	DIST	REVISIONS			
P	LTR	DESCRIPTION	DATE	DWN	APVD
J	/	SEE SHEET 1	-	-	-



- (APPLIED TO SHEET 6)
1. THE DIRECTION OF EACH CONNECTOR ON A EMBOSS IS REFERRED TO THIS DRAWING.
  2. GENERAL TOLERANCE:  $\pm 0.5$ ,  $\pm 3'$



THIS DRAWING IS A CONTROLLED DOCUMENT.		DWN	150EA			*-2013310-*	
DIMENSIONS: MM		CHK	QTY/REEL			PART NO.	
TOLERANCES UNLESS OTHERWISE SPECIFIED:		APVD	 <b>TE Connectivity</b>				
0 PLC $\pm 0.5$		PRODUCT SPEC					
1 PLC $\pm 0.5$		APPLICATION SPEC	NAME DDR3 SODIMM SOCKET 0.6mm PITCH 204POS 9.2mm HEIGHT STANDARD TYPE				
2 PLC $\pm 0.5$		WEIGHT	SIZE	CAGE CODE	DRAWING NO	RESTRICTED TO	
3 PLC $\pm 0.5$		CUSTOMER DRAWING	A300779		C-2013310		-
4 PLC $\pm 0.5$			SCALE	SHEET	REV		
ANGLES $\pm 3'$		1:2		6 OF 6		D	
FINISH							