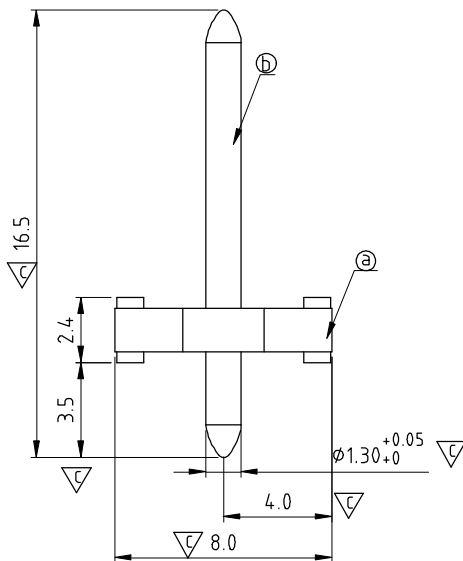
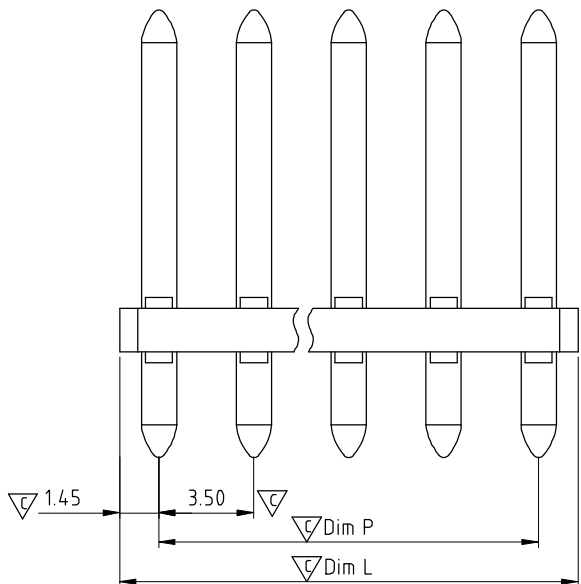
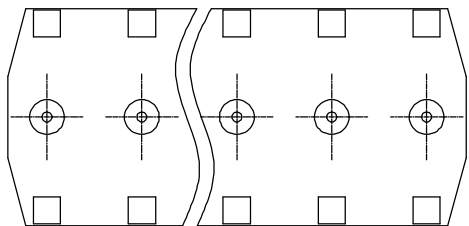


SIGN	DATE	DESCRIPTION	APPROVER
△			
△			

THIS IS CAD DRAWING, DO NOT REVISE MANUALLY!!!

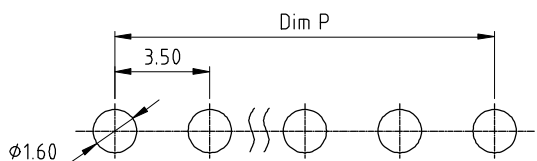


- Material:
- Item A Terminal(housing): Thermoplastic (UL94V-0)
 - Item B Contact pin: Brass Tin plated
- Electrical: cULus
- Voltage rating: 150V
 - Current rating: 2A
 - Withstanding Voltage: 1.3KV
 - Operating temperature: -40°C to +115°C
 - Soldering temperature: 260°C±5°C/5 Sec
 - Safety Approval:
 - Critical dimension: C

OL xx 1 0 0 0 xxxx G

POLES
02 pole
" " "
24 pole

G RoHS compliant (lead<4%) In copper Alloy
0000: Standard Any special item by customer request. please contact sales department.



P.C.B. LAYOUT

N = Number of poles

$$\text{Dim L} = (N-1) \times 3.5 + 2.90$$

$$\text{Dim P} = (N-1) \times 3.5$$

POLES	Dim L	Dim P
2p-6p	±0.15	±0.15
7p-12p	±0.2	±0.2
13p-18p	±0.3	±0.3
19p-24p	±0.4	±0.4

ANYTEK				CUSTOMER COPY				
ALL RIGHTS RESERVED. REPRODUCTION OR ISSUE TO THIRD PARTIES IN ANY FORM WHATEVER IS NOT PERMITTED WITHOUT WRITTEN AUTHORITY FROM THE PROPRIETOR. PROPERTY OF ANYTEK TECHNOLOGY CO., LTD								
TITLE		OL-3.5mm series DIP (Match with NY 3.5)				DWG NO.		80L0001
PART NO.		OLxx1000xxxxG				CUST NO.		
APPROVED		CHECKED	DESIGNED	DRAWN	Tolerance			
			Guoxue 2014.07.07	Guoxue 2014.07.07	X. ±0.50			
					X.X ±0.30			
					X.XX ±0.10			
					X° ±1°			
					UNIT: mm			
					SCALE: NONE			
					SHEET: 01/01			
					REV.: B			