

# T.440 | Plugs

Technopolymer

**BSP**

**RoHS**

**PA**

**+212 °F  
-22 °F**

## MATERIAL

Polyamide based (PA) technopolymer, black colour, matte finish.

## PACKING RING

NBR synthetic rubber.

## MAXIMUM CONTINUOUS WORKING TEMPERATURE

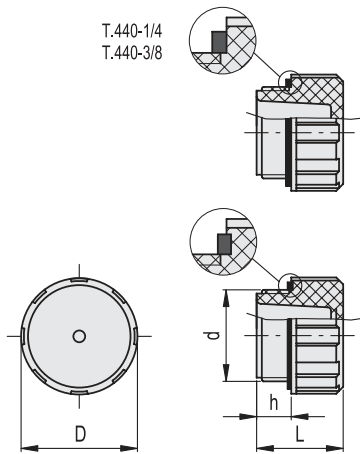
100°C.

## SPECIAL EXECUTIONS ON REQUEST

Words, marks and graphic symbols can be tampoprinted on the cap.



ELESA Original design



**BSP**

**METRIC**

Code	Description	d	h	D	L	△
157111	T.440-1/4	G 1/4	9	20.5	19	10
157121	T.440-3/8	G 3/8	9	25	21	12
157131	T.440-1/2	G 1/2	11	28.5	25	14
157141	T.440-3/4	G 3/4	12	34.5	27	22
157151	T.440-1	G 1	13	42.5	28.5	28
157161	T.440-1¼	G1 1/4	13	52	32	52
157171	T.440-1½	G1 1/2	13	57.5	34	63

- 1
- 2
- 3
- 4
- 5
- 6
- 7
- 8
- 9
- 10
- 11
- 12
- 13
- 14
- 15
- RH

Accessories for hydraulic systems