

# C&K CA Series Illuminated Power Rocker Switches

## Features/Benefits


- 15 AMPS @ 125 V AC
- Illuminated actuator
- Various actuator styles

## Typical Applications

- Power outlet strips
- Appliances
- Boating address systems



## Specifications

CONTACT RATING: 15 AMPS @ 125 V AC; 10 AMPS @ 250 V AC; 1/4 HP @ 125 V AC or 250 V AC .

ELECTRICAL LIFE: 10,000 make-and-break cycles at full load.

LAMP LIFE: 25,000 hours typ.

INSULATION RESISTANCE:  $10^9 \Omega$  min.

DIELECTRIC STRENGTH: 1,000 Vrms min. @sea level.

## Materials

HOUSING: 6/6 nylon (UL 94V-2), black.

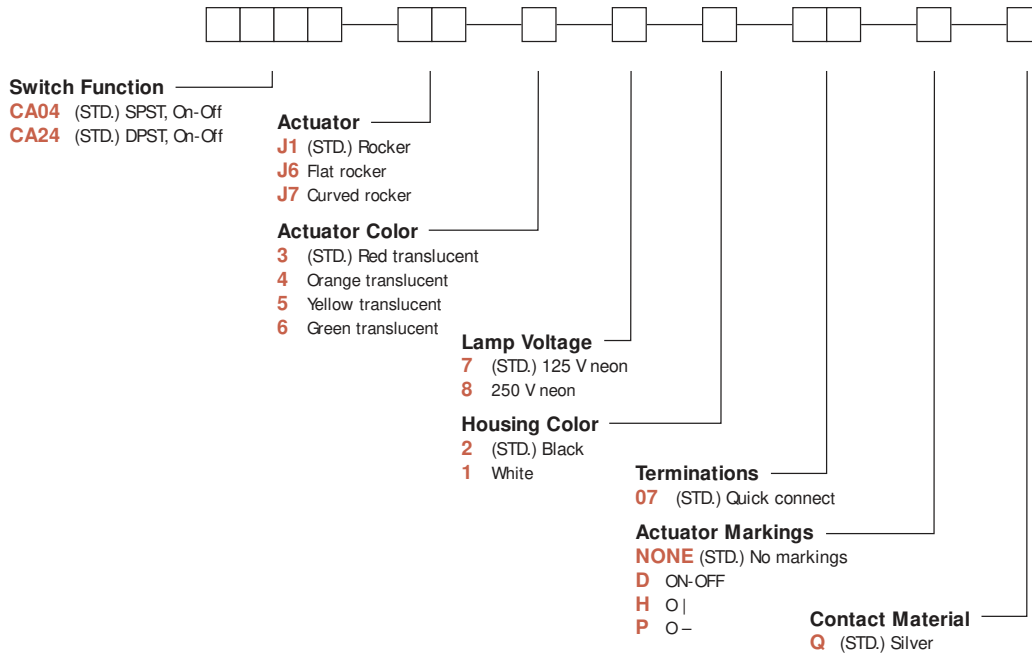
ACTUATOR: Polycarbonate (UL 94V-2), red.

CONTACTS: Coin silver, silver plated.

**NOTE:** Specifications and materials listed above are for switches with standard options. For information on specific and custom switches, consult Customer Service Center.

## Build-A-Switch

To order, simply select desired option from each category and place in the appropriate box. Available options are shown and described on pages G-76 thru G-78. For additional options not shown in catalog, consult Customer Service Center.



Rocker



# C&K CA Series Illuminated Power Rocker Switches

## SWITCH FUNCTION

NO. POLES	MODEL NO.	SWITCH FUNCTION		CONNECTED TERMINALS		SCHEMATIC
		POS. 1	POS. 2	POS. 1	POS. 2	
SP	CA04 (STD.)	ON	OFF	1-1A	OPEN	
<p><b>SPST</b></p> <p>Part number shown: CA04J137207Q</p> <p>ACTUATOR SHOWN IN POS. 1 - 'ON' POSITION</p> <p>TERMINAL NOS. MARKED ON HOUSING</p>						
DP	CA24 (STD.)	ON	OFF	1-1A, 2-2A	OPEN	
<p><b>DPST</b></p> <p>Part number shown: CA24J137207Q</p> <p>ACTUATOR SHOWN IN POS. 1 - 'ON' POSITION</p> <p>TERMINAL NOS. MARKED ON HOUSING</p>						

See CONTACT MATERIAL section, page G-78, for complete contact ratings and agency approvals. Contacts make on side opposite actuator thrown.

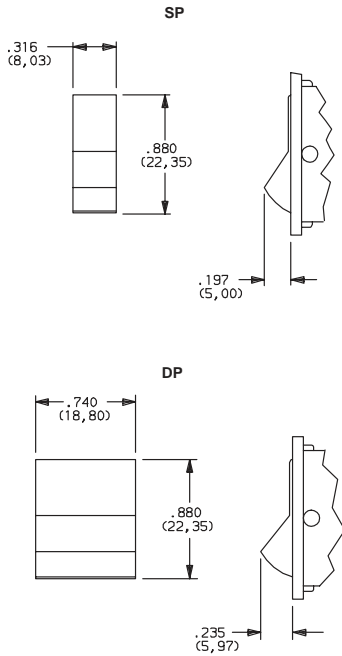
All models with all options.

# C&K CA Series Illuminated Power Rocker Switches

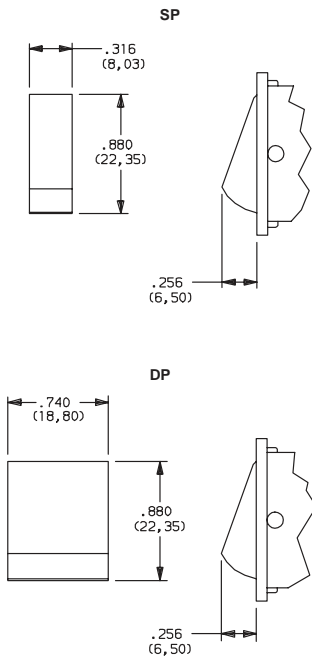
## ACTUATOR



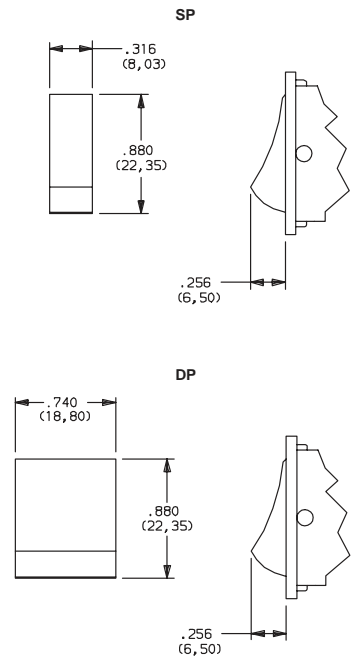
### J1 (STD.) ROCKER



### J6 FLAT ROCKER



### J7 CURVED ROCKER



## ACTUATOR COLOR



OPTION CODE	ACTUATOR COLOR
3	(STD.) RED TRANSLUCENT
4	ORANGE
5	YELLOW
6	GREEN

NOTE: Special colors available, consult Customer Service Center.

## NEON LAMP VOLTAGE



- 7 (STD.) 125 V NEON
- 8 250 V NEON

## HOUSING COLOR



OPTION CODE	HOUSING COLOR
2	(STD.) BLACK
1	WHITE

NOTE: Housing frame finish: matte. Special colors available, consult Customer Service Center.

Rocker

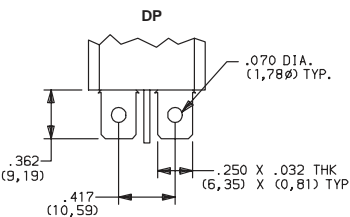
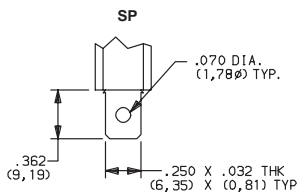


G

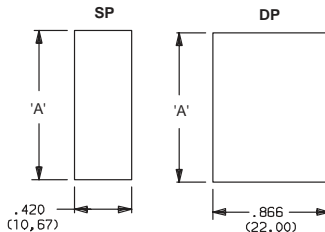
# C&K CA Series Illuminated Power Rocker Switches

## TERMINATIONS

### 07 (STD.) QUICK CONNECT



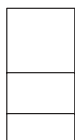
### PANEL MOUNTING



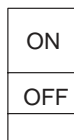
PANEL THICKNESS	DIM 'A'
.059–.078 (1,50) (2,00)	1.102 (28,00)
.078–.118 (2,00) (3,00)	1.110 (28,20)
.118–.177 (3,00) (4,50)	1.126 (28,60)

## ACTUATOR MARKINGS

### NONE (STD.) NO MARKING



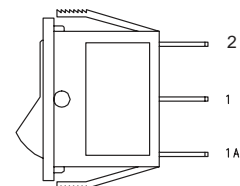
### D ON-OFF



### H O I



### P O -



Marking color white, standard for all actuator colors except yellow. Marking color black, standard for yellow actuators. Consult Customer Service Center for other available markings and colors.

**NOTE:** Orientation of actuator markings and terminals

## CONTACT MATERIAL

OPTION CODE	CONTACT & TERMINAL MATERIAL	RATINGS	
<b>Q (STD.)</b>	SILVER <sup>1</sup>	POWER	15 AMPS @ 125 V AC; 10 AMPS @ 250 V AC; 1/4 HP @ 125 V AC or 250 V AC (UL/CSA).

CONTACT MATERIAL/APPLICATION RECOMMENDATIONS – SEE SECTION N.

<sup>1</sup> CONTACTS: Coin silver, silver plated.  
TERMINALS: Copper, silver plated.

All models with all options.

