

4

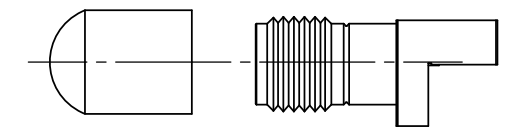
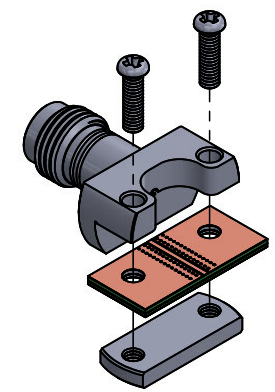
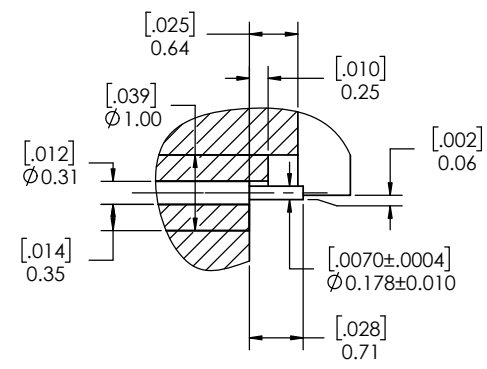
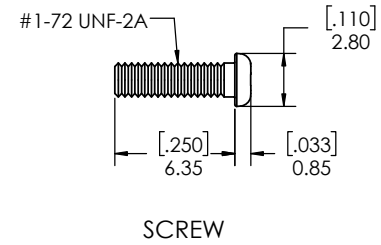
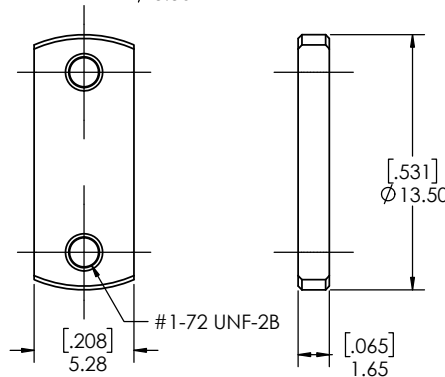
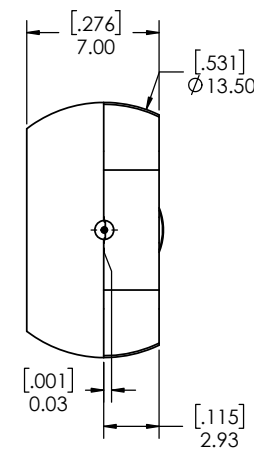
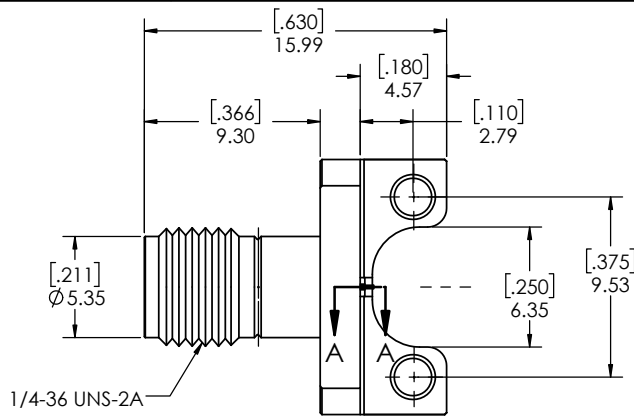
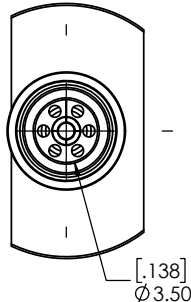
3

2

1



REVISIONS			
REV.	DESCRIPTION	DATE	APPROVED
-	INITIAL RELEASE	07/03/2018	MM
1	UPDATED PART NUMBER	10/24/2018	DL
2	ADDED SHEET 2 PCB DEFINITION	2/15/2019	PV
3	ADDED SECTION VIEW	3/7/2019	PV
4	REVISED MODEL	11/19/2019	PV



LOCKING BLOCK

SECTION A-A
SCALE 20 : 1

PROTECTION CAP

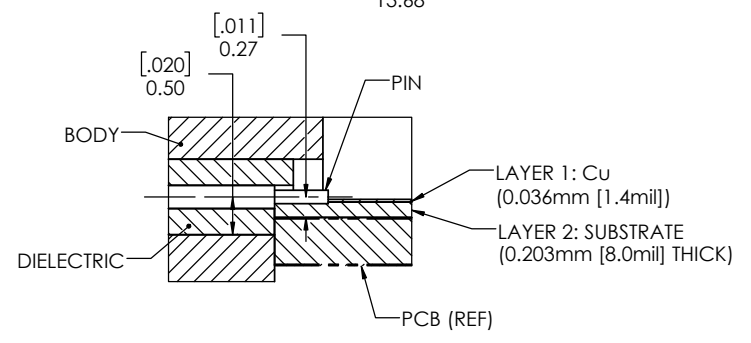
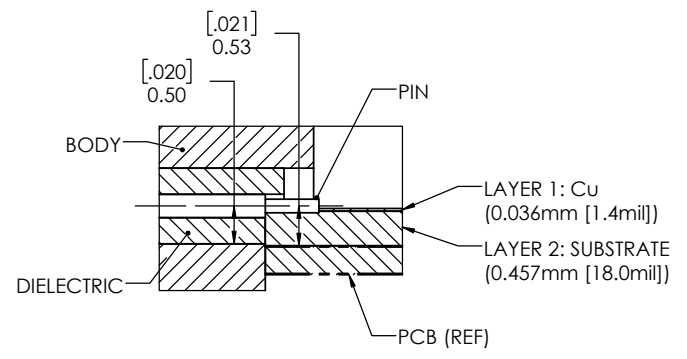
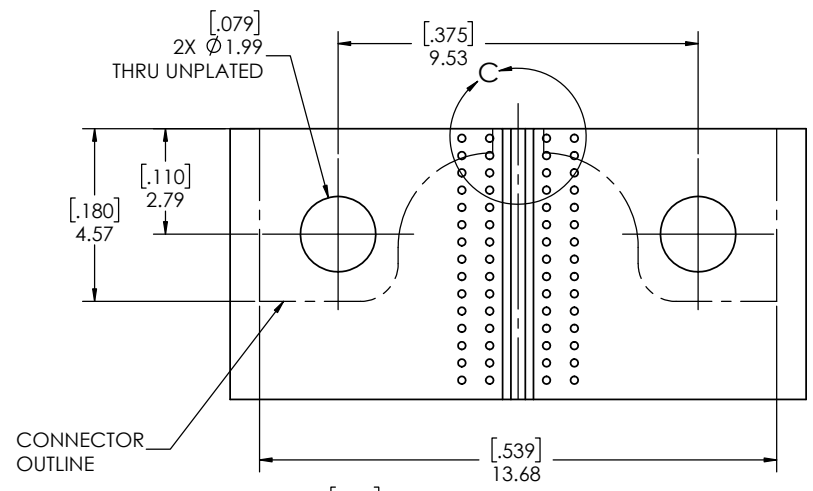
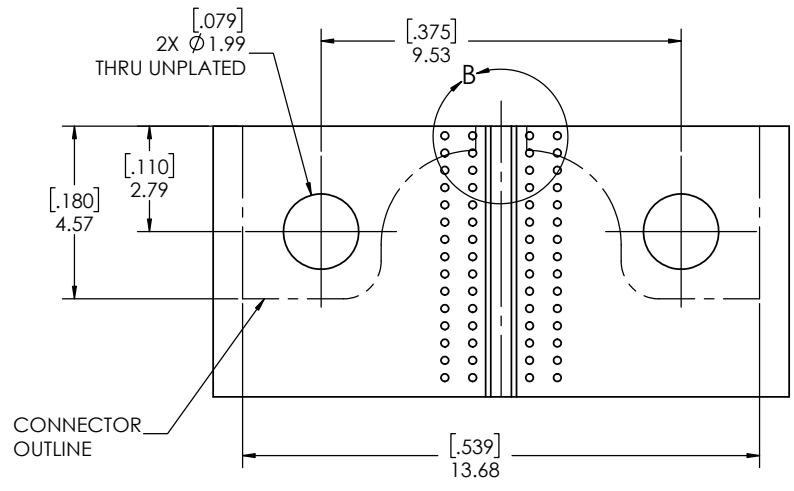
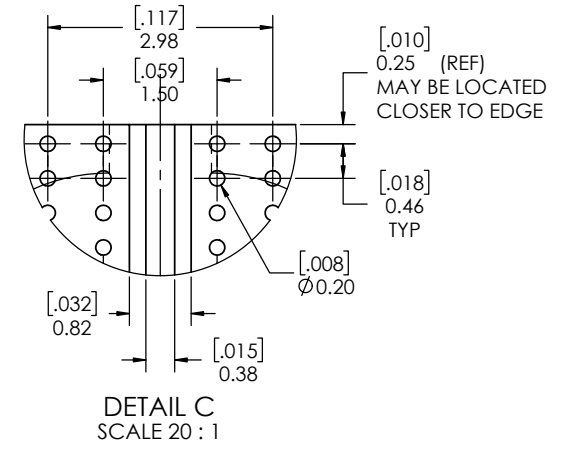
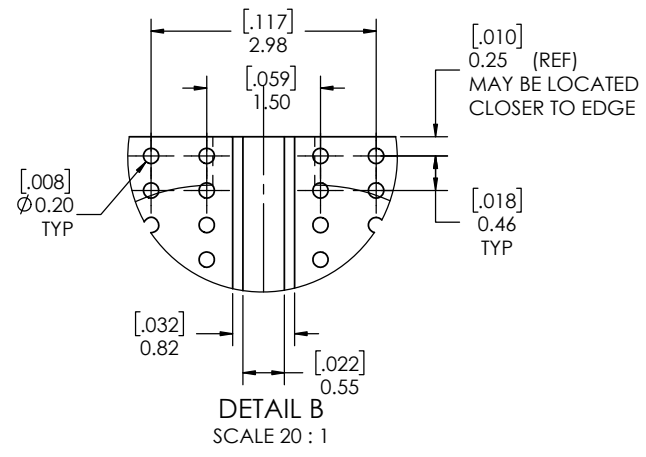
- NOTE(S):
1. These characteristics are typical and for reference.
 2. DYH: 58-20003-44070
 3. See sheet 2 for PCB interface definition.

MATERIAL(S) :	ELECTRICAL(S) :	MECHANICAL(S) :	ENVIRONMENTAL(S) :
Body: Stainless Steel Center Conductor: Beryllium Copper Insulator: Insulator 1: PCTFE, white Insulator 2: PTFE, white RoHS Compliant Protective Cap: Soft PVC Color: White	Impedance: 50 Ohms Nominal Frequency Range: DC to 34 GHz VSWR: 1.3:1 max at 34 GHz Working Voltage: 400 Vrms max @ Sea Level Dielectric Withstand Voltage: 500 Vrms max. Insulation Resistance: 5000 Megohms min. Contact Resistance: Initial: Center Contact: 1.5 Milliohms max Outer Contact: 0.8 Milliohms max	Mating Characteristics: Interface per MIL-STD-348 Force to Engage & Disengage: Torque: 2 inch-pounds max Longitudinal Force: NA Connector Durability: 500 Cycles min. Permeability: Less than 2.0 mu. Center Contact Retention: Axial Force: 6 pounds min. Radial Force: NA	Temperature Range: -65°C to +165°C Moisture Resistance: MIL-STD-202, Method 103, Test Condition B Corrosion: MIL-STD-202, Method 101, Test Condition B Vibration: MIL-STD-202, Method 204, Test Condition A Shock: MIL-STD-202, Method 213, Test Condition 1

FINISH(ES) :	APPLICABLE CARLISLE IT DOCUMENTS	TOLERANCES AND NOTES	APPROVAL	INITIALS	DATE																		
Body: Passivated Center Conductor: Gold Plating	<table border="1"> <tr> <th>WORK STANDARD</th> <th>PROD INSTRUC</th> <th>ASSY INSTRUC</th> </tr> <tr> <td>NA</td> <td>NA</td> <td>NA</td> </tr> </table>	WORK STANDARD	PROD INSTRUC	ASSY INSTRUC	NA	NA	NA	EXCEPT AS NOTED THIRD ANGLE PROJECTION SCALE 5:1 DIMENSIONS ARE IN [INCHES] MM ANGLES ±2° .XX DECIMALS ±.063 .XXX DECIMALS ±.01	<table border="1"> <tr> <th>DRAWN BY</th> <td>MM</td> <td>07.03.18</td> </tr> <tr> <th>CHECKED BY</th> <td>KM</td> <td>07.03.18</td> </tr> <tr> <th>DESIGN ENG</th> <td></td> <td></td> </tr> <tr> <th>APPR BY</th> <td></td> <td></td> </tr> </table>	DRAWN BY	MM	07.03.18	CHECKED BY	KM	07.03.18	DESIGN ENG			APPR BY				
WORK STANDARD	PROD INSTRUC	ASSY INSTRUC																					
NA	NA	NA																					
DRAWN BY	MM	07.03.18																					
CHECKED BY	KM	07.03.18																					
DESIGN ENG																							
APPR BY																							

NOTICE
 THIS DRAWING EMBODIES A CONFIDENTIAL PROPRIETARY DESIGN ORIGINATED BY CARLISLE INTERCONNECT TECHNOLOGIES & ALL DESIGN, MANUFACTURING, REPRODUCTION, USE & SALE RIGHTS REGARDING THE SAME ARE EXPRESSLY RESERVED. IT IS SUBMITTED UNDER A CONFIDENTIAL RELATIONSHIP FOR A SPECIFIED PURPOSE & THE RECIPIENT AGREES BY ACCEPTING THIS DRAWING NOT TO SUPPLY OR DISCLOSE ANY INFORMATION REGARDING IT TO ANY UNAUTHORIZED PERSON TO INCORPORATE IN OTHER PROJECTS ANY SPECIAL FEATURES PECULIAR TO THIS DESIGN. ALL PATENT RIGHTS HERETO ARE EXPRESSLY RESERVED BY CARLISLE INTERCONNECT TECHNOLOGIES, GERRITON, CALIFORNIA 90703

 Dongguan City, Guangdong P.R. China 523533
 TITLE: 3.50mm STRAIGHT JACK, EDGE MOUNT (SOLDERLESS)
 SCALE: 5:1
 SUB-DIRECTORY/OUTLINE/
 SHEET 1 OF 2
 DRAWING NO. TMB-E5F2-1L1
 REV. 4



**PCB LAYOUT
(FOR REFERENCE ONLY)**

SCALE	SUB-DIRECTORY/ _XXXX	SHEET 2 OF 2
SIZE	CAGE CODE	DRAWING NO.
C		TMB-E5F2-1L1
		REV. 4